

Parts Book

MGDF7129 2020/01/14

2506CE15TAG3

- Catalogue des pièces de rechange
- Ersatzteilliste
- Catalogo parti di ricambio
- Catálogo de repuestos

 **Perkins**[®]

THE HEART OF EVERY GREAT MACHINE



The information given within this parts book was correct at the time of printing and is subject to change without notice. Always refer to your local Perkins outlet for the latest information. Only fully trained personnel should carry out servicing of engines. Before working on any engine always refer to the correct user service and maintenance manual.

Always refer to your local Perkins outlet before purchasing any parts.

Subject to any existing rights of third parties, the information given in this document is the property of Perkins Engines Limited and should not be copied, in whole or part, without the prior written consent of the Company.

Contents

Perkins Platinum Protection	4
Introduction	5
How to use your Parts Book	5
Engine Breakdown	6
Symbols and Notes	12

Perkins Platinum Protection

Perkins Platinum Protection is the best value cover for Perkins engines. Available to purchase in flexible packages.

What benefits will I receive?

- Unbeatable value for money, with absolutely no excess to pay
- Our global network of fully trained professional Perkins technicians will ensure that you always receive a trustworthy and reliable service
- The same cover as your standard warranty - we won't charge for parts, labour, or travel when we repair your engine (subject to Terms and Conditions)

Upgrade to Perkins Platinum Protection before your standard warranty expires:

- Comprehensive cover for up to 100 percent of components*
- Flexible packages from two to five years
- Support from Perkins global network of fully trained technicians
- We will provide electrical updates at the same time as your engine repairs should you need this, in the event of a claim
- No unexpected charges in getting your engine back up and running
- Talk to your local Perkins distributor today, or visit www.perkins.com/platinumprotection for more information.

* Terms and Conditions apply

Introduction

The build list of your engine, found on the front page of this parts book, provides a unique reference to the components fitted to your engine; therefore this parts book is only applicable to this particular engine

Always quote your build list and engine serial number when contacting your Perkins outlet.

How to use your Parts Book

This parts book has been designed to provide you with all the information you need to identify parts to service your engine. There are several features within the book to make it easy to find the parts you require

Front Page

This lists your build list number and the date of publication of this book.

Symbol Descriptions

Provides a quick reference guide to the symbols used within the book.

Engine Breakdown

Use this to identify all the major sections of your engine and the relevant pages within the book.

Parts Lists & Illustrations

This section shows each major section of your engine broken down into individual part numbers along with an associated illustration for identifying the parts you require.

The illustrations used in this parts book are representational only and should only be used for identification purposes.

For fitting instructions please refer to your engine Service Manual.

Parts Index

Using either the part number or description of the part you require this section will help you locate the page within the **Parts Lists & Illustrations** section where the part appears.

Engine Breakdown

Section	Page
Exchange Precious Metal Kit ABES0200	14
Exchange Precious Metal Kit ABES0200	22
Cylinder Block Plugs ACHD0401	28
Cylinder Block & Liners ACHD0409	30
Cylinder Block & Liners ACHD0409	32
Cylinder Block Cover ACHD0402	34
Cylinder Head Plugs ACHD0403	36
Cylinder Head Cover ACHD0406	38
Crankshaft ACHD0407	40
Camshaft ACHD0408	42
Engine Identification Labels A1KFH	44
Fuel Pump Drive ACHS1170	46
Rocker Shaft Assembly ACHS1173	48
Cylinder Block Plugs ACHS1189	50
Cylinder Block Plugs ACHS1189	52
Cylinder Head Assembly ACHS1190	54
Cylinder Head Assembly ACHS1190	56
Cylinder Head Assembly ACHS1190	58
Timing Gears ACHS1194	60
Timing Gears	

ACHS1194.....	62
Timing Gears	
ACHS1194.....	64
Timing Gears	
ACHS1194.....	66
Pistons & Rings	
ADHD0053.....	68
Connecting Rods & Big End Bearings	
ADHD0053.....	70
Piston Cooling Jets	
ADHD0053.....	72
Timing Cover	
AEHD0070.....	74
Timing Case	
AEHS1070.....	76
Timing Case	
AEHS1071.....	78
Engine Control Module	
AFHD0268.....	80
Lift Pump	
AFHD0269.....	82
Atomisers	
AFHD0270.....	84
Flywheel Housing	
CDHS1100.....	86
Flywheel & Starter Ring	
CDHS1101.....	88
Starter Motor - Fixings	
E1AFH.....	90
Starter Motor	
E1CFH.....	92
Starter Motor - Blanking Cover	
EDHS1041.....	94
Fan Belt Tensioner	
F1AFH.....	96
Fan Belt Tensioner	
F1AFH.....	98
Fan Belt Tensioner	
F1AFH.....	100
Fan Belt	
F1BFH.....	102
Fan	
F1DFH.....	104

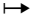
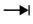












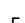



Fan Drive	
F1FFH.....	106
Fan Drive	
F1GFH.....	108
Fan - Clamping Ring	
F1LFH.....	110
Sump	
GBHD0192.....	112
Oil Strainer	
GBHD0192.....	114
Oil Pump - Fixings	
GBHS1081.....	116
Oil Pump	
GBHS1082.....	118
Filler	
GBHS1091.....	120
Dipstick	
GBHS1092.....	122
Blanking Plug	
GBHS1092.....	124
Breather Hose	
H1AFH.....	126
Breather Clip	
HBHS1032.....	128
Oil Cooler	
JBHD0398.....	130
Oil Cooler Pipes	
JBHD0398.....	132
Coolant Pipes & Connections	
JBHD0398.....	134
Oil Filter Head	
JBHS1155.....	136
Oil Filter	
JBHS1155.....	138
Oil Filter Head - Fixings	
JBHS1155.....	140
Front End Drive Input	
KBHS1053.....	142
Water Pump	
LBHD0089.....	144
Water Pump	
LBHD0090.....	146
Water Pump	

LBHD0090	148
Alternator Mounting	
N1AFH	150
Alternator Mounting	
N1AFH	152
Alternator	
N1BFH	154
Alternator Bracket & Fixings	
N1BFH	156
Alternator	
N1BFH	158
Alternator Bracket & Fixings	
N1BFH	160
Alternator Belt	
N1CFH	162
Feed Pipes	
SBHD0165.....	164
Leak-Off Pipes	
SBHD0165.....	166
Turbocharger	
SBHD0167.....	168
Heatshield	
SBHS1087.....	170
Air Filter Mounting	
T1AFH	172
Air Filter Assembly	
T1BFH	174
Air Filter Mounting	
T1BFH	176
Air Duct	
T1BFH	178
Air Duct	
T1BFH	180
Air Duct	
T1CFH	182
Pipework & Connections	
TBHD0154.....	184
Exhaust Outlet Flange	
U1AFH	186
Exhaust Outlet Gasket	
U1BFH	188
Exhaust Outlet	
U1CFH.....	190

Exhaust Manifold	
UBHS1035.....	192
Low Pressure Fuel Pipe Clips	
V1AFH	194
Low Pressure Fuel Lines	
V1BFH	196
Low Pressure Fuel Lines	
VBHS1095.....	198
Low Pressure Fuel Lines	
VBHS1095.....	200
Low Pressure Fuel Lines	
VBHS1095.....	202
Filter Head Assembly	
VBHS1096.....	204
Fuel Filter	
VBHS1096.....	206
Engine Lifting Eyes	
XBHS1032.....	208
Engine Lifting Eyes	
XBHS1033.....	210
Radiator & Hoses	
5010411	212
Radiator Coolant Level Switch	
Z1CFH	214
Radiator Hoses And Pipes	
Z1DFH	216
Radiator Hoses And Pipes	
Z1DFH	218
Radiator Guard and Fixings	
Z1FFH.....	220
Wiring Harness	
ZNHD0073.....	222
Temperature And Pressure Switch	
ZNHD0200.....	224
Speed Switch	
ZNHD0200.....	226
Speed Sensor	
ZNHD0200.....	228
Temperature Sensor	
ZNHD0200.....	230
Earth Strap	
ZNHS1038.....	232
Sensor Mounting	

ZNHS1047.....	234
Inlet Elbow Bracket	
Z1EFH	236
Wiring Harness Bracket	
Z1GFH.....	238
Wiring Harness	
Z1HFH	240
Interface Connector	
Z1MFH.....	242
Engine Mounts	
ZCHS1057.....	244

Symbols and Notes

Symbol	Description
	From Engine Number
	Upto Engine Number
	Repairs and Replaces
	See Appropriate Section - Reference Number
	Alternative
	Order
	Remanufactured Part
	New for Old Part
	Number of Teeth
	Thickness
	Bottom
	Top
	Left Hand
	Right Hand
	Reference for Detailed Breakdown
	Other Service Options Available
	Cylinder Number
	See History Section

1

Exchange Overhaul Kit

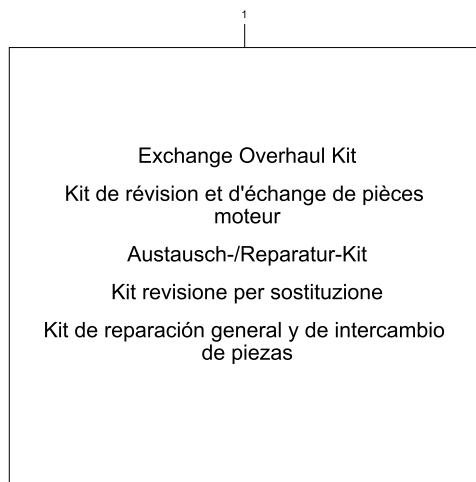
Kit de révision et d'échange de pièces
moteur






Austausch-/Reparatur-Kit




Kit revisione per sostituzione

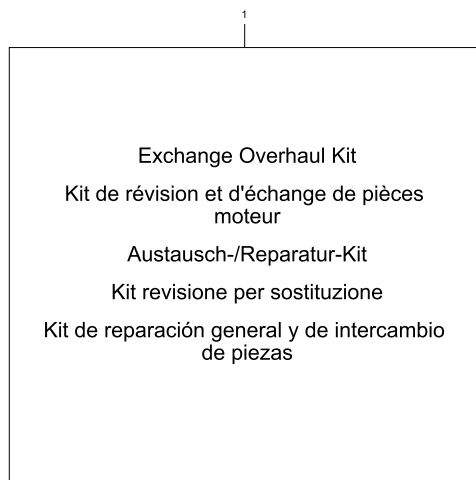
Kit de reparación general y de intercambio
de piezas


Item	Part No.	References	Qty.	Description	Notes
1	KRP9125	↔	1	ENGINE OVERHAUL KIT	(1)
2	CH11573		2	SEAL - O RING	
3	CH10340		1	SEAL - O RING	
4	CH12722		1	SEAL - O RING	
5	CH10674		6	SEAL - OIL	
6	CH10816	↔	2	SEAL - O RING	
7	CH10371		12	STUD	
8	CH10620		3	SEAL - O RING	
9	CH11979		1	GASKET	
10	CH12658		1	SEAL - O RING	
11	CH10777		6	GASKET - EXHAUST MANIFOLD	
12	CH10119		1	SEAL - O RING	
13	CH10126		1	SEAL - O RING	
14	CH10132		1	SEAL - O RING	
15	CH11621		1	SEAL - O RING	
16	CH12240		2	SEAL - O RING	
17	CH10135		3	SEAL - O RING	
18	CH12132		1	SEAL - O RING	
19	CH10146		4	SEAL - O RING	
20	CH10147		1	SEAL - O RING	
21	CH10161		2	SEAL - O RING	
22	CH12010		3	SEAL	
23	CH12721	↔	1	SEAL	
24	CH10201		2	SEAL - O RING	
25	CH12613		1	SEAL	
26	CH10228		3	SEAL - O RING	
27	CH10229		4	SEAL - O RING	
28	CH12326		1	BOLT	
29	CH10673		6	BAND	
30	CH11242		16	NUT	
31	CH10665		2	SEAL - O RING	
32	CH12661		1	SEAL - O RING	
33	CH10723		6	SEAL - O RING	
34	CH12437		1	SEAL - O RING	
35	CH12160		4	STUD	
36	CH12457		1	GASKET - BREATHER	
37	CH10310		1	GASKET	
38	CH11353		1	SEAL - ROCKER BOX COVER	
39	R/CH11399		1	CYLINDER HEAD KIT - EXCH	
40			1	SEALING RING	



Item	Part No.	References	Qty.	Description	Notes
41			1	SEAL	
42	CH11179		6	SEAL - OIL	
43			6	PISTON RING	
44	CH12662		1	HOSE	
45			6	PISTON RING	
46			6	PISTON RING	
47			1	SEAL	
48			1	SEAL - O RING	
49			1	HOUSING	
50			2	THRUST WASHER	
51		  b.	6	BEARING	
52			7	BEARING	
53	CH11379		1	SEAL - FRONT END OIL	
54	CH10677		6	SEAL - OIL	
55	R/CH10860		1	OIL PUMP - EXCHANGE	
56	CH10795		3	PLUG	
57	CH10770		1	SEAL - THERMOSTAT HOUSING	
58	CH10727		12	SEAL - O RING	

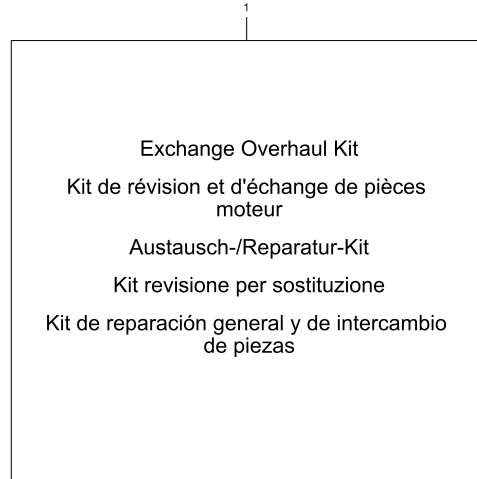
Item	Part No.	References	Qty.	Description	Notes
59	CH10766		1	SEAL - O RING	
60	CH10755		2	SEAL - O RING	
61	CH11619		1	SEAL - O RING	
62	CH12205		1	GASKET	
63	CH11561		1	GASKET	
64	CH11180		6	CYLINDER LINER	
65	CH11223		1	GASKET	
66	CH10008		1	GASKET	
67	CH11471		1	GASKET - TURBOCHARGER	
68	CH12140		10	SEAL	
69	CH11001		1	PIPE - FUEL	
70	CH11002		1	PIPE - FUEL	
71	T409314		7	SEAL - O RING	
72	T409315		1	SEAL - O RING	
73	CH11880		10	SEAL - O RING	
74	CH12118		1	GASKET - SUMP	
75	CH12119		14	SEAL	
76		 c.	1	GASKET - CYLINDER HEAD	
77	CH12631		14	BOLT	
78	CH10829	 b.	1	GASKET - TIMING CASE	
79	CH12231		1	SEAL - O RING	
80	CH11507		6	CON ROD ASSEMBLY	
81	CH12233		1	SEAL	
82	CH12165		1	SEAL - THERMOSTAT HOUSING	
83	CH12209		1	SEAL - O RING	
84	CH12528		1	SEAL - O RING	
85	CH11398		1	GASKET	
86	CH12166		1	SEAL - THERMOSTAT HOUSING	
87	CH12649		1	SEAL - O RING	
88	CH12142		1	SEAL - CYL HEAD COVER	
89	CH12530		1	SEAL	
90	CH12127		1	GASKET - IND MANIFOLD	
91	CH11978	 c.	1	PIPE - TURBO OIL FEED	
92	T406205		5	SEAL - O RING	
93	CH12569		26	CYLINDER HEAD BOLT	
94	CH11620		2	THERMOSTAT	
95	CH11992		12	CIRCLIP	
96	CH12198		1	HOSE	
97	CH12459		1	SEAL - ROCKER BOX	
98	R/CH11945		6	INJECTOR - EXCHANGE	



Item	Part No.	References	Qty.	Description	Notes
99	R/CH11946		1	TURBOCHARGER - EXCHANGE	
100	CH12157		6	GASKET	
101	CH10940		1	GASKET	
102	CH12577		1	SEAL - O RING	
103	CH10733		1	BOLT	
104	CH10734		16	NUT	
105	CH12238		2	SEAL - O RING	
106		 a.	1	LIFT PUMP	
107	R/CH12790		1	WATER PUMP - EXCHANGE	
108	CH11568		1	SEAL - O RING	
109	KRP3030		6	PISTON KIT	
110	CH10703		24	SEAL	
111	CH12318		1	SEAL - O RING	
112	CH10046		4	SEAL - O RING	
113	CH10047		1	SEAL - O RING	
114	CH10048		1	SEAL - O RING	
115	CH10050		1	SEAL - O RING	
116	CH10056		2	SEAL - THERMOSTAT HOUSING	

Item	Part No.	References	Qty.	Description	Notes
117	CH10540		1	GASKET	
118	CH12347		1	HOSE	
119	CH12147		1	SEAL - O RING	
120	CH10612		1	SEAL - O RING	
121	CH10660		2	SEAL - O RING	
122	CH12229		1	SEAL - O RING	
123	CH12480		1	SEAL - O RING	
124	CH10091		3	SEAL - O RING	
125	CH11906		1	SEAL - O RING	
126	CH10098		1	SEAL - O RING	
127	CH10102		2	WASHER	
128	CH12526		1	SEAL - O RING	
129	CH10587		1	SEAL - O RING	
Service Options					
	KRP3116/025	$\frac{3}{32}$ (-)0.025"	1	MAIN BEARING KIT - U/S	
	KRP3116/050	$\frac{1}{16}$ (-)0.050"	1	MAIN BEARING KIT - U/S	
	KRP3117/025	$\frac{3}{32}$ (+)0.025"	1	MAIN BEARING KIT - U/S	
	KRP3117/050	$\frac{1}{16}$ (+)0.050"	1	MAIN BEARING KIT - U/S	

History					
a.					
106	CH12228		1	LIFT PUMP	
b.					
51			6	BIG END BEARING KIT	
78	CH12441		1	SEAL - TIMING CASE COVER	
144		\Rightarrow	1	SEAL - INJECTOR	
145		\Rightarrow	1	SEAL - INJECTOR	
c.					
	CH10980		1	DIPSTICK ASSEMBLY	
	CH12442		1	SEAL - OIL	
	CH10284		1	PLUG	
	CH12010		1	SEAL	
	CH10046		1	SEAL - O RING	
	CH10668I		1	SEAL	
	KRP3206		1	THRUST WASHER KIT	
	KRP3122		1	MAIN BEARING KIT	
	KRP3016	\textcircled{S}	6	BIG END BEARING KIT	
	CH10929		1	OIL FILTER	
	KRP3018		6	PISTON RING KIT	
	KRP1719		1	OIL FILTER	

**History**

76	CH12454	1	GASKET - CYLINDER HEAD
91	CH12255	1	PIPE - TURBO OIL FEED

Footnotes

(1)	PRECIOUS METAL KIT
-----	--------------------

1

Exchange Overhaul Kit

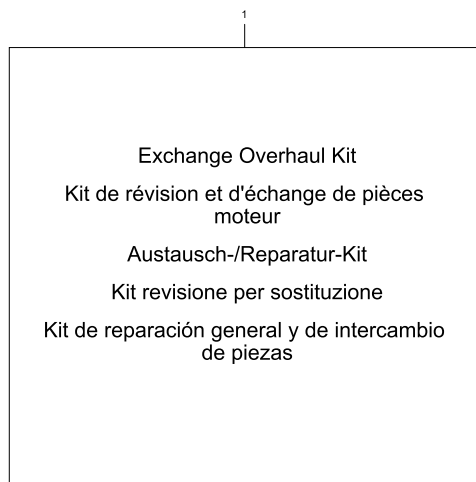
Kit de révision et d'échange de pièces
moteur



Austausch-/Reparatur-Kit




Kit revisione per sostituzione

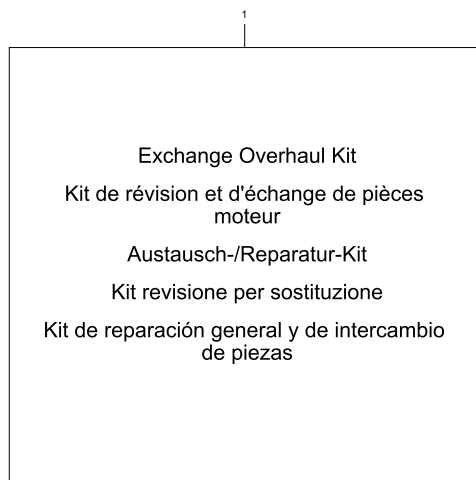
Kit de reparación general y de intercambio
de piezas


Item	Part No.	References	Qty.	Description	Notes
1	KRP9128		1	ENGINE OVERHAUL KIT	
2	CH11573		2	SEAL - O RING	
3	CH10340		1	SEAL - O RING	
4	CH12722		1	SEAL - O RING	
5	CH10674		6	SEAL - OIL	
6	CH10816	4	2	SEAL - O RING	
7	CH10620		3	SEAL - O RING	
8	CH11979		1	GASKET	
9	CH10777		6	GASKET - EXHAUST MANIFOLD	
10	CH12658		1	SEAL - O RING	
11	CH10046		4	SEAL - O RING	
12	CH10119		1	SEAL - O RING	
13	CH10047		1	SEAL - O RING	
14	CH10048		1	SEAL - O RING	
15	CH10050		1	SEAL - O RING	
16	CH10056		2	SEAL - THERMOSTAT HOUSING	
17	CH10540		1	GASKET	
18	CH12347		1	HOSE	
19	CH12147		1	SEAL - O RING	
20	CH10612		1	SEAL - O RING	
21	CH10660		2	SEAL - O RING	
22	CH12229		1	SEAL - O RING	
23	CH10126		1	SEAL - O RING	
24	CH12480		1	SEAL - O RING	
25	CH10091		3	SEAL - O RING	
26	CH11906		1	SEAL - O RING	
27	CH10098		1	SEAL - O RING	
28	CH12526		1	SEAL - O RING	
29	CH10587		1	SEAL - O RING	
30	CH10929		1	OIL FILTER	
31		⇒ CH10929	1	OIL FILTER	
32	CH12010		1	SEAL	
33	KRP1719		1	OIL FILTER	
34	CH10132		1	SEAL - O RING	
35	CH11621		1	SEAL - O RING	
36	CH12240		2	SEAL - O RING	
37	CH10135		3	SEAL - O RING	
38	CH12132		1	SEAL - O RING	
39	CH10146		4	SEAL - O RING	
40	CH10147		1	SEAL - O RING	



Item	Part No.	References	Qty.	Description	Notes
41	CH12010		3	SEAL	
42	CH10161		2	SEAL - O RING	
43	T401032	 a.	1	SEAL	
44	CH10201		2	SEAL - O RING	
45	CH12613		1	SEAL	
46	CH10228		3	SEAL - O RING	
47	CH10229		4	SEAL - O RING	
48	CH10673		6	BAND	
49	CH10665		2	SEAL - O RING	
50	CH12661		1	SEAL - O RING	
51	CH12437		1	SEAL - O RING	
52	CH10723		6	SEAL - O RING	
53	CH12457		1	GASKET - BREATHER	
54	CH10310		1	GASKET	
55	CH11353		1	SEAL - ROCKER BOX COVER	
56	CH10989		1	SEALING RING	
57	CH10668I	 c.	1	SEAL	
58	CH11179		6	SEAL - OIL	

Item	Part No.	References	Qty.	Description	Notes
59	CH12662		1	HOSE	
60			6	PISTON RING	
61			6	PISTON RING	
62			6	PISTON RING	
63	CH12442	 c.	1	SEAL - OIL	
64			1	SEAL - O RING	
65			2	THRUST WASHER	
66		 a. c.	6	BIG END BEARING KIT	
67			7	BEARING	
68	CH11379		1	SEAL - FRONT END OIL	
69	CH10677		6	SEAL - OIL	
70	R/CH10860		1	OIL PUMP - EXCHANGE	
71	CH10795		3	PLUG	
72	CH10770		1	SEAL - THERMOSTAT HOUSING	
73	CH10727		12	SEAL - O RING	
74	CH10766		1	SEAL - O RING	
75	CH10755		2	SEAL - O RING	
76	CH11619		1	SEAL - O RING	
77	CH12205		1	GASKET	
78	CH11561		1	GASKET	
79	CH11180		6	CYLINDER LINER	
80	CH11223		1	GASKET	
81	CH10008		1	GASKET	
82	CH11471		1	GASKET - TURBOCHARGER	
83	CH12140		10	SEAL	
84	CH11001		1	PIPE - FUEL	
85	CH11002		1	PIPE - FUEL	
86	T409314		7	SEAL - O RING	
87	T409315		1	SEAL - O RING	
88	CH11880		10	SEAL - O RING	
89	CH12118		1	GASKET - SUMP	
90	CH12119		14	SEAL	
91			1	GASKET - CYLINDER HEAD	
92	CH12631		14	BOLT	
93	CH10829	 c.	1	GASKET - TIMING CASE	
94	CH12231		1	SEAL - O RING	
95	CH12233		1	SEAL	
96	CH12165		1	SEAL - THERMOSTAT HOUSING	
97	CH12209		1	SEAL - O RING	
98	CH12528		1	SEAL - O RING	

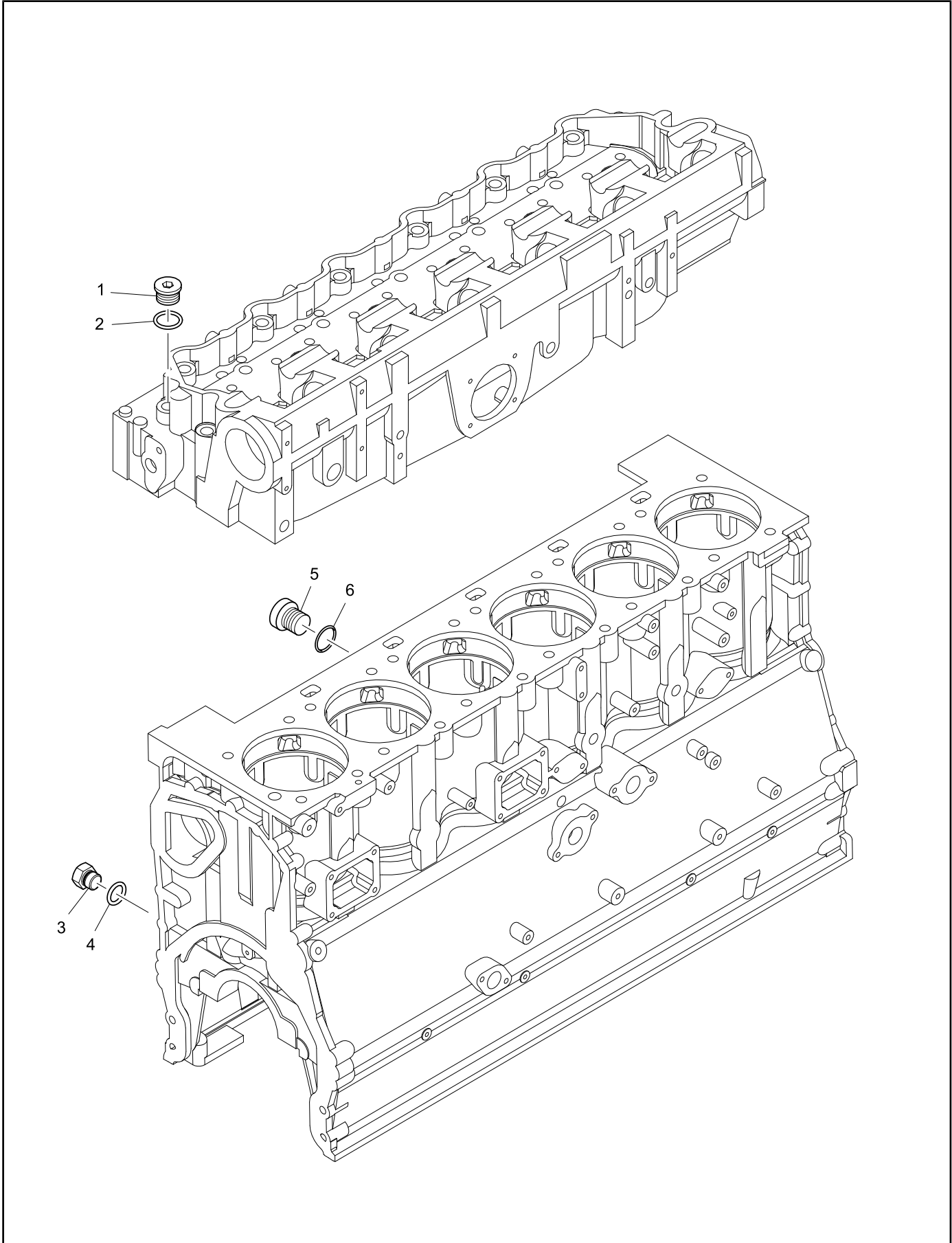


Item	Part No.	References	Qty.	Description	Notes
99	CH11398		1	GASKET	
100	CH12166		1	SEAL - THERMOSTAT HOUSING	
101	CH12649		1	SEAL - O RING	
102	CH12142		1	SEAL - CYL HEAD COVER	
103	CH12530		1	SEAL	
104	CH12127		1	GASKET - IND MANIFOLD	
105	CH11978		1	PIPE - TURBO OIL FEED	
106	T406205		5	SEAL - O RING	
107	CH11620		2	THERMOSTAT	
108	CH11992		12	CIRCLIP	
109	CH12198		1	HOSE	
110	CH12459		1	SEAL - ROCKER BOX	
111	CH12157		6	GASKET	
112	CH10940		1	GASKET	
113	CH12577		1	SEAL - O RING	
114	CH12238		2	SEAL - O RING	
115		 b. c.	1	LIFT PUMP	
116	R/CH12790		1	WATER PUMP - EXCHANGE	
117	CH11568		1	SEAL - O RING	

Exchange Precious Metal Kit	Plate A
	ABES0200

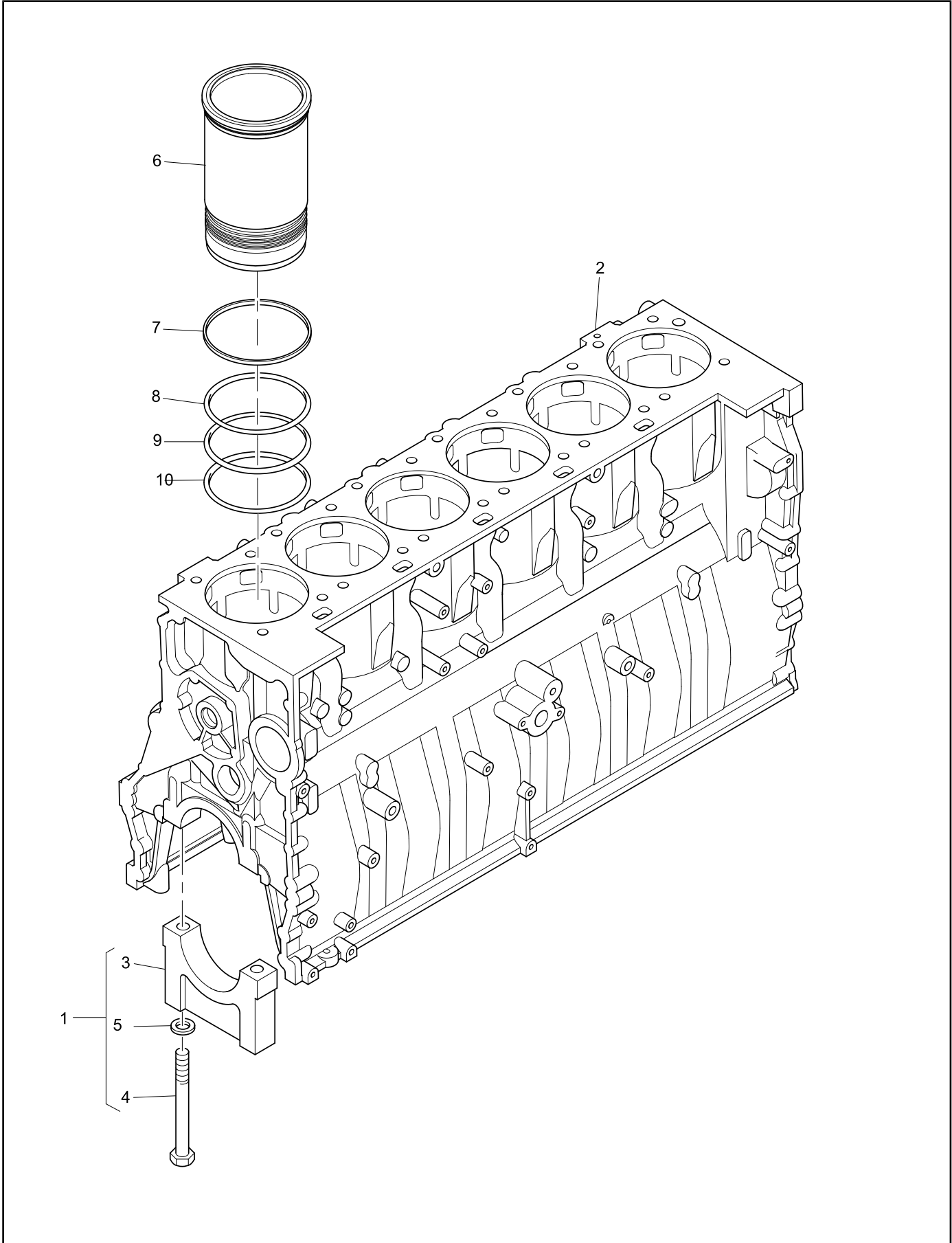
Item	Part No.	References	Qty.	Description	Notes
118	KRP3030		6	PISTON KIT	
119	CH10703		24	SEAL	
120	CH12318		1	SEAL - O RING	










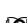


History					
a.					
	CH10284		1	PLUG	
			1	HOUSING	
	CH12010		1	SEAL	
			1	HOUSING	
	CH10046		1	SEAL - O RING	
		⇒	1	OIL FILTER	
	CH10929		1	OIL FILTER	
43	CH12721		1	SEAL	
66			6	BEARING	
b.					
115	T400130		1	LIFT PUMP	
c.					
57			1	SEAL	
63			1	SEAL	
66			6	BIG END BEARING KIT	
93	CH12441		1	SEAL - TIMING CASE COVER	
115	CH12228		1	LIFT PUMP	






Cylinder Block Plugs	Plate A
	ACHD0401

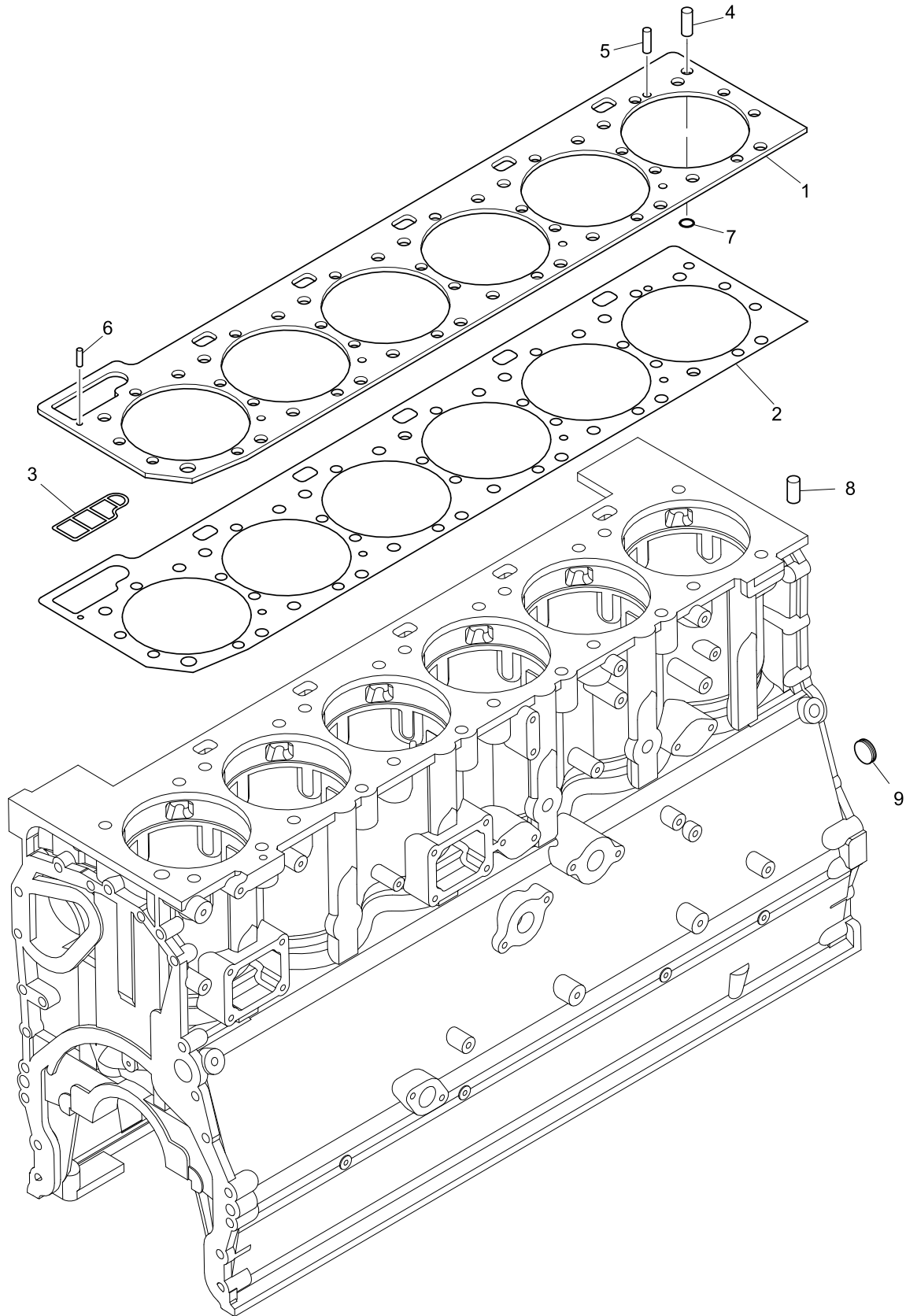
Item	Part No.	References	Qty.	Description	Notes
1	CH10287		1	PLUG	
2	T406205		1	SEAL - O RING	
3	CH10285		1	PLUG	
4	T409314		1	SEAL - O RING	
5	CH10287		1	PLUG	
6	CH10146		1	SEAL - O RING	










Item	Part No.	References	Qty.	Description	Notes
1	T400909	 a. c.	1	CRANKCASE	
2		 c.  T400909	1	CYLINDER BLOCK	
3		 a. c.  T400909	7	BEARING CAP	
4	T400209	 a. b. c.	14	BOLT	
5	CH10672	 a. c.	14	WASHER	
6	CH11180	 a. c.	6	CYLINDER LINER	
7	CH10673	 a. c.	6	BAND	
8	CH10674	 a. c.	6	SEAL - OIL	
9	CH10677	 a. c.	6	SEAL - OIL	
10	CH11179	 a. c.	6	SEAL - OIL	

History

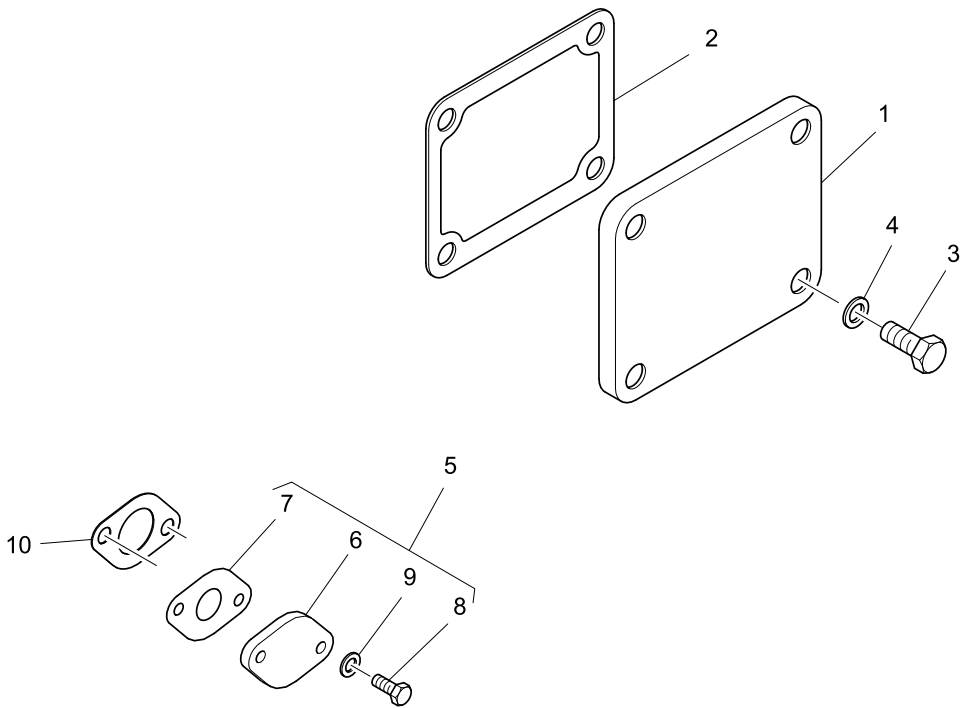
a.					
3			7	BEARING CAP	
5	CH10672		14	WASHER	
10	CH11179		6	SEAL - OIL	
4	T400209		14	BOLT	
9	CH10677		6	SEAL - OIL	
1	T400208		1	CRANKCASE	
6	CH11180		1	CYLINDER LINER	
7	CH10673		6	BAND	
8	CH10674		6	SEAL - OIL	
b.					
4			14	BOLT	
c.					
5	CH10672		14	WASHER	
6	CH11180		6	CYLINDER LINER	
2			1	CYLINDER BLOCK	
4	CH10679		14	BOLT	
3			1	BEARING CAP	
1	CH12546		1	CRANKCASE	
7	CH10673		6	BAND	
8	CH10674		6	SEAL - OIL	
9	CH10677		6	SEAL - OIL	
10	CH11179		6	SEAL - OIL	










Item	Part No.	References	Qty.	Description	Notes
1	CH10662	 b.	1	SPACER	
2		  KRP1529	1	GASKET	
3		  KRP1529	1	SEAL	
4	CH10661		1	DOWEL	
5	CH10656		1	DOWEL	
6	CH10659		1	DOWEL	
7	CH10660		1	SEAL - O RING	(1)
8	CH10658	 a.	2	DOWEL	
9	T400206	 a.	2	PLUG	

History					
a.					
	CH10657		2	SEAL - O RING	
	CH10658		2	DOWEL	
	CH10666		2	PLUG	
	CH10667		1	SEAL - O RING	
8	CH10221		5	PLUG	
9	CH10568		2	PLUG	
10	CH10664		1	PLUG	
b.					
1	CH11398		1	GASKET	
c.					
	CH10663		1	PLUG	

Footnotes	
(1)	ALSO INCLUDED IN KRP1529



Item	Part No.	References	Qty.	Description	Notes
1	CH10580	 a.	1	COVER	
2	CH10579		1	GASKET	
3	CH11895	 a.	4	BOLT	
4	CH10255	 a.	4	WASHER	
5	KRP1532	 a.	1	PLATE KIT	
6		 KRP1532	1	COVER	
7	CH10561		1	GASKET - BLANKING PLATE	
8	CH10537		2	BOLT	
9	CH10541		2	WASHER	
10	CH11560		1	SEAL	

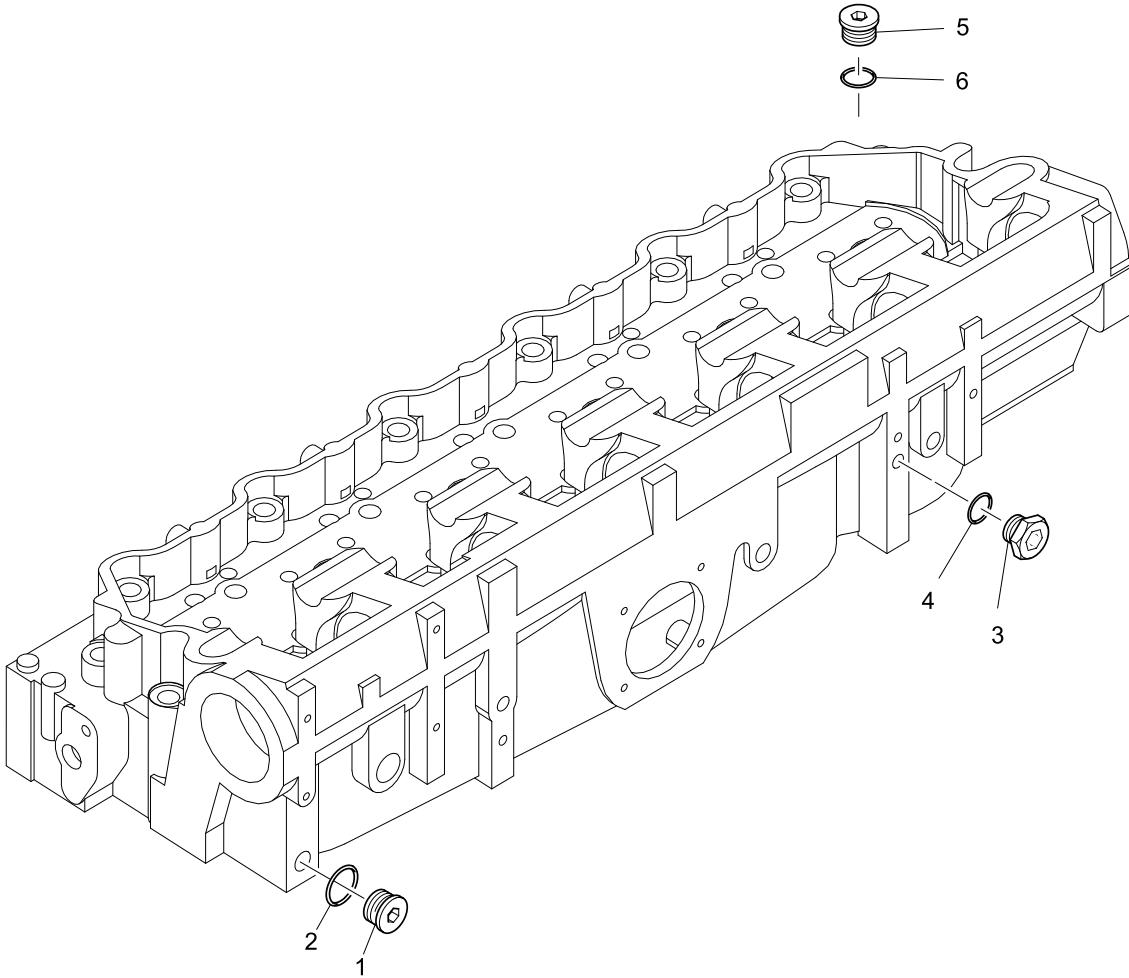
History




a.


	CH10541		2	WASHER	
	CH10561		1	GASKET - BLANKING PLATE	
			1	COVER	
	CH10537		2	BOLT	
1	KRP1532		1	PLATE KIT	
3	CH10579		1	GASKET	
4	CH10815		2	BOLT	
5	CH11560		1	SEAL	(1)

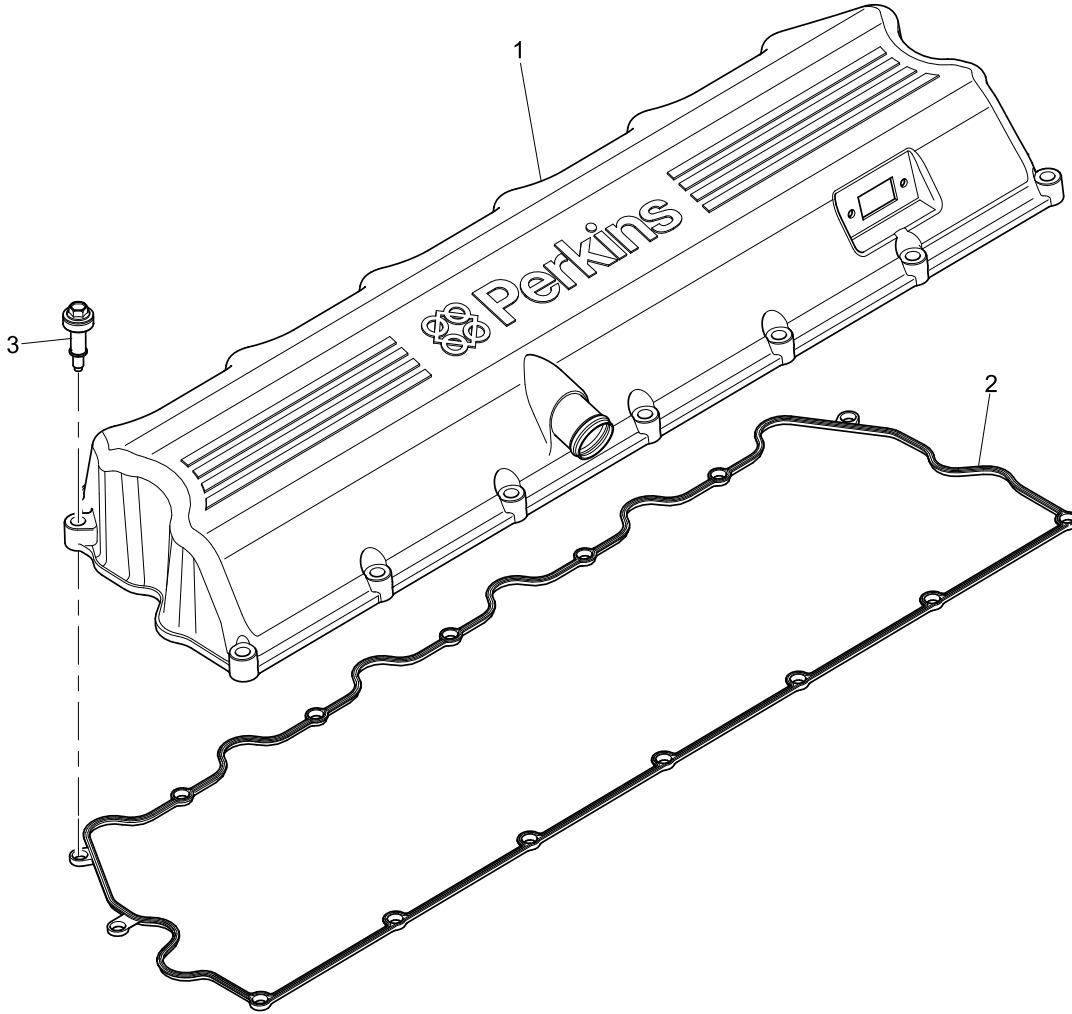
Footnotes

(1) NOT ILLUSTRATED



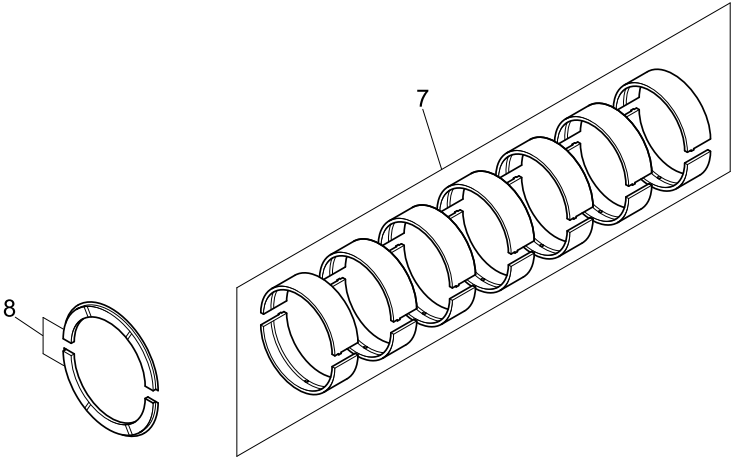
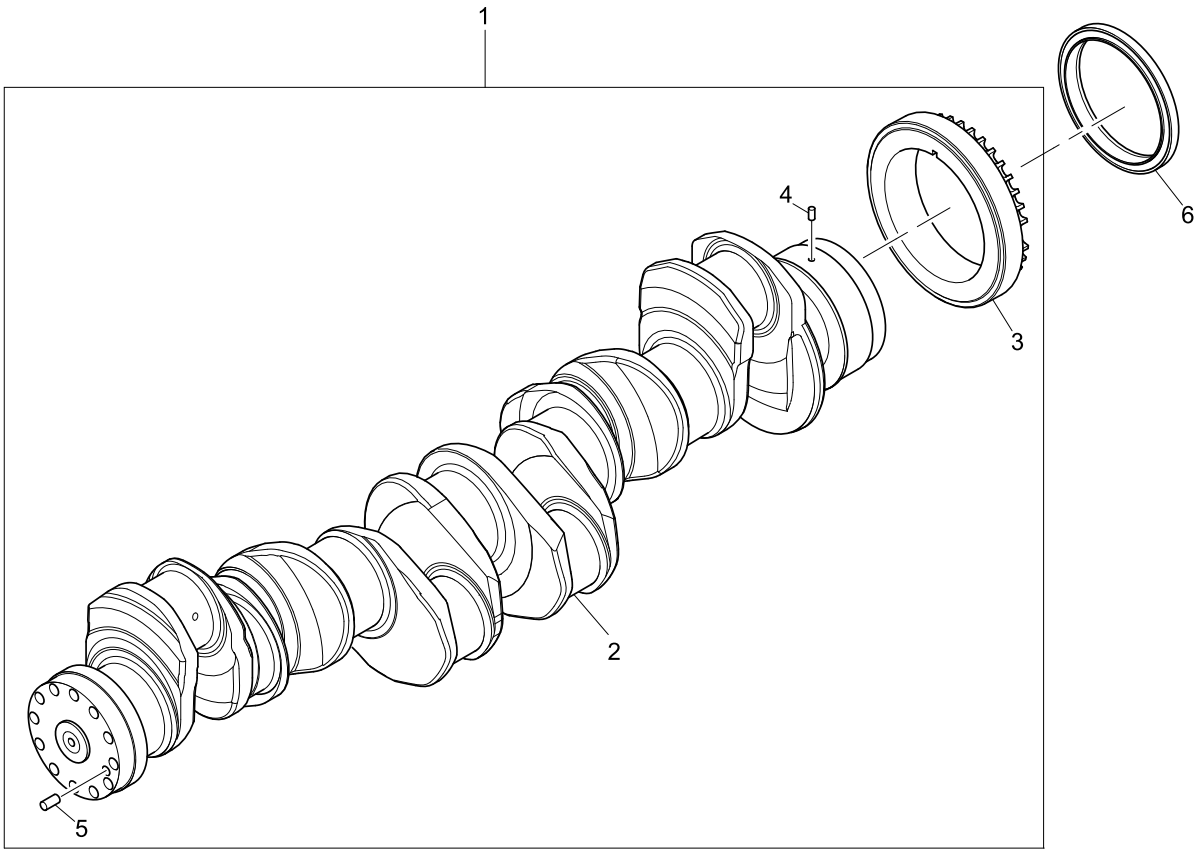
Item	Part No.	References	Qty.	Description	Notes
1	T400429	 a.	1	PLUG	
2	CH10119		1	SEAL - O RING	
3	T400427	 a.	4	PLUG	
4	CH11880		4	SEAL - O RING	
5	T400428	 a.	1	PLUG	
6	CH10146		1	SEAL - O RING	

History					
a.					
1	CH11375		1	PLUG	
3	CH10286		4	PLUG	
5	CH10287		1	PLUG	
b.					
	CH10133		1	SEAL - O RING	
	CH11928		4	PLUG	
			1	PLUG	
	CH10287		1	PLUG	
	CH10230		1	SEAL - O RING	
c.					
			1	PLUG	













Cylinder Head Cover	Plate A
	ACHD0406

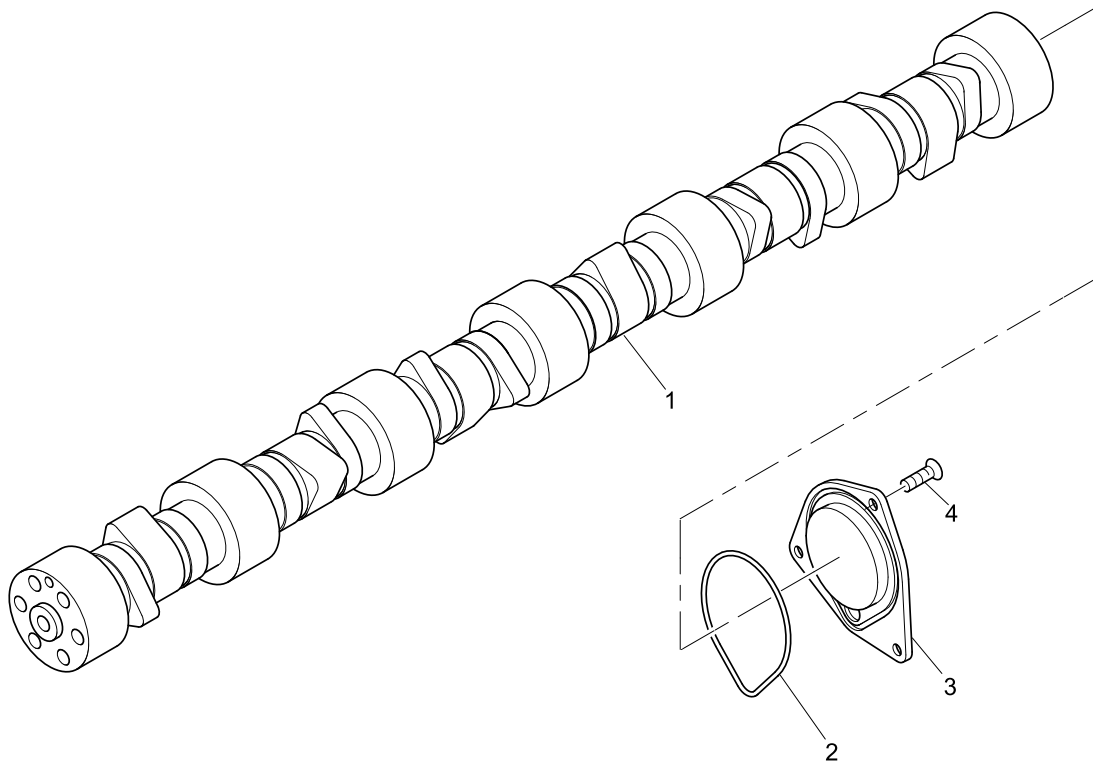
Item	Part No.	References	Qty.	Description	Notes
1	CH11512		1	CYL HEAD COVER ASSY	
2	CH11353		1	SEAL - ROCKER BOX COVER	
3	CH10955		15	FASTENER	



Crankshaft	Plate A
	ACHD0407

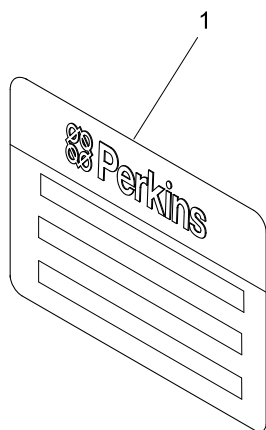
Item	Part No.	References	Qty.	Description	Notes
1	CH12792	 a.	1	CRANKSHAFT ASSEMBLY	
2		 CH12792	1	CRANKSHAFT	
3	CH12793	  a.	1	CRANKSHAFT GEAR	
4	CH10653		1	DOWEL	
5	CH10652		1	PIN	
6	CH11379		1	SEAL - FRONT END OIL	
7	KRP3122	  b.	1	MAIN BEARING KIT	
8	KRP3206		1	THRUST WASHER KIT	
Service Options					
7			1	MAIN SHELL BEARING	(-)0.63MM
7			1	MAIN SHELL BEARING	(-)0.127MM
7			1	MAIN SHELL BEARING	(+)0.63MM
7			1	MAIN SHELL BEARING	(+)-0.63MM
7	KRP3116/025	 (-)0.025"	1	MAIN BEARING KIT - U/S	
7	KRP3116/050	 (-)0.050"	1	MAIN BEARING KIT - U/S	
7	KRP3117/025	 (+)0.025"	1	MAIN BEARING KIT - U/S	
7	KRP3117/050	 (+)0.050"	1	MAIN BEARING KIT - U/S	

History					
a.					
1	CH11986		1	CRANKSHAFT ASSEMBLY	
3	CH11687		1	CRANKSHAFT GEAR	
b.					
7	KRP3118		1	MAIN BEARING KIT	



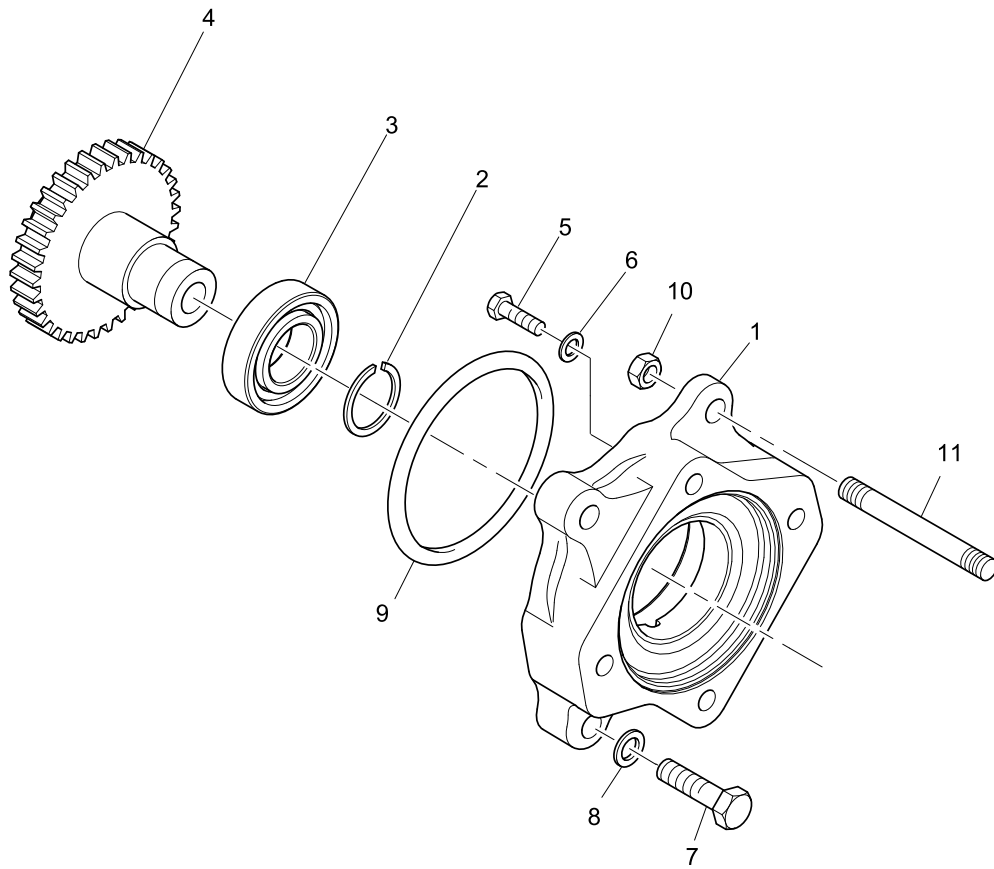
Camshaft	Plate A
	ACHD0408

Item	Part No.	References	Qty.	Description	Notes
1	CH11988		1	CAMSHAFT	
2	CH10587		1	SEAL - O RING	
3	CH10588		1	COVER	
4	CH10589		3	SCREW	




Engine Identification Labels	Plate A
	A1KFH

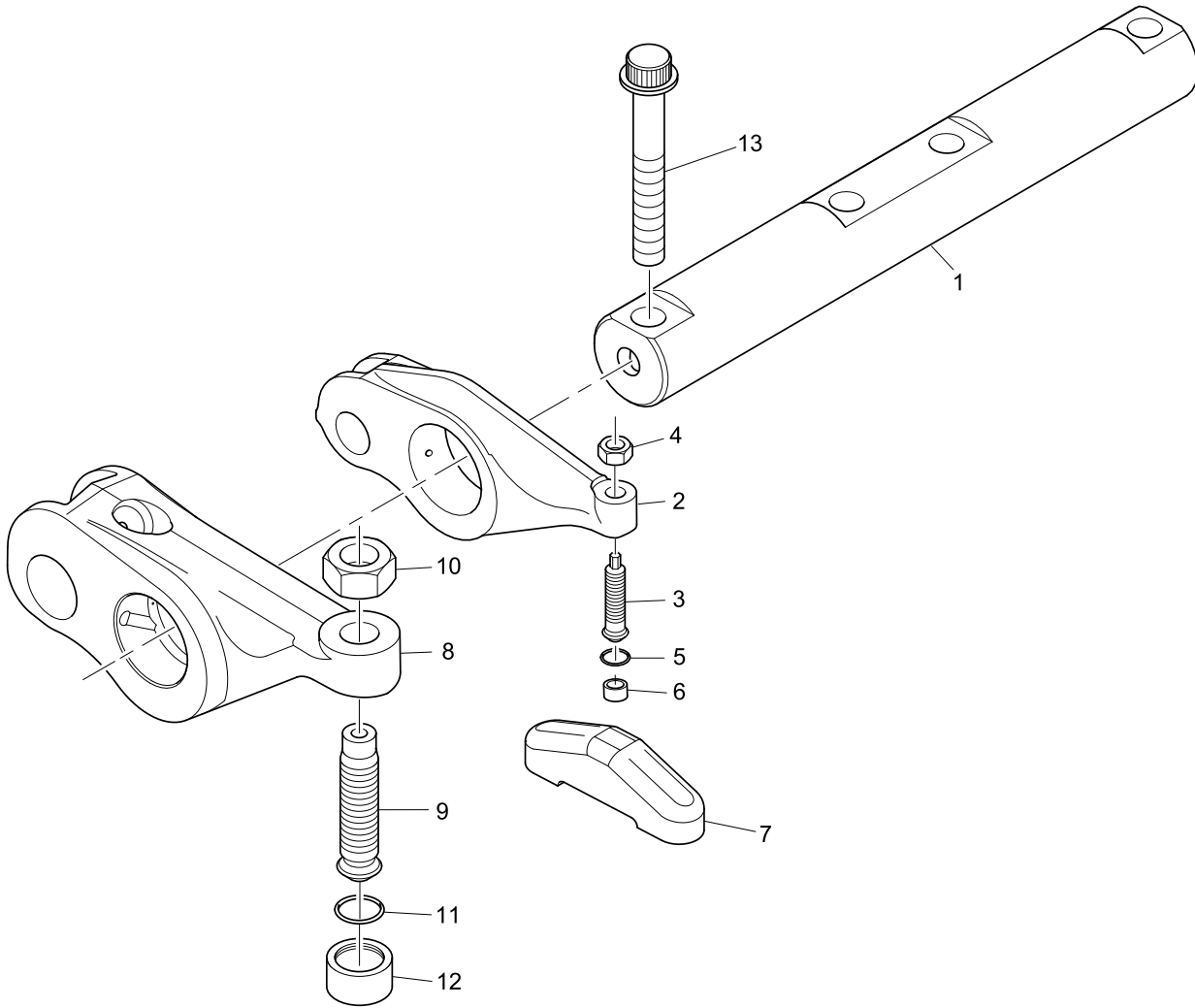
Item	Part No.	References	Qty.	Description	Notes
1	CH11083		1	NAMEPLATE	










Fuel Pump Drive	Plate A
	ACHS1170

Item	Part No.	References	Qty.	Description	Notes
1	CH10594		1	ADAPTOR	
2	CH10581		1	SNAP RING	
3	CH10004		2	BALL BEARING	
4	CH10592		1	FUEL INJECTION PUMP GEAR	
5	CH10583		3	BOLT	
6	CH10593		3	WASHER	
7	CH10550		3	BOLT	
8	CH10255	 a.	4	WASHER	
9	CH10590		1	SEAL - O RING	
10	CH10798		1	NUT	
11	CH12764		1	STUD	

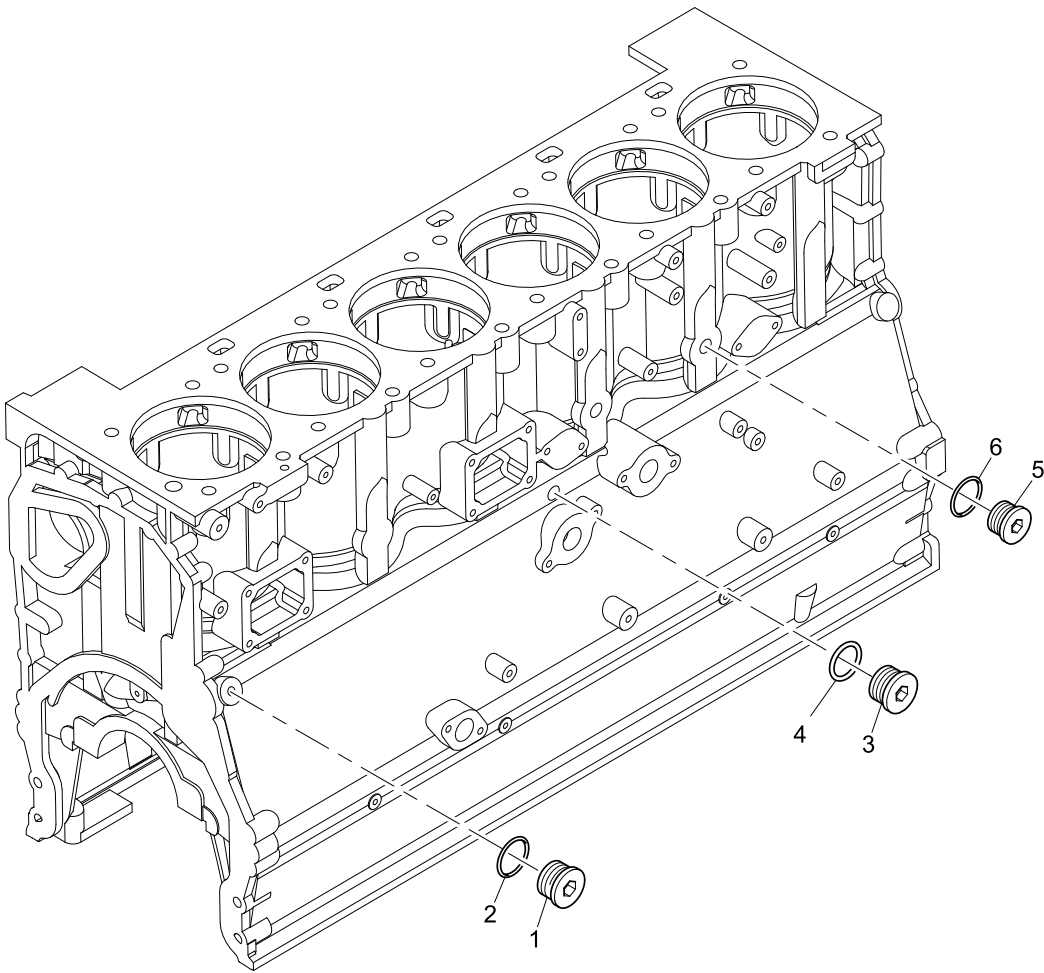
History					
a.					
	CH10567		1	BOLT	
8	CH10541		4	WASHER	





Item	Part No.	References	Qty.	Description	Notes
1	CH12695	 c.	3	ROCKER SHAFT	
2	T400223	 b.	12	ROCKER ARM ASSEMBLY	
3	CH12701	 c. e.	12	SCREW	
4	T400403	 a. c.	12	NUT	
5	CH10229		12	SEAL - O RING	
6	CH12702	 c. d.	12	PIVOT	
7	CH12831	 b.	12	BRIDGE PIECE	
8	T400224	 b. c.	6	ROCKER ARM ASSEMBLY	
9	CH11076		6	SCREW	
10	CH11077		6	NUT	
11	CH11079		6	SEAL - O RING	
12	CH11078		6	BUTTON	
13	CH10566		4	BOLT	

History

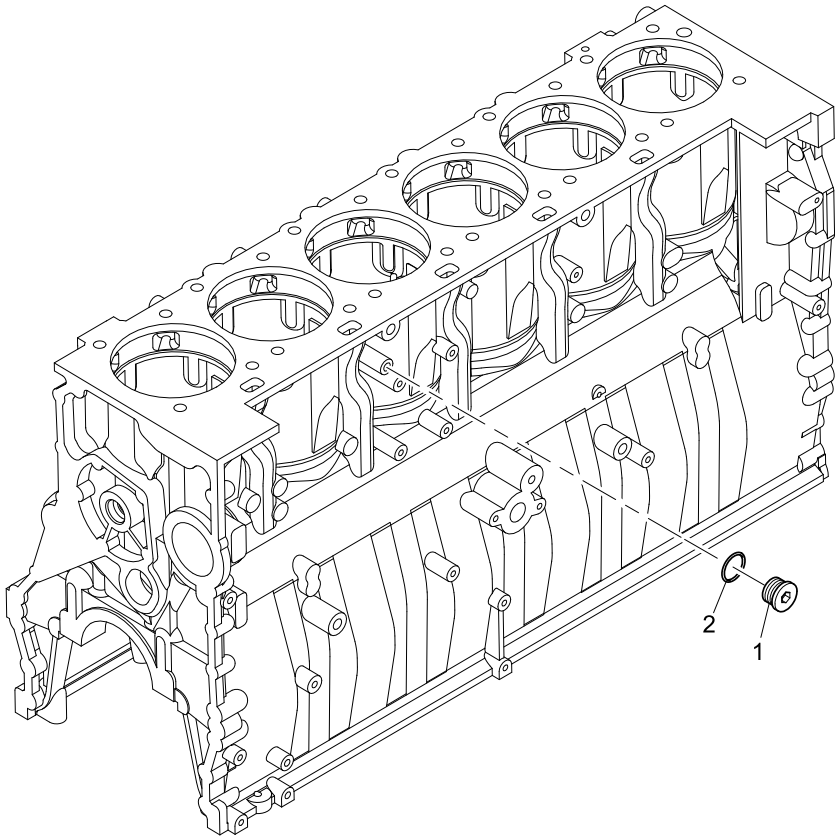
a.					
4	CH12697		12	NUT	
b.					
2	CH11165		12	ROCKER ARM ASSEMBLY	
7	CH10680		12	BRIDGE	
8	CH12698		6	ROCKER ARM ASSEMBLY	
c.					
1	CH10685		3	ROCKER SHAFT	
3	CH11916		12	SCREW	
4	CH10688		12	NUT	
6	CH12510		12	PIVOT	
8	CH11161		6	ROCKER ARM ASSEMBLY	
d.					
6	CH10689		12	BUTTON	
e.					
3	CH11162		12	SCREW	



Cylinder Block Plugs	Plate A
	ACHS1189

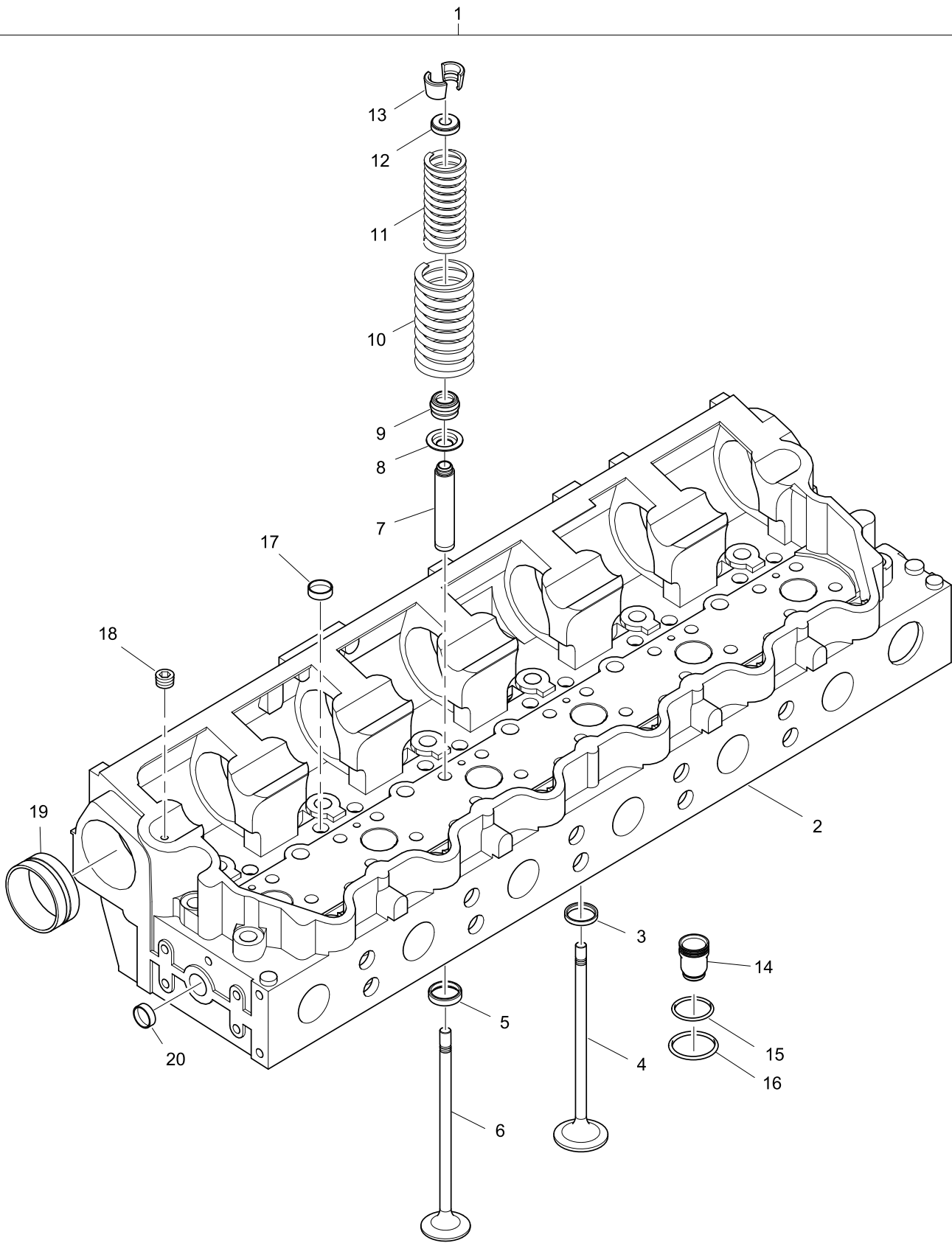
Item	Part No.	References	Qty.	Description	Notes
1	CH11375		1	PLUG	
2	T400188	 a.	1	SEAL - O RING	
3	CH10287		6	PLUG	
4	T406205	 a.	6	SEAL - O RING	
5	CH10287		2	PLUG	
6	CH10146		2	SEAL - O RING	

History					
a.					
2	CH11479		1	SEAL - O RING	
4	CH10230		6	SEAL - O RING	



Cylinder Block Plugs	Plate B
	ACHS1189

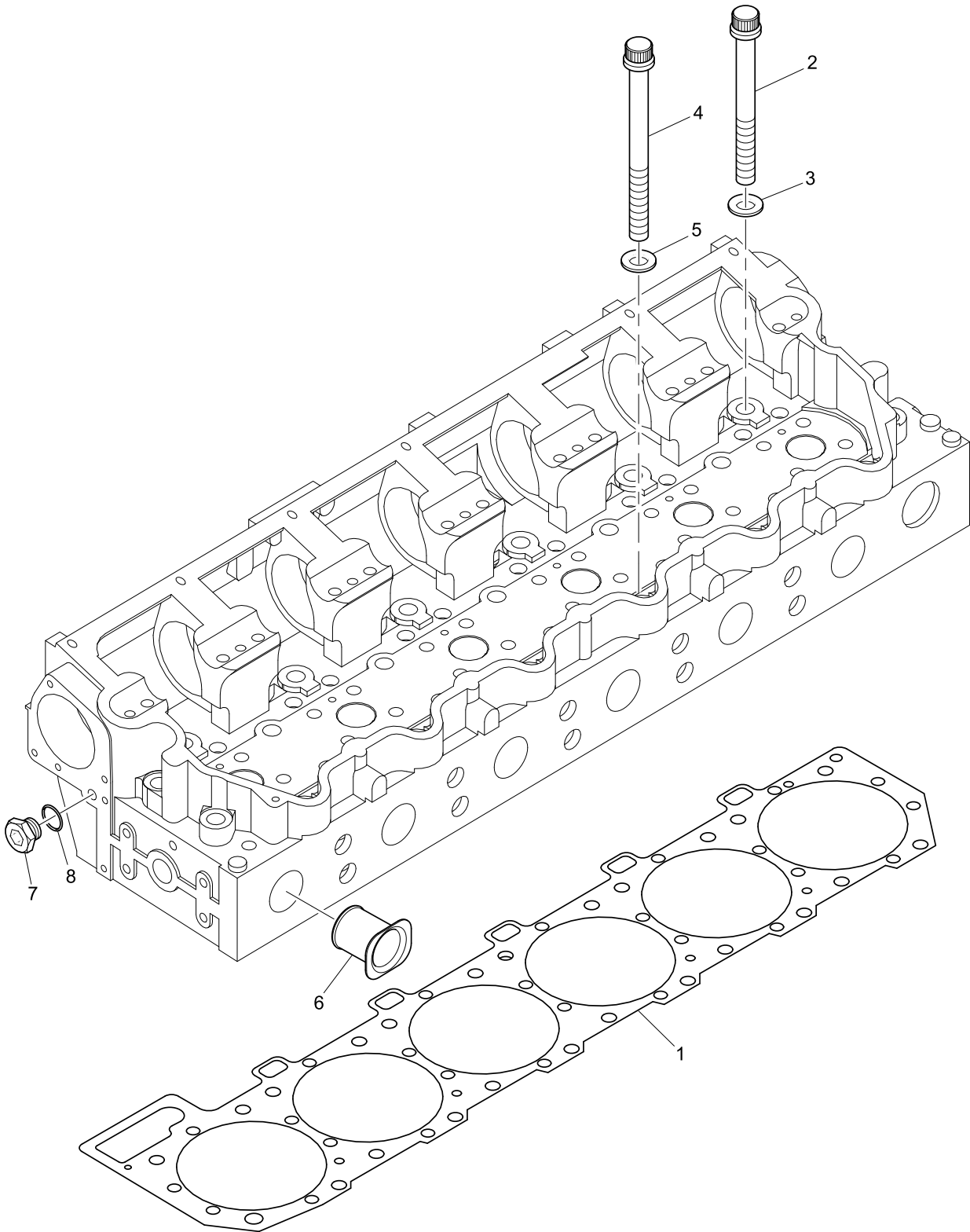
Item	Part No.	References	Qty.	Description	Notes
1	CH10287		1	PLUG	
2	CH10146		1	SEAL - O RING	



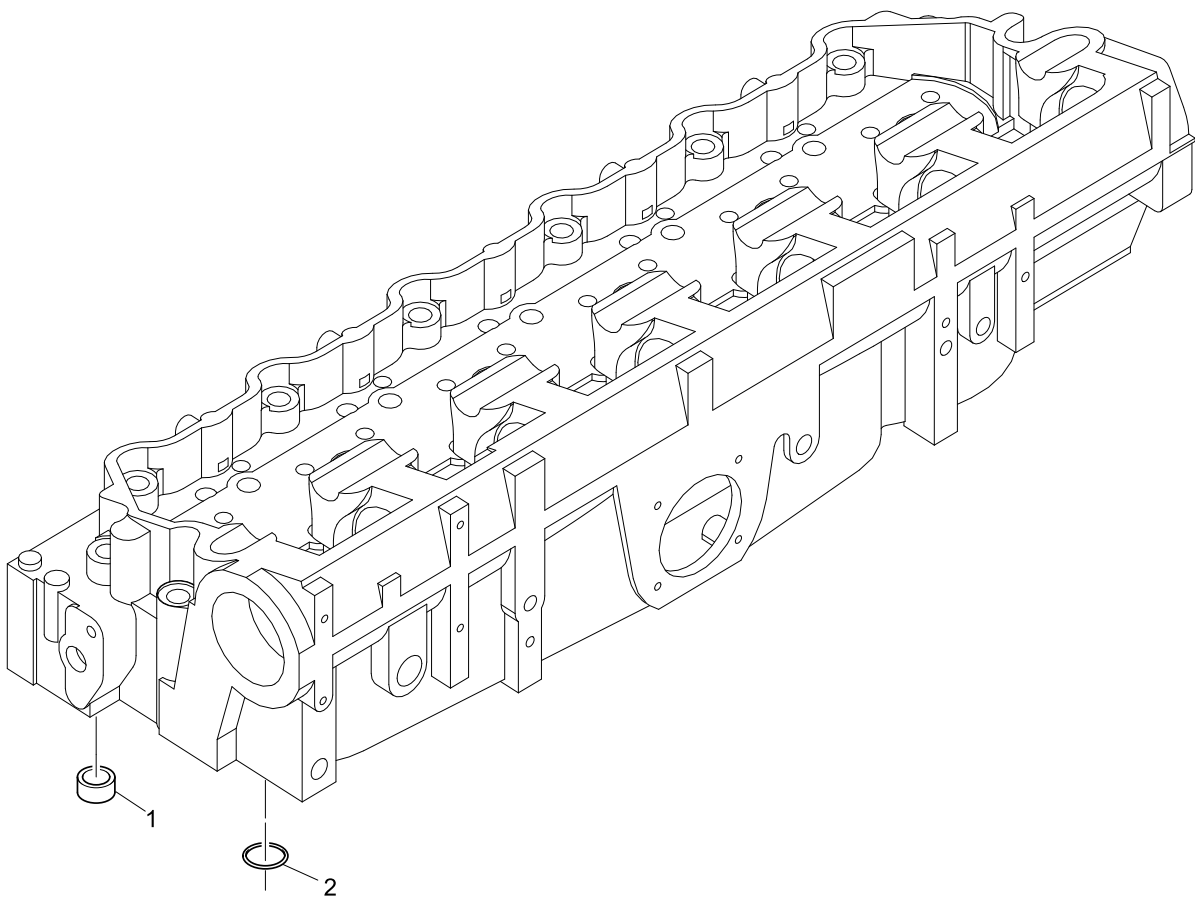
Item	Part No.	References	Qty.	Description	Notes
1	CH11399		1	CYLINDER HEAD ASSEMBLY	
2		CH11399	1	CYLINDER HEAD	
3	T400215	a.	12	VALVE SEAT INSERT	
4	CH11021		12	INTAKE VALVE	
5	T400216	a.	12	VALVE SEAT INSERT	
6	CH11022		12	EXHAUST VALVE	
7	CH10724		24	VALVE GUIDE	
8	CH10716	b.	24	WASHER	
9	CH11486		24	SEAL - VALVE STEM	
10	CH12798	a.	24	VALVE SPRING OUTER	
11	CH11489		24	VALVE SPRING INNER	
12	CH10715		24	SEAT	
13	CH10019		48	VALVE COLLET	
14	CH12582	a.	6	SLEEVE	
15	CH10727	a.	12	SEAL - O RING	
16	CH10723		6	SEAL - O RING	
17	CH10032		17	PLUG	
18	CH10258		3	PLUG	
19	CH11228		7	CAMSHAFT BUSH	
20	CH10722		20	PLUG	
21	CH10286		2	PLUG	
22	CH11880		2	SEAL - O RING	
Service Options					
1	R/CH11399		1	CYLINDER HEAD KIT - EXCH	
3	T403328		12	VALVE SEAT INSERT	
3	T403327		12	VALVE SEAT INSERT	
5	T403330		12	VALVE SEAT INSERT	
5	T403329		12	VALVE SEAT INSERT	

History

a.					
	CH10726		6	SEAL - O RING	
3	CH10731		12	VALVE SEAT INSERT	
5	CH10732		12	VALVE SEAT INSERT	
10	CH11487		24	VALVE SPRING OUTER	
14	CH11311		6	SLEEVE	
15	CH10727		6	SEAL - O RING	
b.					
8	CH11485		24	WASHER	



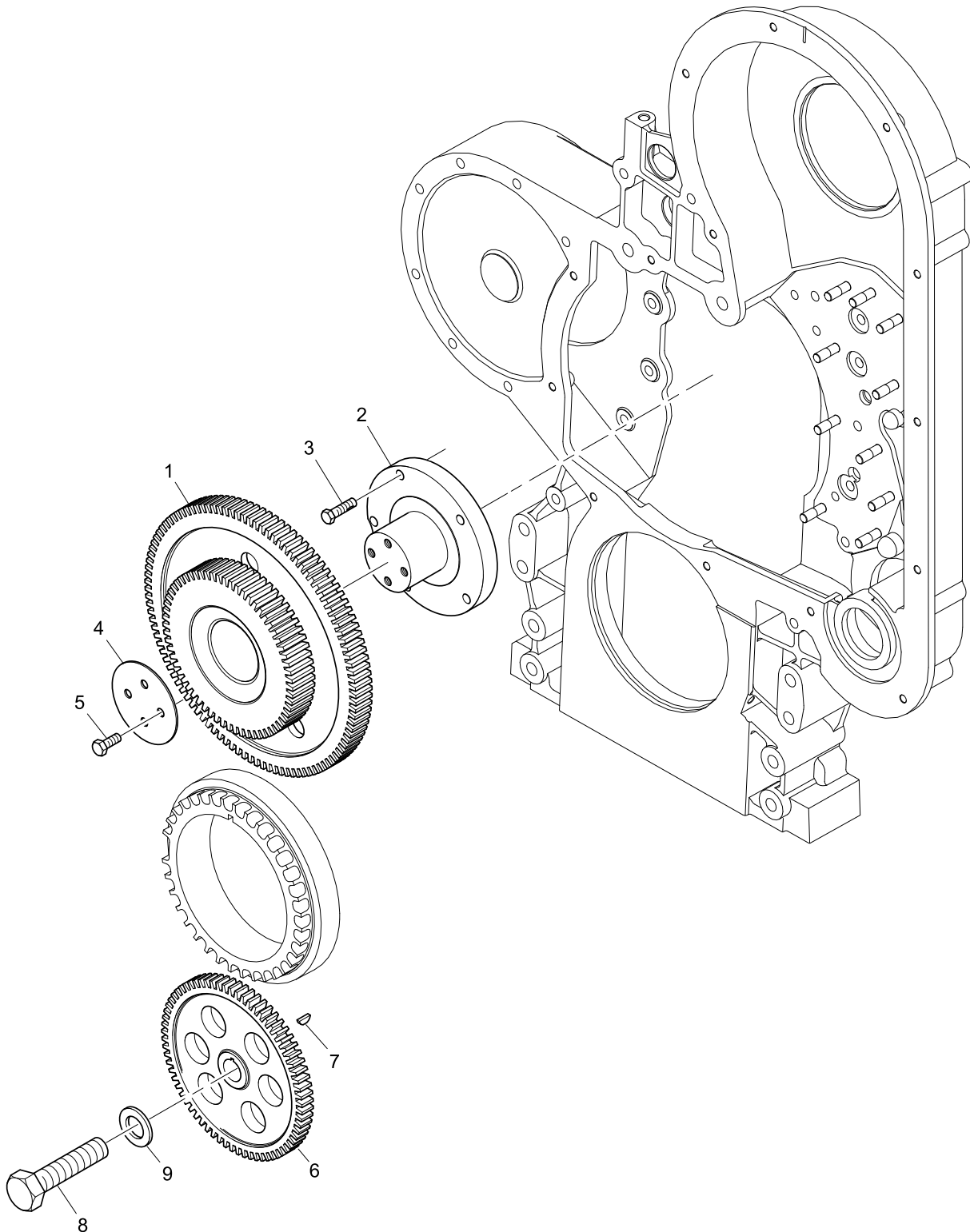
Item	Part No.	References	Qty.	Description	Notes
1		⇒ KRP1529	1	GASKET - CYLINDER HEAD	
2	CH10712		16	BOLT	
3	CH10711		16	WASHER	
4	CH10713		10	BOLT	
5	CH10711		10	WASHER	
6	CH10708		6	SLEEVE	
7	CH10286		3	PLUG	
8	CH10133		3	SEAL - O RING	




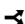
Cylinder Head Assembly	Plate C
	ACHS1190

Item	Part No.	References	Qty.	Description	Notes
1	CH10703		24	SEAL	(1)
2	CH10660		1	SEAL - O RING	(1)

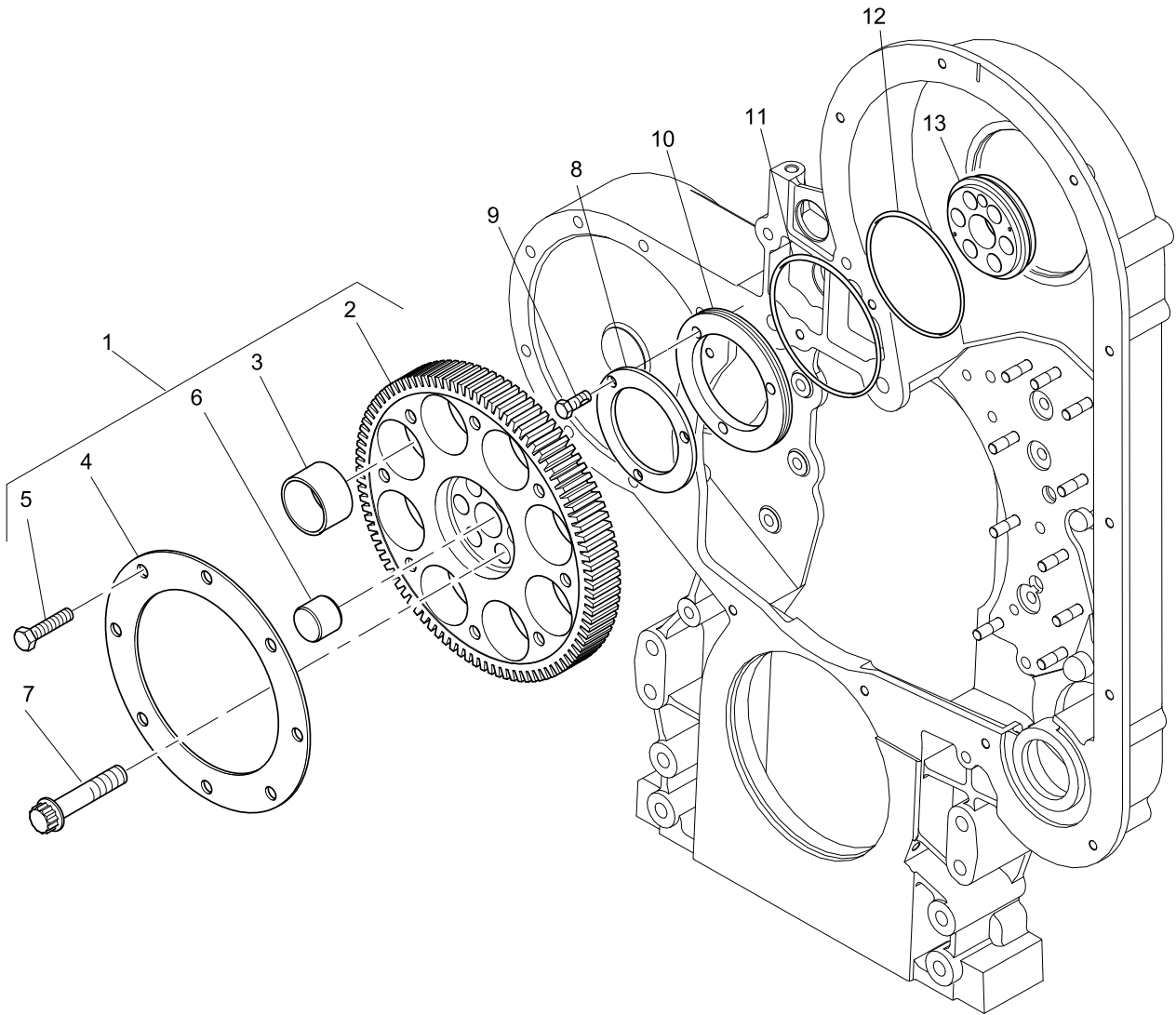
Footnotes					
(1)	ALSO INCLUDED IN KRP1529				



Timing Gears	Plate A
	ACHS1194

Item	Part No.	References	Qty.	Description	Notes
1	CH11526	 a.	1	IDLER GEAR	
2	CH10876		1	SHAFT KIT	
3	CH10611		5	BOLT	
4	CH10619		1	PLATE	
5	CH10621		4	BOLT	
6	CH10622		1	OIL PUMP GEAR	
7	CH10005		1	WOODRUFF KEY	
8	CH10609		1	BOLT	
9	CH10610		1	WASHER	

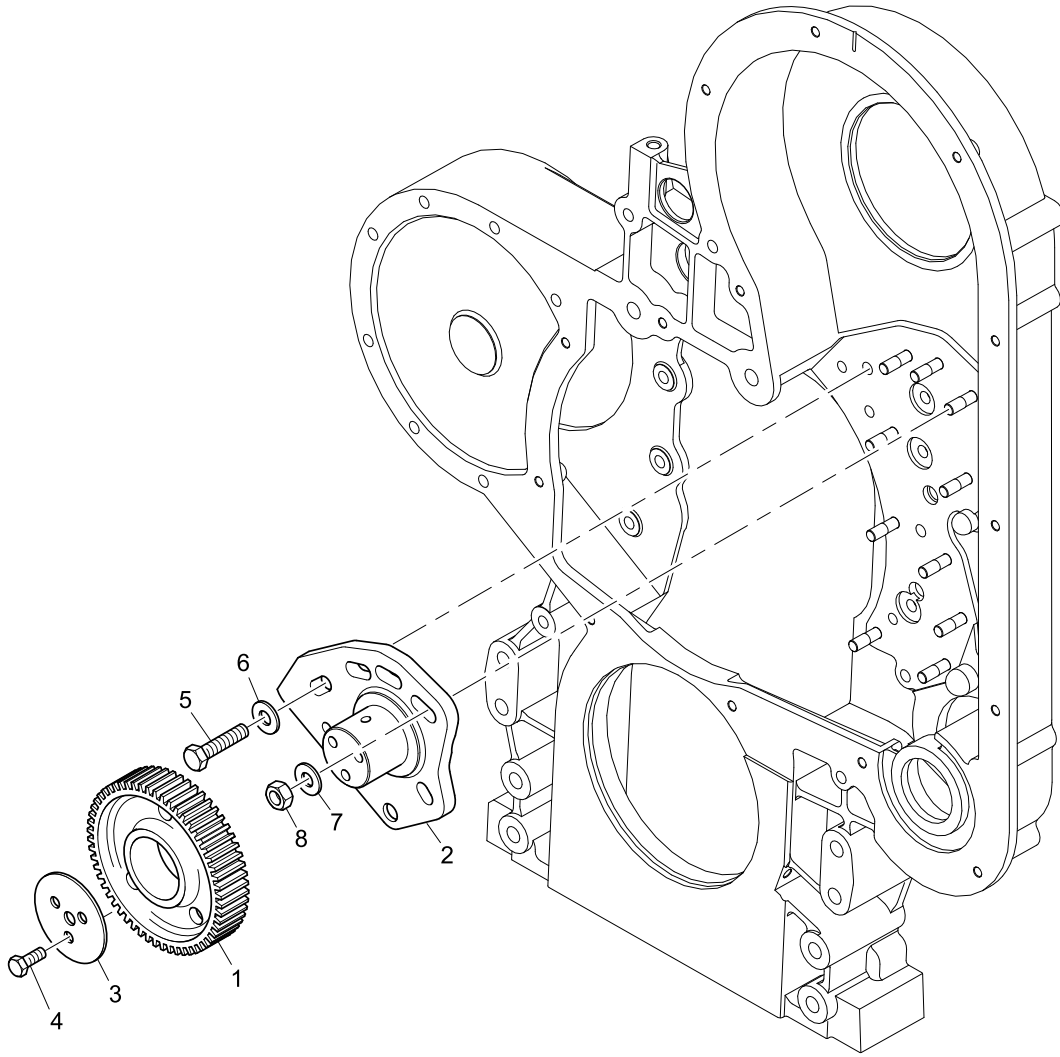
History					
a.					
1	CH10963		1	IDLER GEAR	



Item	Part No.	References	Qty.	Description	Notes
1	T400235	 a.	1	CAMSHAFT GEAR	
2		 a.  T400235	1	CAMSHAFT GEAR	
3		 T400235	8	ROLLER	
4		 a.  T400235	1	PLATE	
5	CH10609	 a.  a.	8	BOLT	
6	CH10641	 a.	1	DOWEL	
7	CH10616		6	BOLT	
8	CH10617		1	PLATE	
9	CH10618		3	BOLT	
10	CH10625		1	GASKET	
11	CH10620		1	SEAL - O RING	
12	CH10612		1	SEAL - O RING	
13	CH10627		1	ADAPTOR	

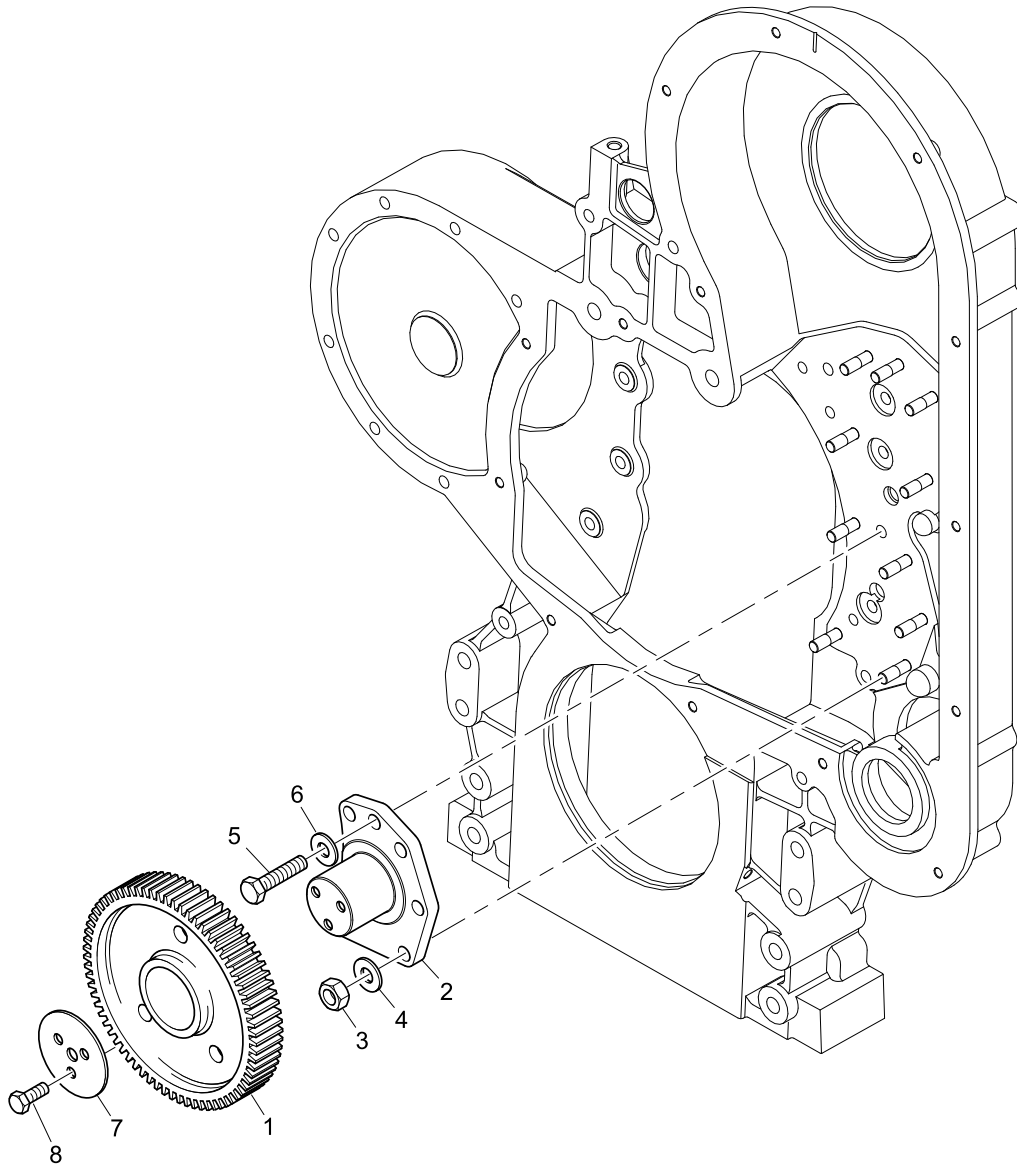
History**a.**

1	CH10910		1	CAMSHAFT GEAR	
2			1	CAMSHAFT GEAR	
4			2	PLATE	
5	CH10641		1	DOWEL	
6	CH10639		16	BOLT	



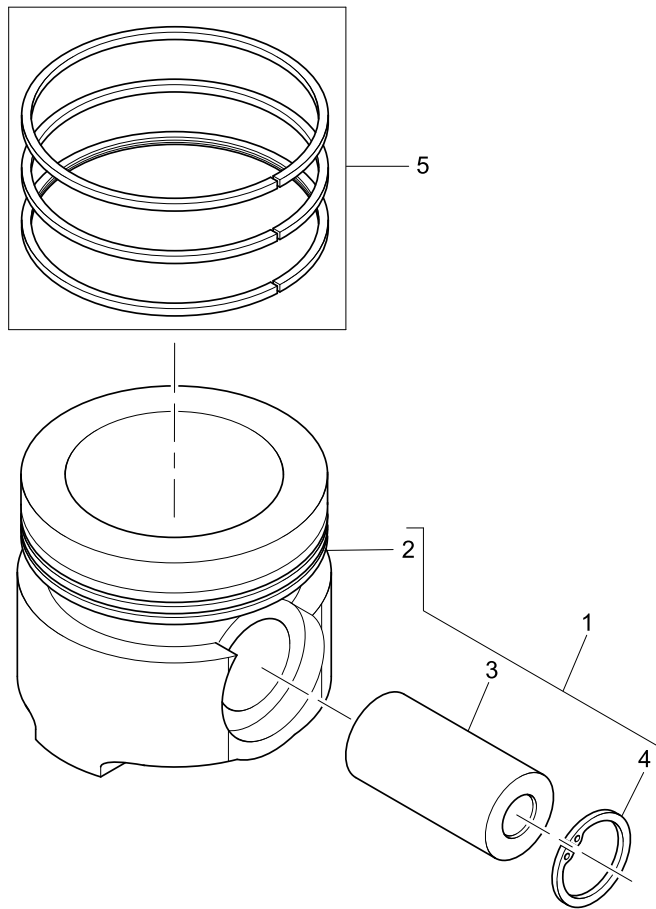
Timing Gears	Plate C
	ACHS1194



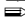
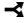

Item	Part No.	References	Qty.	Description	Notes
1	CH10635		1	IDLER GEAR	
2	CH10623		1	SHAFT KIT	
3	CH10614		1	PLATE	
4	CH10621		3	BOLT	
5	CH10609	↖	1	BOLT	
6	CH10615		1	WASHER	
7	CH10615		5	WASHER	
8	CH10290	↖	5	NUT	




Timing Gears	Plate D
	ACHS1194

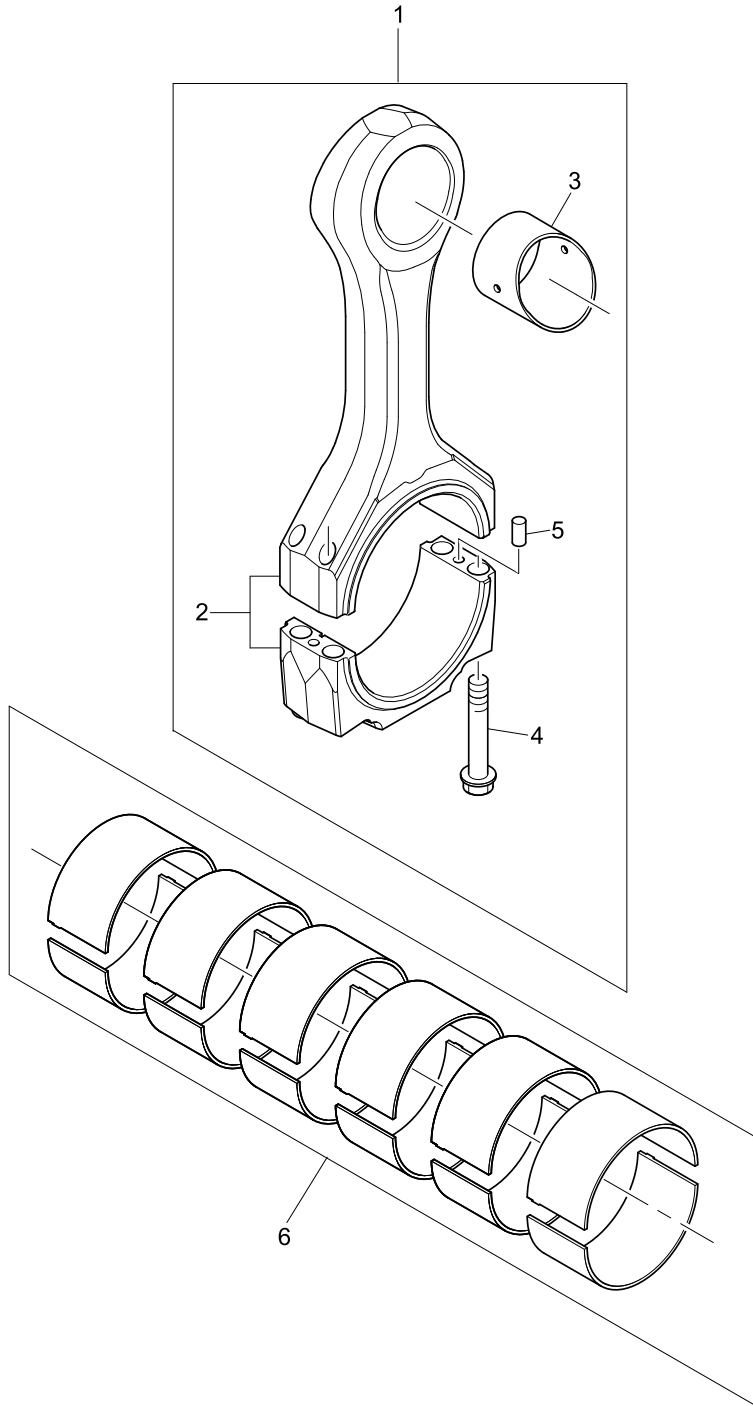
Item	Part No.	References	Qty.	Description	Notes
1	CH10632		1	IDLER GEAR	
2	CH10624		1	STUD	
3	CH10290	↔	5	NUT	
4	CH10615		5	WASHER	
5	CH10609	↔	1	BOLT	
6	CH10615		1	WASHER	
7	CH10614		1	PLATE	
8	CH10621		3	BOLT	





Item	Part No.	References	Qty.	Description	Notes
1	KRP3030	 a.	6	PISTON KIT	
2		 a.  KRP3030	1	PISTON	
3	CH11503		1	GUDGEON PIN	
4	CH11992		2	CIRCLIP	
5	KRP3018	 a.	6	PISTON RING KIT	

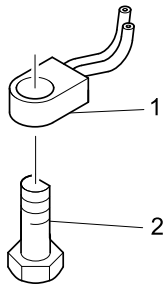
History

a.					
1	KRP3017		6	PISTON KIT	
2			1	PISTON	
5	KRP3019		6	PISTON RING KIT	



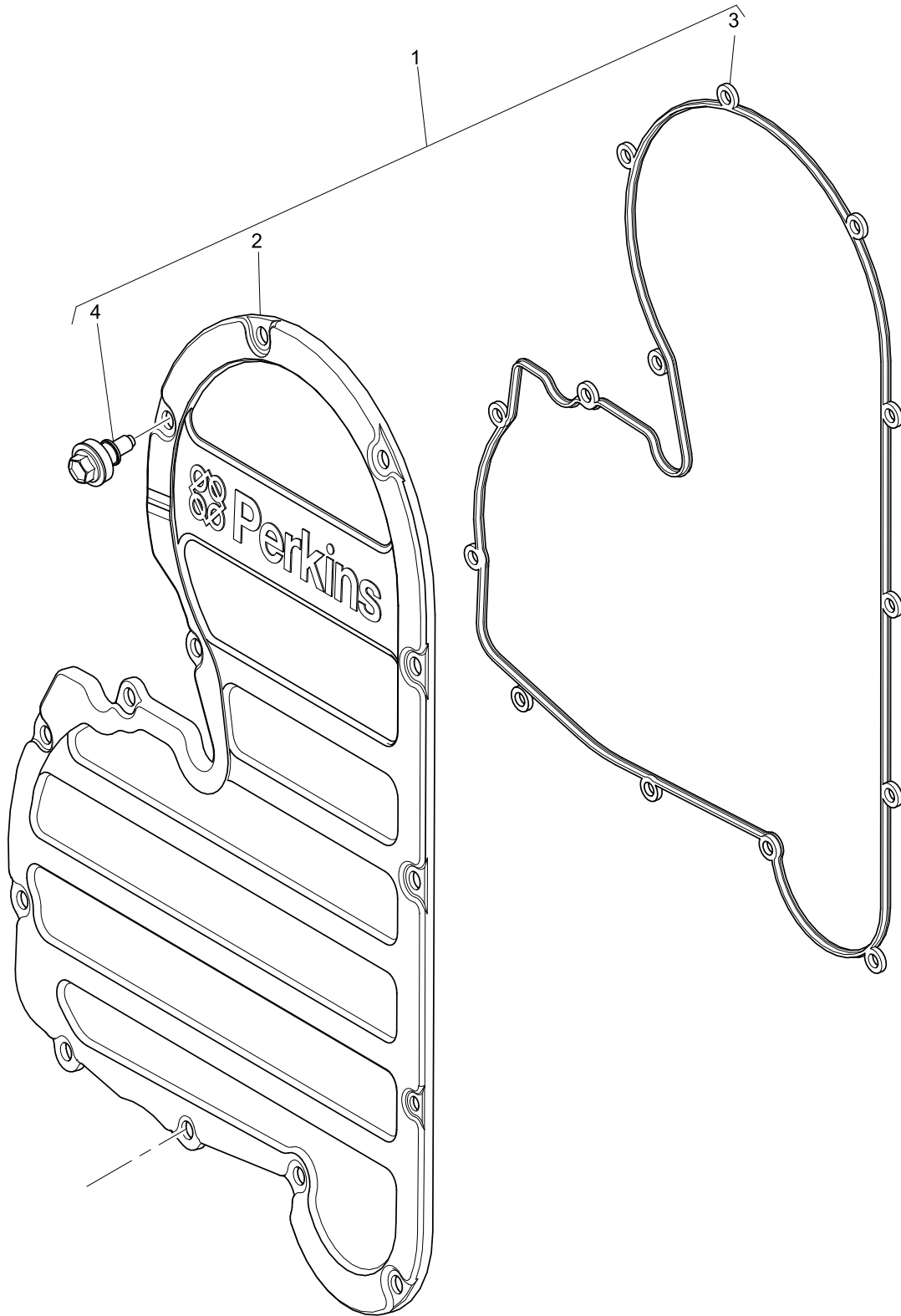
Item	Part No.	References	Qty.	Description	Notes
1	CH11507		6	CON ROD ASSEMBLY	
2		⇒ CH11507	1	CON ROD	
3	CV60967	 a. ⇒ CH11507	1	SMALL END BUSH	
4	CH11684		4	CON ROD BOLT	
5	CH11494		2	PIN	
6	KRP3016		1	BIG END BEARING KIT	

History					
a.					
3		⇒	1	SMALL END BUSH	







Piston Cooling Jets	Plate A
	ADHD0053

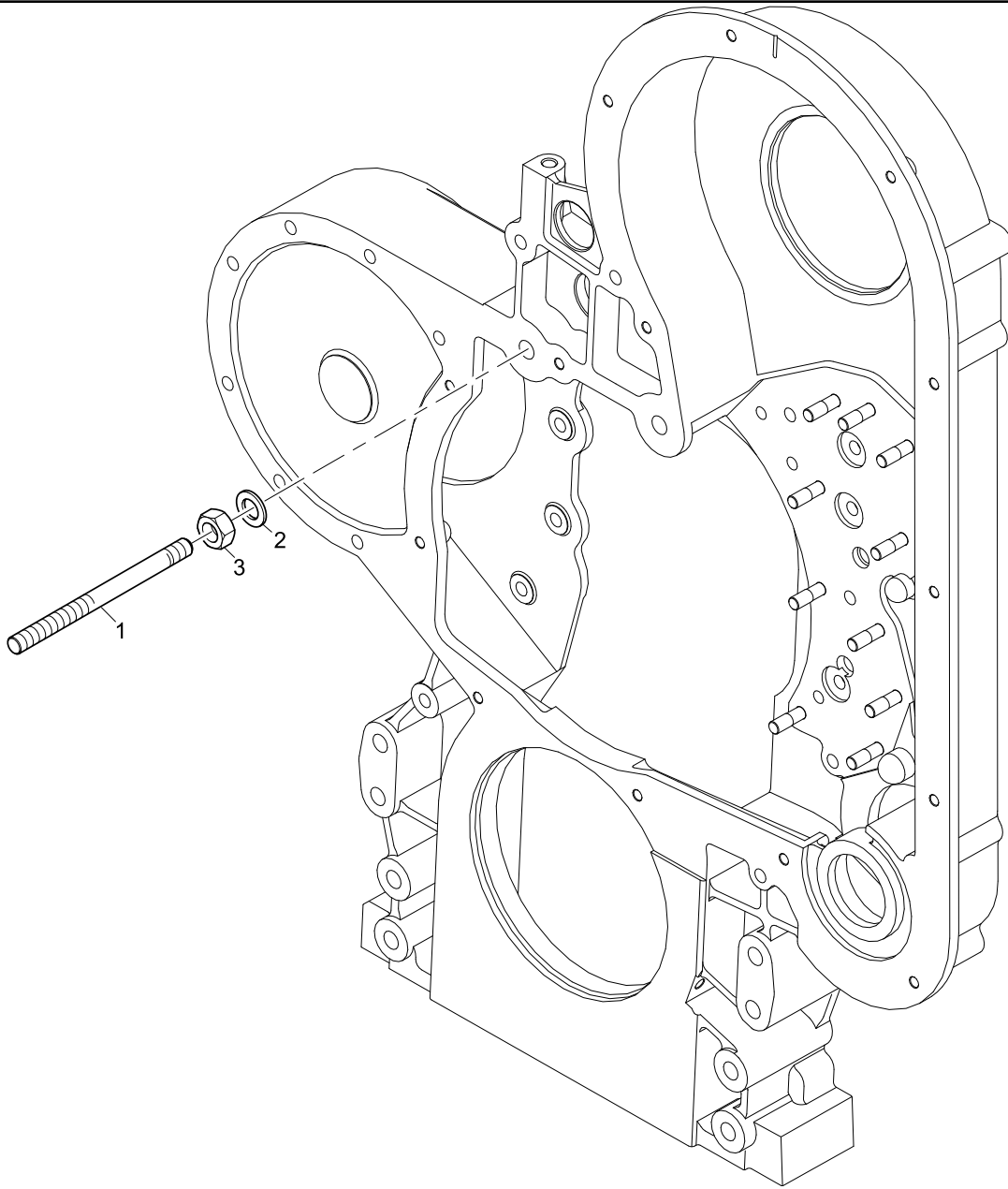
Item	Part No.	References	Qty.	Description	Notes
1	CH11994		6	PISTON COOLING JET	
2	CH10600		6	BOLT	



Timing Cover	Plate A
	AEHD0070

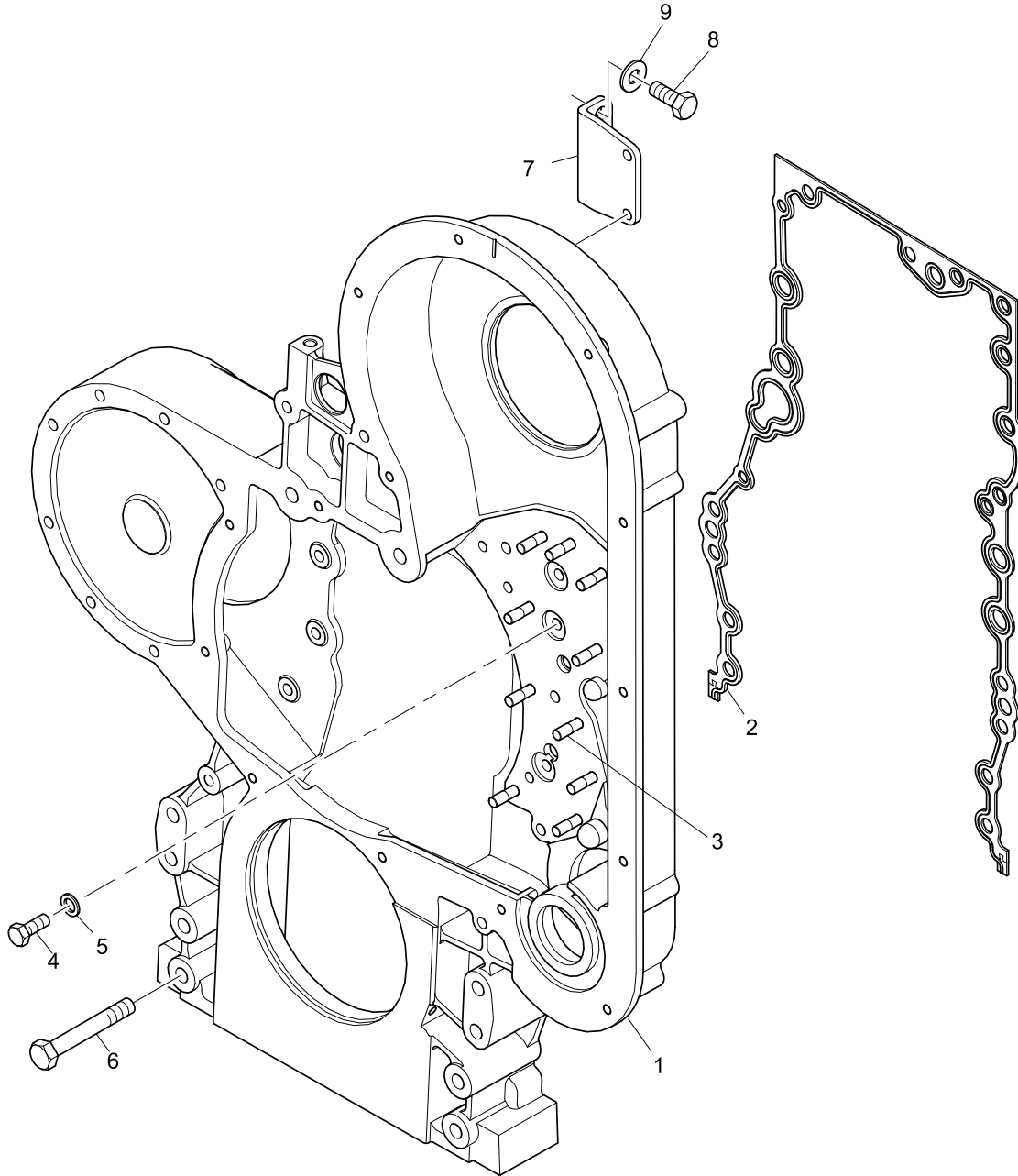
Item	Part No.	References	Qty.	Description	Notes
1	CH11848	 b.	1	TIMING COVER	
2		  CH11848	1	TIMING COVER	
3	CH11352		1	SEAL	
4	CH10946	 a.	14	SCREW	

History					
a.					
4	CH11976		14	FASTENER	
b.					
	CH11352		1	SEAL	
	CH11976		14	FASTENER	
1			1	TIMING COVER	







Timing Case	Plate A
	AEHS1070

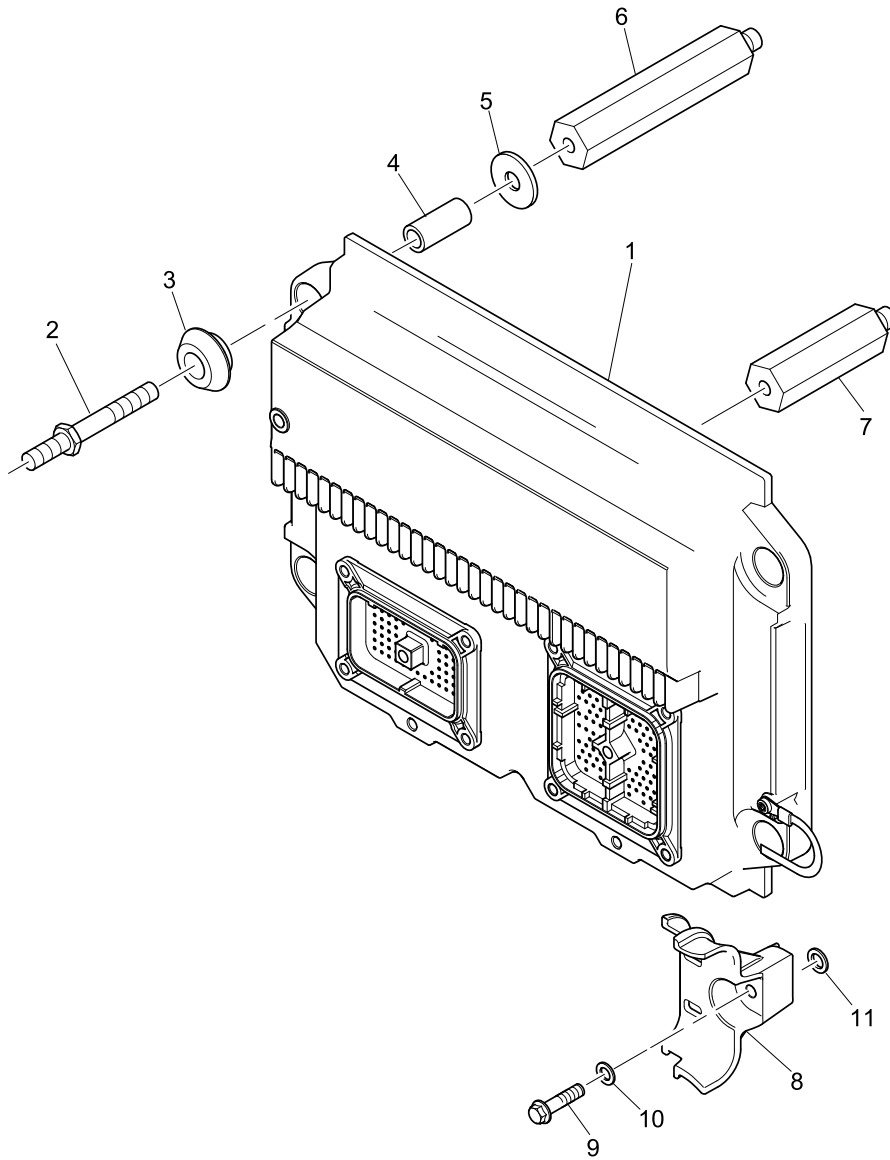
Item	Part No.	References	Qty.	Description	Notes
1	CH10952		2	STUD	
2	CH10099		2	WASHER	
3	CH10564		2	NUT	



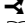
Timing Case	Plate A
	AEHS1071

Item	Part No.	References	Qty.	Description	Notes
1	CH11667	 c.	1	TIMING CASE	
2	CH10829		1	GASKET - TIMING CASE	
3	CH10953		10	STUD	
4	CH10815		8	BOLT	
5	CH10255	 a.	8	WASHER	
6	CH10791	 b.	9	BOLT	
7	CH10832		1	BRACKET	
8	CH11895	 a.	2	BOLT	
9	CH10615		2	WASHER	

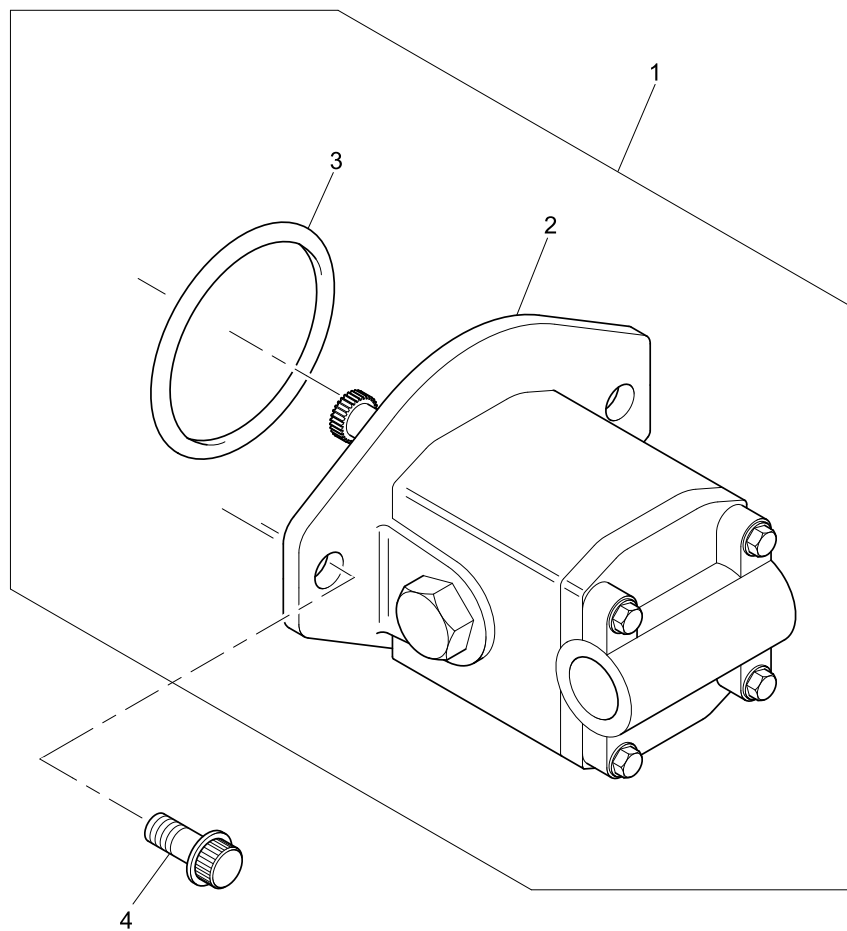
History					
a.					
5	CH10541		8	WASHER	
8	CH10537		2	BOLT	
b.					
6	CH10791		9	BOLT	
c.					
1	CH11615		1	TIMING CASE	





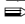
Engine Control Module	Plate A
	AFHD0268



Item	Part No.	References	Qty.	Description	Notes
1	R/CH12895	 a. b.	1	ENGINE CONTROL MODULE	
2	CH10578		4	STUD	
3	CH10272		8	VIBRATION MOUNT	
4	CH10108		4	SPACER	
5	CH10279		8	WASHER	
6	CH10576		1	BRACKET	
7	CH10577		1	BRACKET	
8	CH11932		2	BRACKET	
9	CH11931		2	BOLT	
10	CH11933		2	WASHER	
11	CH10277		2	WASHER	

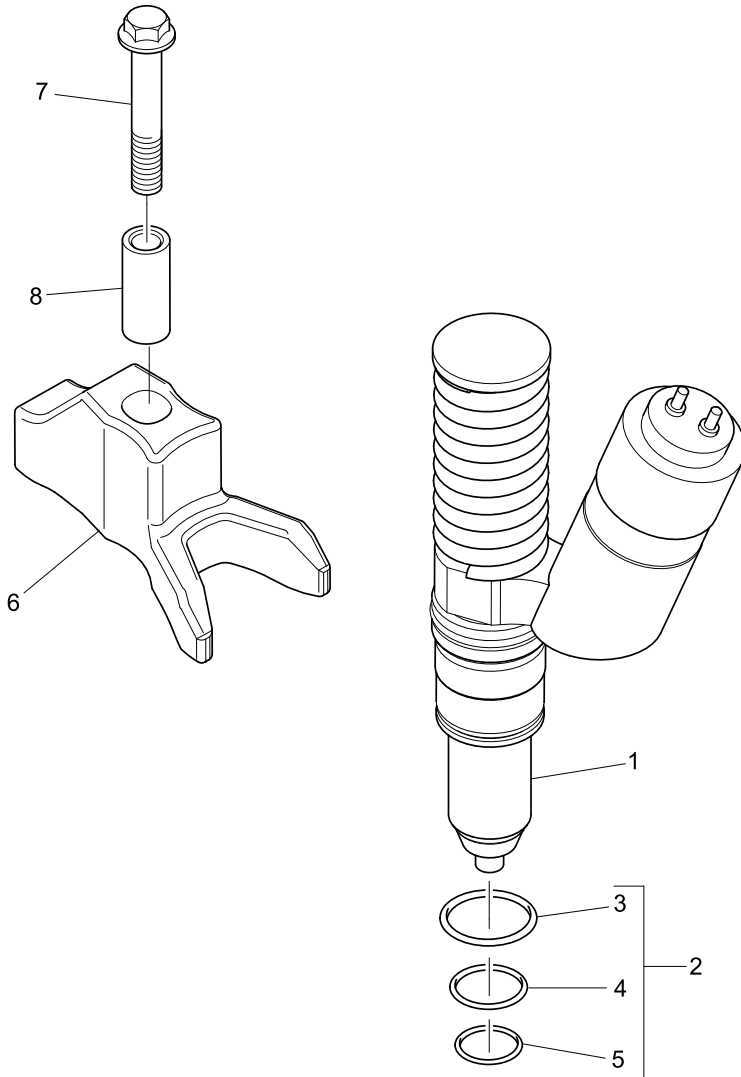
History					
a.					
1	R/CH12104		1	ENGINE CONTROL MODULE	
b.					
1	R/CH11930		1	ENGINE CONTROL MODULE	





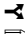


Lift Pump	Plate A
	AFHD0269

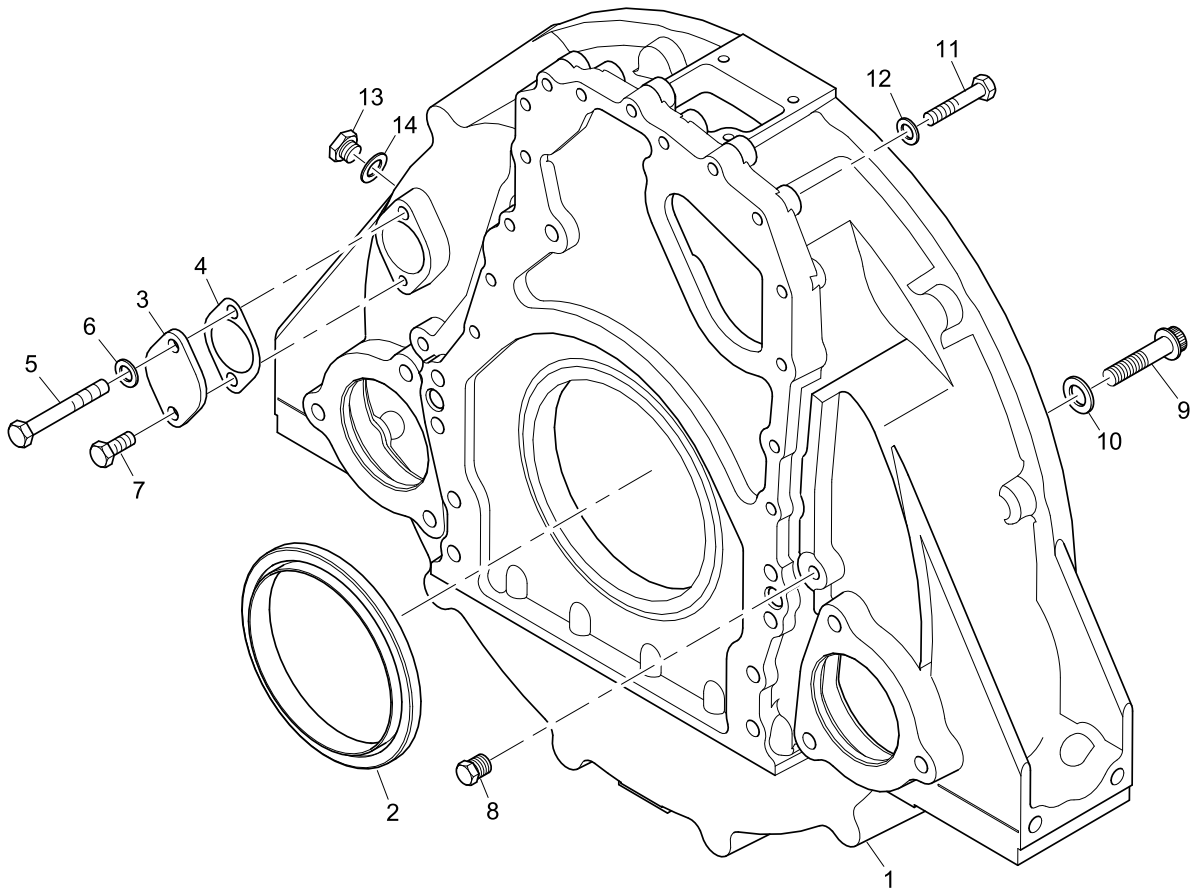
Item	Part No.	References	Qty.	Description	Notes
1	KRP1721	 a.	1	LIFT PUMP	
2		 a. b.  KRP1721	1	LIFT PUMP	
3	CH10340		1	SEAL - O RING	
4	CH10582		2	BOLT	





History					
a.					
1	KRP1679		1	LIFT PUMP	
2			1	LIFT PUMP	
b.					
2			1	LIFT PUMP	



Atomisers	Plate A
	AFHD0270

Item	Part No.	References	Qty.	Description	Notes
1	R/CH11945		6	INJECTOR - EXCHANGE	
2	KRP1643		1	SEAL KIT	
3		  KRP1643	1	SEAL - INJECTOR	
4		  KRP1643	1	SEAL - INJECTOR	
5		 KRP1643	1	SEAL - INJECTOR	
6	CH10790		6	CLAMP	
7	CH10791		6	BOLT	
8	CH10792		6	SPACER	

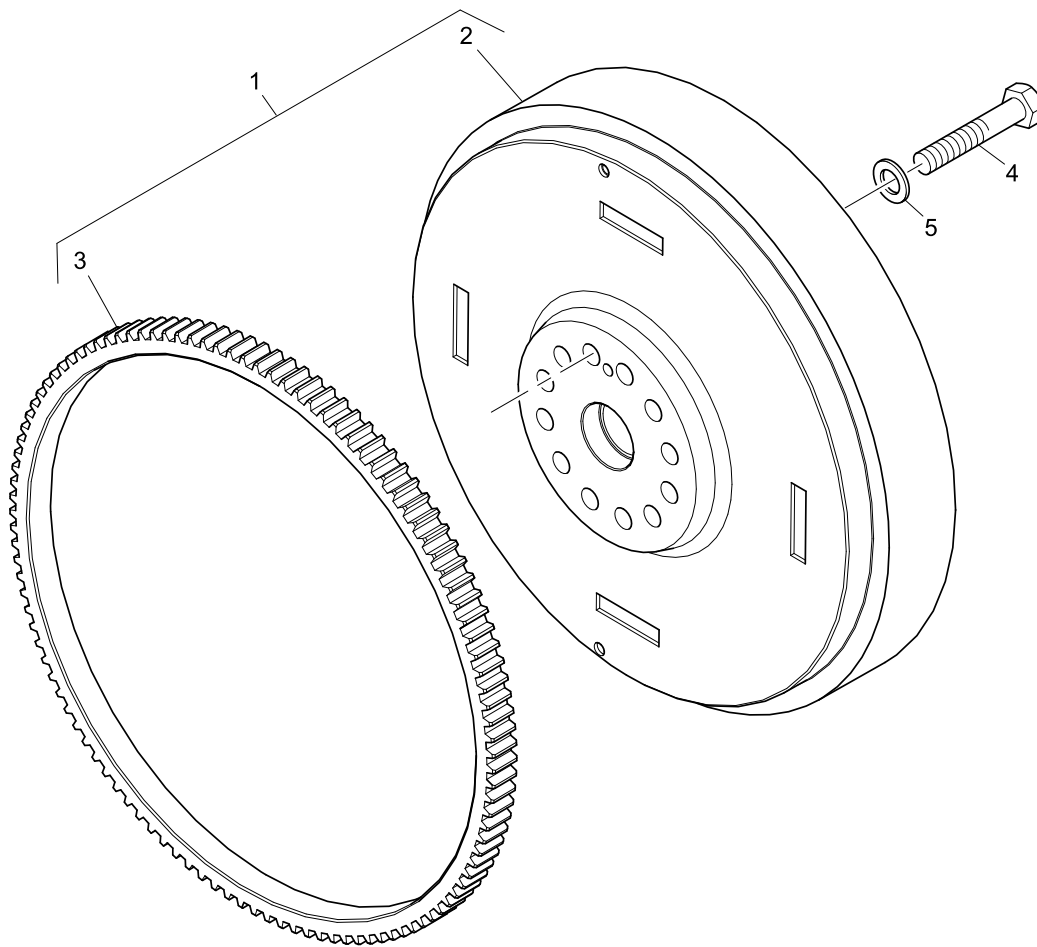


Item	Part No.	References	Qty.	Description	Notes
1	CH10933		1	FLYWHEEL HOUSING	
2	CH11304	 a.	1	SEAL - REAR END OIL	
3	CH10539		1	COVER	
4	CH10540		1	GASKET	
5	CH10538		1	BOLT	
6	CH10541		2	WASHER	
7	CH10537		1	BOLT	
8	CH10262		2	PLUG	
9	CH10783		9	BOLT	
10	CH10099		9	WASHER	
11	CH10586		15	BOLT	
12	CH10541		15	WASHER	
13	CH10939		1	DRAIN PLUG	
14	CH10940		1	GASKET	

History

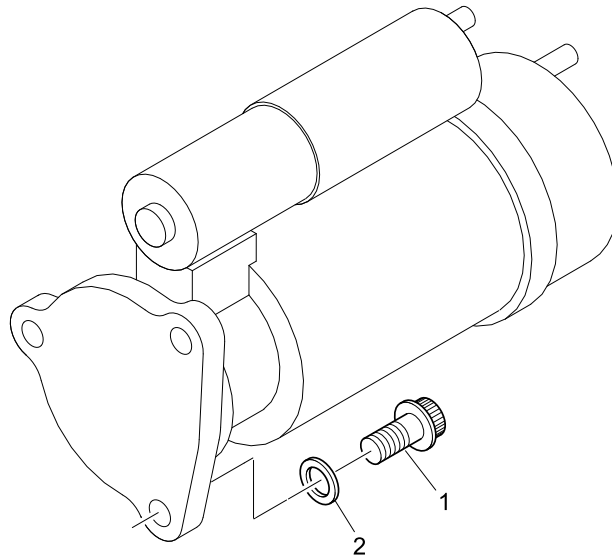
a.

2	CH10782		1	SEAL - REAR END OIL	
---	---------	--	---	---------------------	--



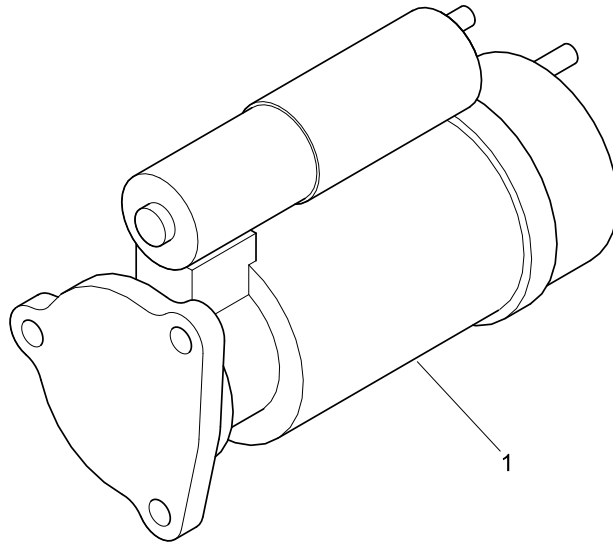
Flywheel & Starter Ring	Plate A
	CDHS1101

Item	Part No.	References	Qty.	Description	Notes
1	CH11058		1	FLYWHEEL ASSEMBLY	
2		⇒ CH11058	1	FLYWHEEL	
3	CH10065		1	STARTER RING	
4	CH10880		12	BOLT	
5	CH10058		12	WASHER	




Starter Motor - Fixings	Plate A
	E1AFH

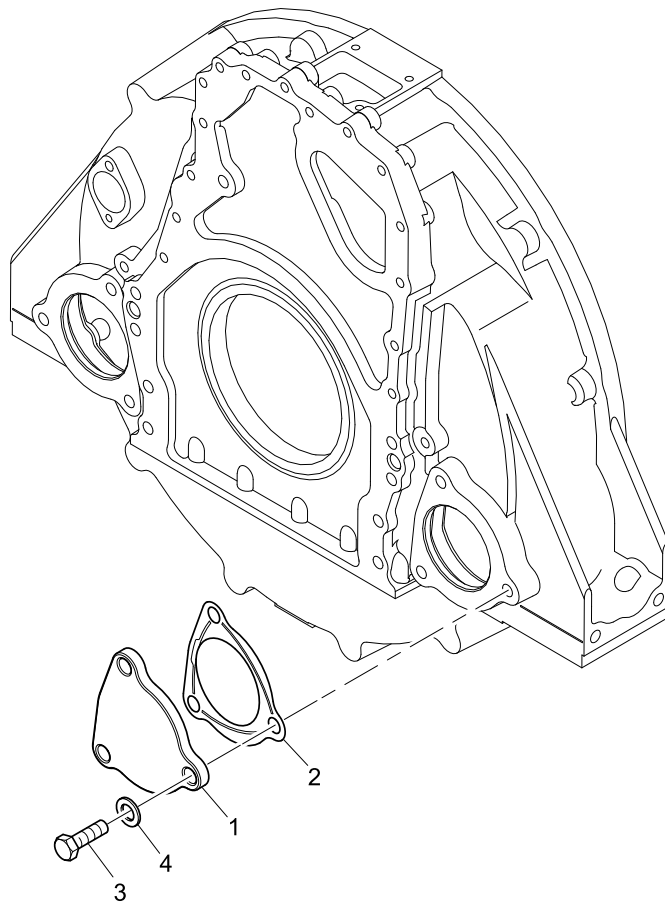
Item	Part No.	References	Qty.	Description	Notes
1	CH10237		3	BOLT	
2	0920007		1	WASHER	



Starter Motor	Plate A
	E1CFH

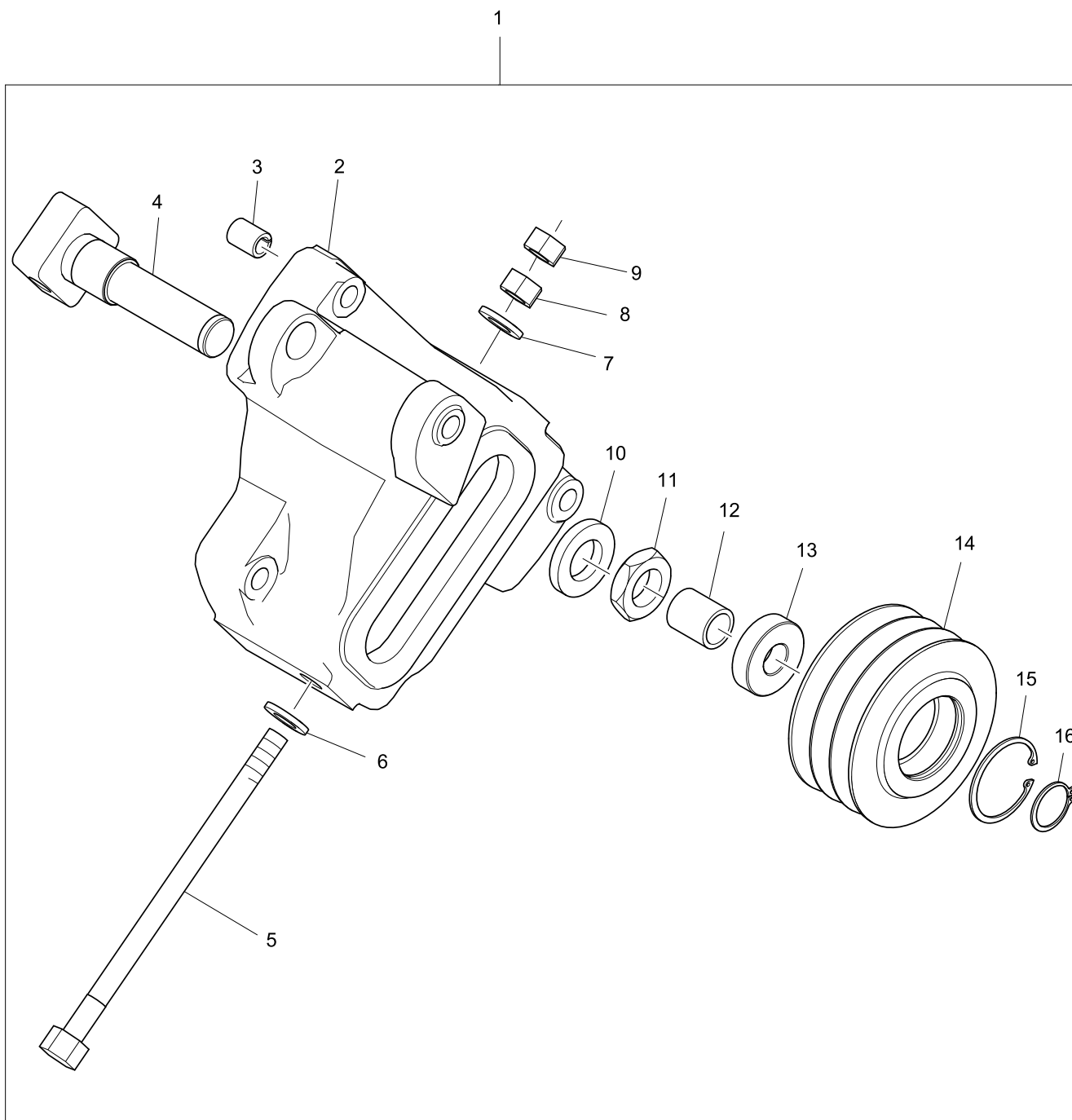
Item	Part No.	References	Qty.	Description	Notes
1	CH12807	 a. b.	1	STARTER MOTOR	
Service Options					
1	R/CH12807		1	STARTER MOTOR - EXCHANGE	

History					
a.					
1	CH12405		1	STARTER MOTOR	
b.					
1	CH11089		1	STARTER MOTOR	

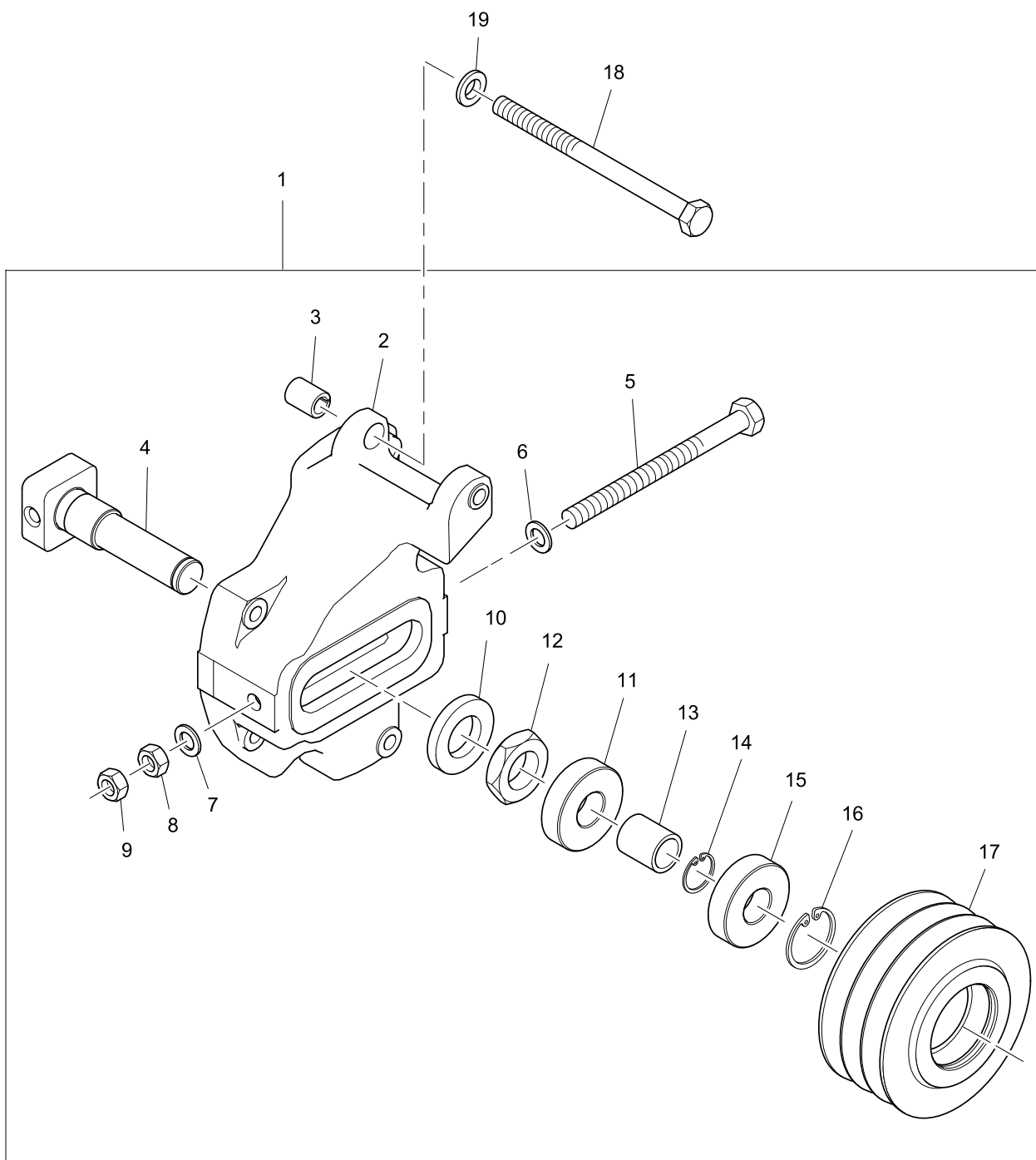


Starter Motor - Blanking Cover	Plate A
	EDHS1041

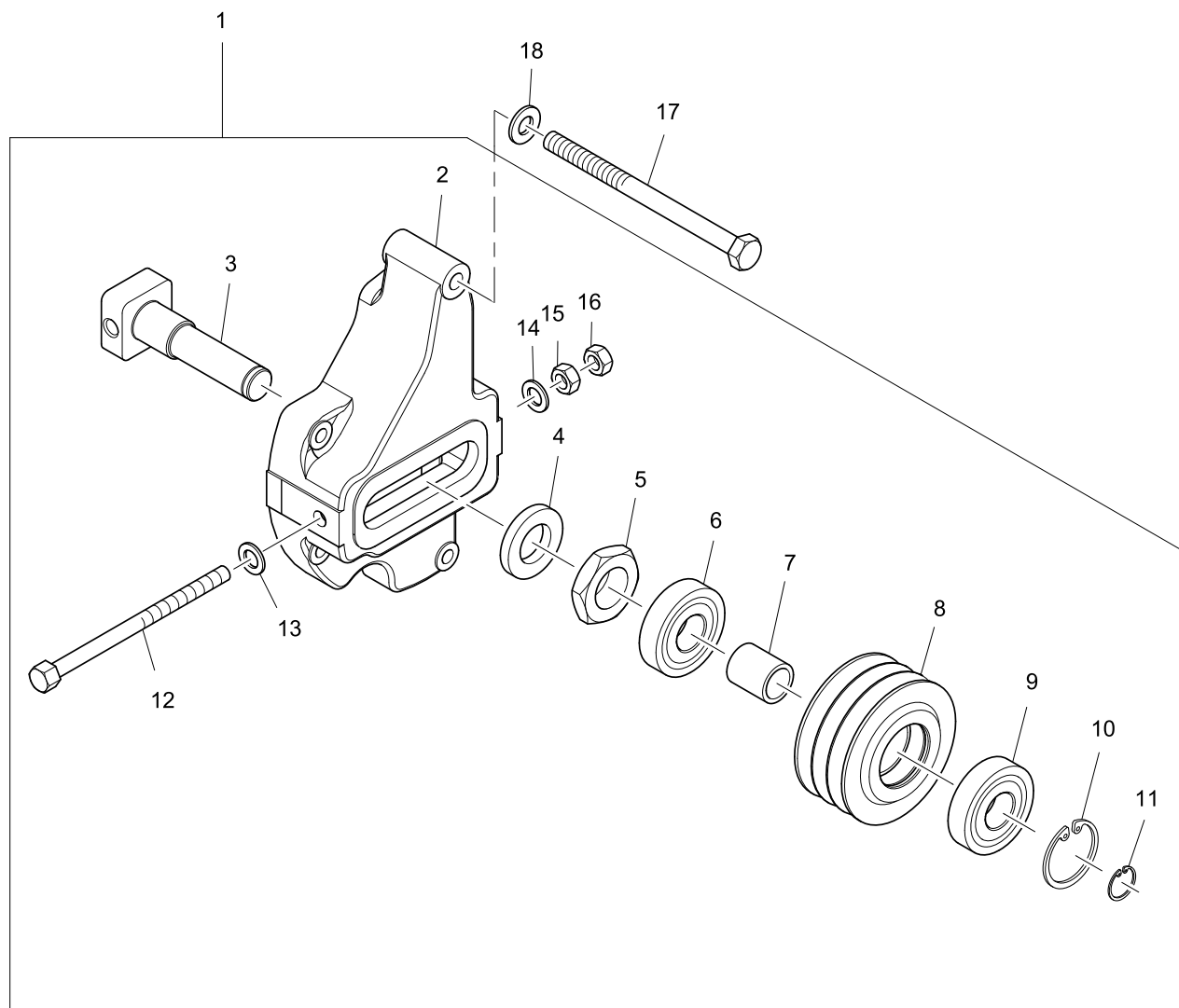
Item	Part No.	References	Qty.	Description	Notes
1	CH10064		1	COVER	
2	CH10310		1	GASKET	
3	CH10000		3	BOLT	
4	CH10058		3	WASHER	











Item	Part No.	References	Qty.	Description	Notes
1	T400228		1	TENSIONER ARM	
2		⇒ T400228	1	HOUSING	
3	CH12834		1	BUSH	
4		⇒ T400228	1	SHAFT	
5		⇒ T400228	1	BOLT	
6	CH11604		1	WASHER	
7	CH11604		1	WASHER	
8	T400231		1	NUT	
9	T400231		1	NUT	
10		⇒ T400228	1	WASHER	
11		⇒ T400228	1	NUT	
12		⇒ T400228	1	SLEEVE	
13	CH11444		2	BALL BEARING	
14	CH12872	↔	1	TENSIONER PULLEY	
15	T400229		1	CIRCLIP	
16	T400230		1	CIRCLIP	



Item	Part No.	References	Qty.	Description	Notes
1	CH12832	↔	1	TENSIONER ARM	
2		⇒ CH12832	1	TENSIONER	
3	CH12834		1	BUSH	
4		⇒ CH12832	1	SHAFT	
5		⇒ CH12832	1	BOLT	
6	2131A012		1	WASHER	
7	2131A012		1	WASHER	
8	2318A210		1	NUT	
9	2318A210		1	NUT	
10		⇒ CH12832	1	WASHER	
11	CH11444		1	BALL BEARING	
12		⇒ CH12832	1	NUT	
13		⇒ CH12832	1	SLEEVE	
14	2722A022		1	CIRCLIP	
15	CH11444		1	BALL BEARING	
16	2721351		1	CIRCLIP	
17	CH12872	↔	1	TENSIONER PULLEY	
18	CH10813		4	BOLT	
19	ST15903		4	WASHER	

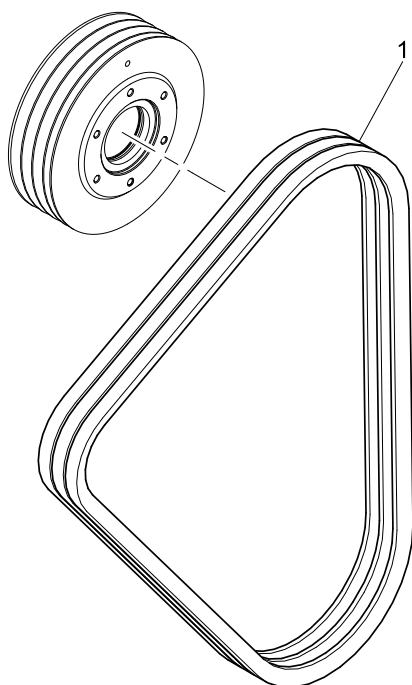


Item	Part No.	References	Qty.	Description	Notes
1	CH11024		1	TENSIONER ARM	
2		⇒ CH11024	1	HOUSING	
3	CV17729		1	SHAFT	
4	CV17731		1	WASHER	
5	CV5324	 a.	1	NUT	
6	CH11444	 a.	1	BALL BEARING	
7	CV17765		1	SLEEVE	
8	CV17732	 a.	1	TENSIONER PULLEY	
9	CH11444	 a.	1	BALL BEARING	
10	2721351	 a.	1	CIRCLIP	
11	2722A022	 a.	1	CIRCLIP	
12	CV19793	 a.	1	BOLT	
13	2131A012	 a.	1	WASHER	
14	2131A012		1	WASHER	
15	2318A210		1	NUT	
16	2318A210		1	NUT	
17	CH10813		4	BOLT	
18	ST15903		4	WASHER	

History

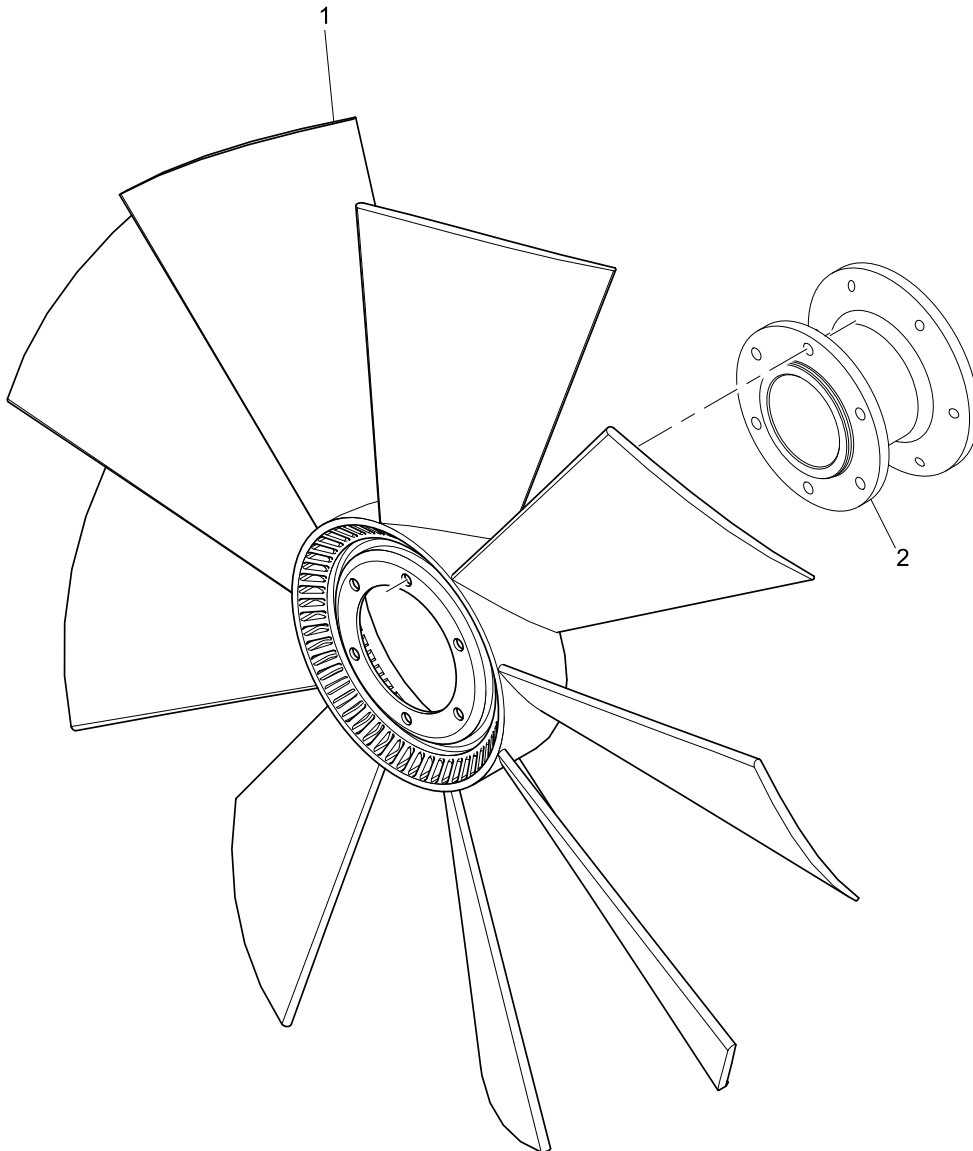
a.

5	2721351		1	CIRCLIP	
6	2722A022		1	CIRCLIP	
8	CH11444		2	BALL BEARING	
9	CV5324		1	NUT	
10	CV17732		1	TENSIONER PULLEY	
11	CV19793		1	BOLT	
12	2131A012		2	WASHER	
13	2318A210		2	NUT	



Fan Belt	Plate A
	F1BFH

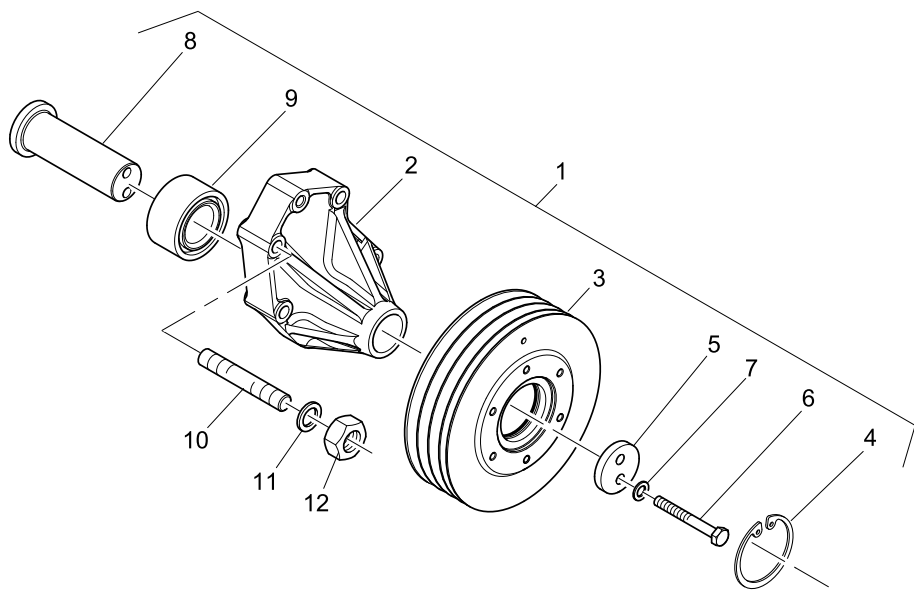
Item	Part No.	References	Qty.	Description	Notes
1	CH11950		1	BELT	



Fan	Plate A
	F1DFH

Item	Part No.	References	Qty.	Description	Notes
1	CH12009		1	FAN	
2			1	ADAPTOR	

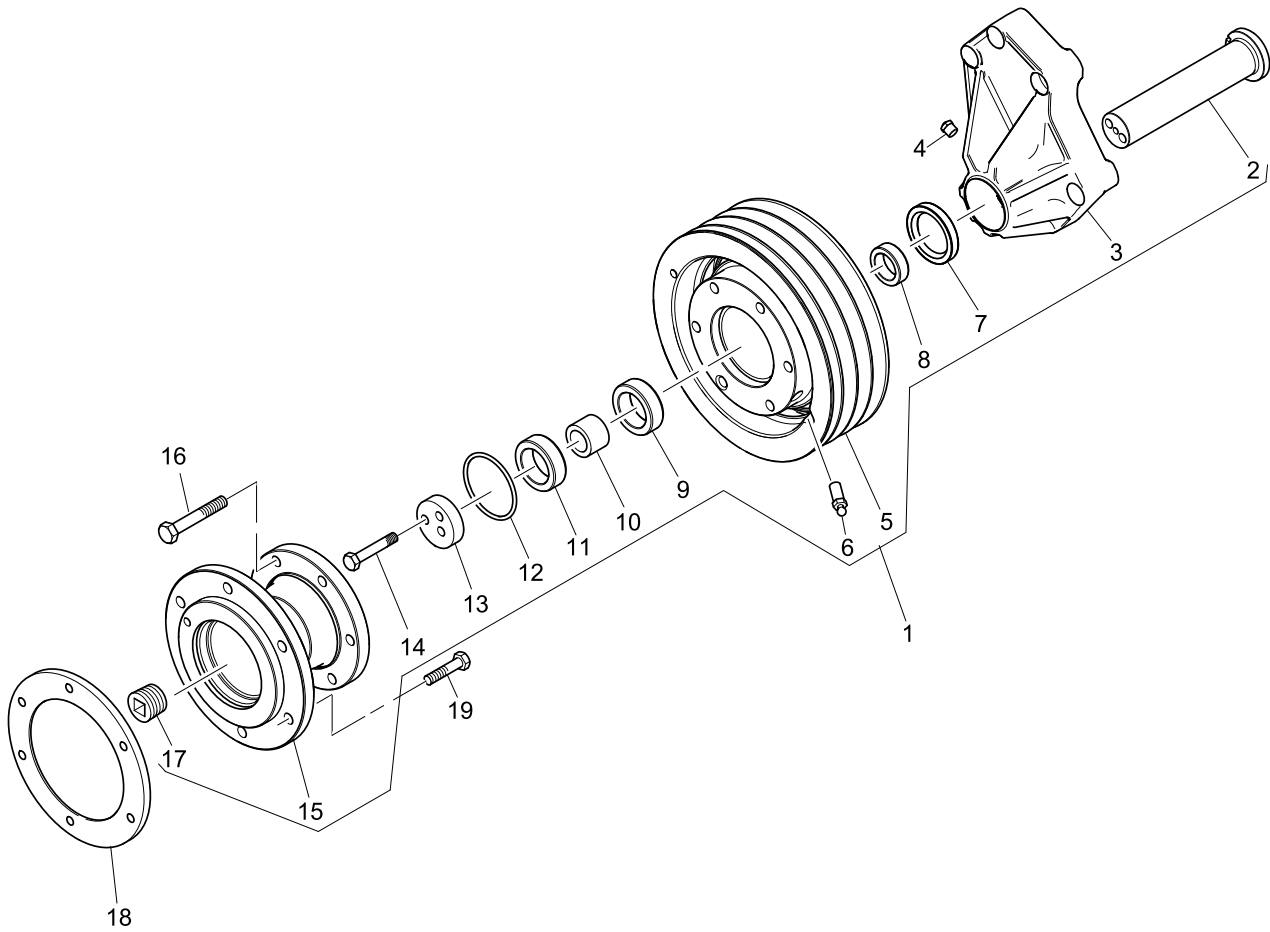
History					
a.					
	CH10255		6	WASHER	
	ST44456		6	BOLT	



Fan Drive	Plate A
	F1FFH

Item	Part No.	References	Qty.	Description	Notes
1	CH11197	↔	1	FANDRIVE	(1)
2		↔ ⇒ CH11197	1	FAN DRIVE HOUSING	
3	CH11175	↔	1	FAN DRIVE PULLEY	
4	ST49004		1	CIRCLIP	
5	CH11032	↔	1	CAP	
6	ST43563		2	BOLT	
7	2131A010		2	WASHER	
8	CH11090	↔	1	DRIVE SHAFT	
9	CH11027	↔	1	ROLLER BEARING	
10	CH11033		2	STUD	
11	0920007		2	WASHER	
12	2238155		2	NUT	

Footnotes	
(1)	CHECK YOUR ENGINE SPECIFICATION BEFORE ORDERING

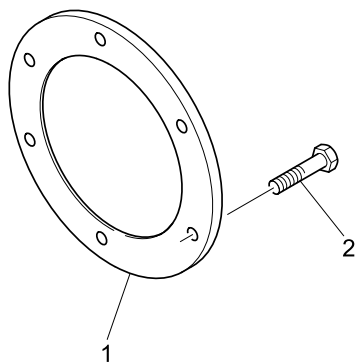


Fan Drive	Plate A
	F1GFH

Item	Part No.	References	Qty.	Description	Notes
1	CH12386		1	FANDRIVE	(1)
2	CH12391		1	SHAFT	
3		⇒ CH12386	1	FAN DRIVE HOUSING	
4	CH12908	ⓐ a.	1	RELIEF VALVE	
5	CH12387		1	FAN DRIVE PULLEY	223.5
6	CH12374		1	BALL	
7	CH12378		1	SEAL	
8	CH12379		1	SPACER	
9	CH12382		1	BALL BEARING	
10	CH12383		1	SPACER	
11	CH12375		1	BALL BEARING	
12	CH12384		1	SEAL - O RING	
13	CH12380		1	WASHER	
14	CH12377		2	BOLT	
15	CH12390		1	ADAPTOR	
16	CH10585		6	BOLT	
17	CH10220		1	PLUG	
18	CH12433		1	RING	
19	2315C066		6	SCREW	

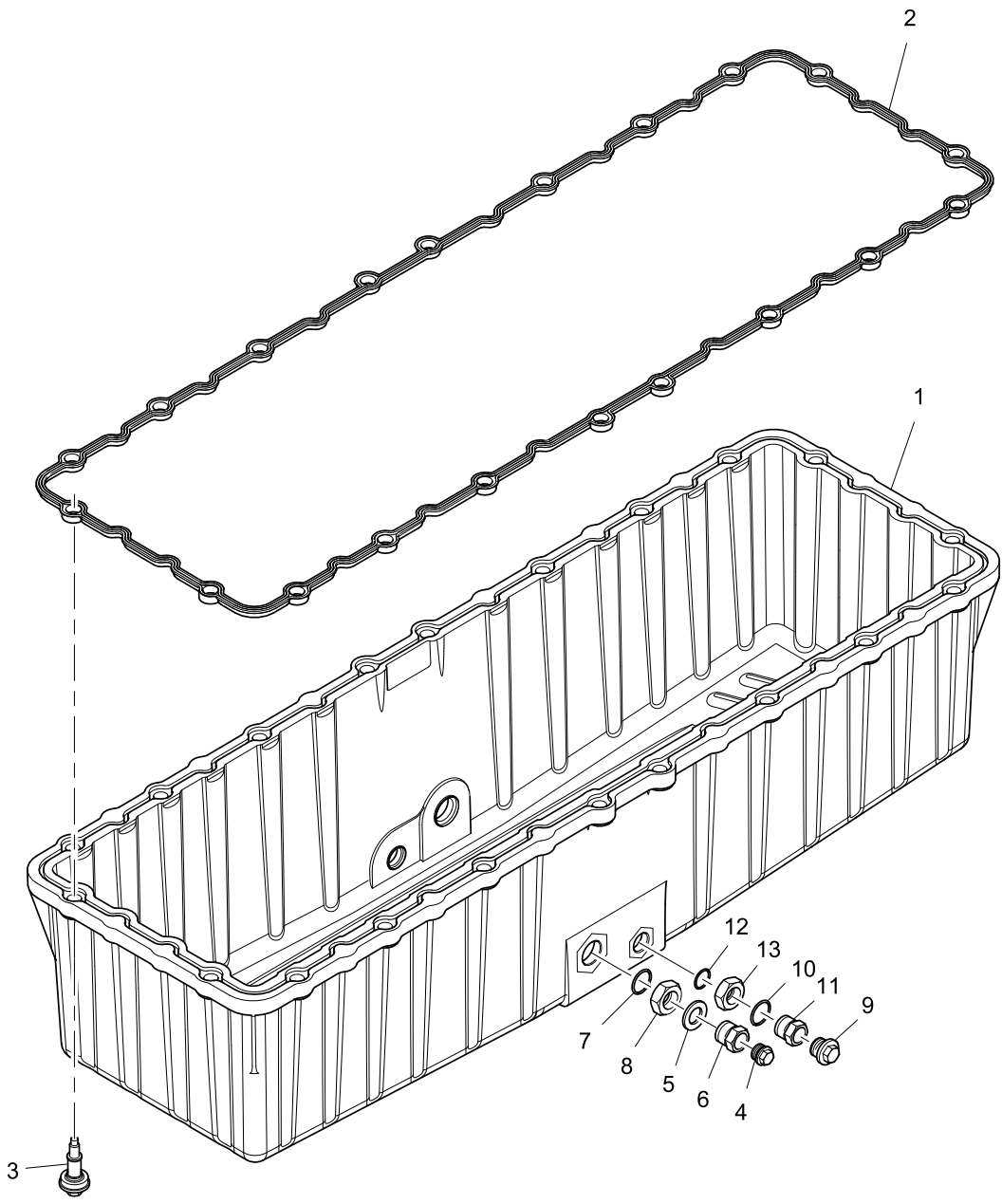
History					
a.					
4	CH12376		1	RELIEF VALVE	

Footnotes	
(1)	CHECK YOUR ENGINE SPECIFICATION BEFORE ORDERING



Fan - Clamping Ring	Plate A
	F1LFH

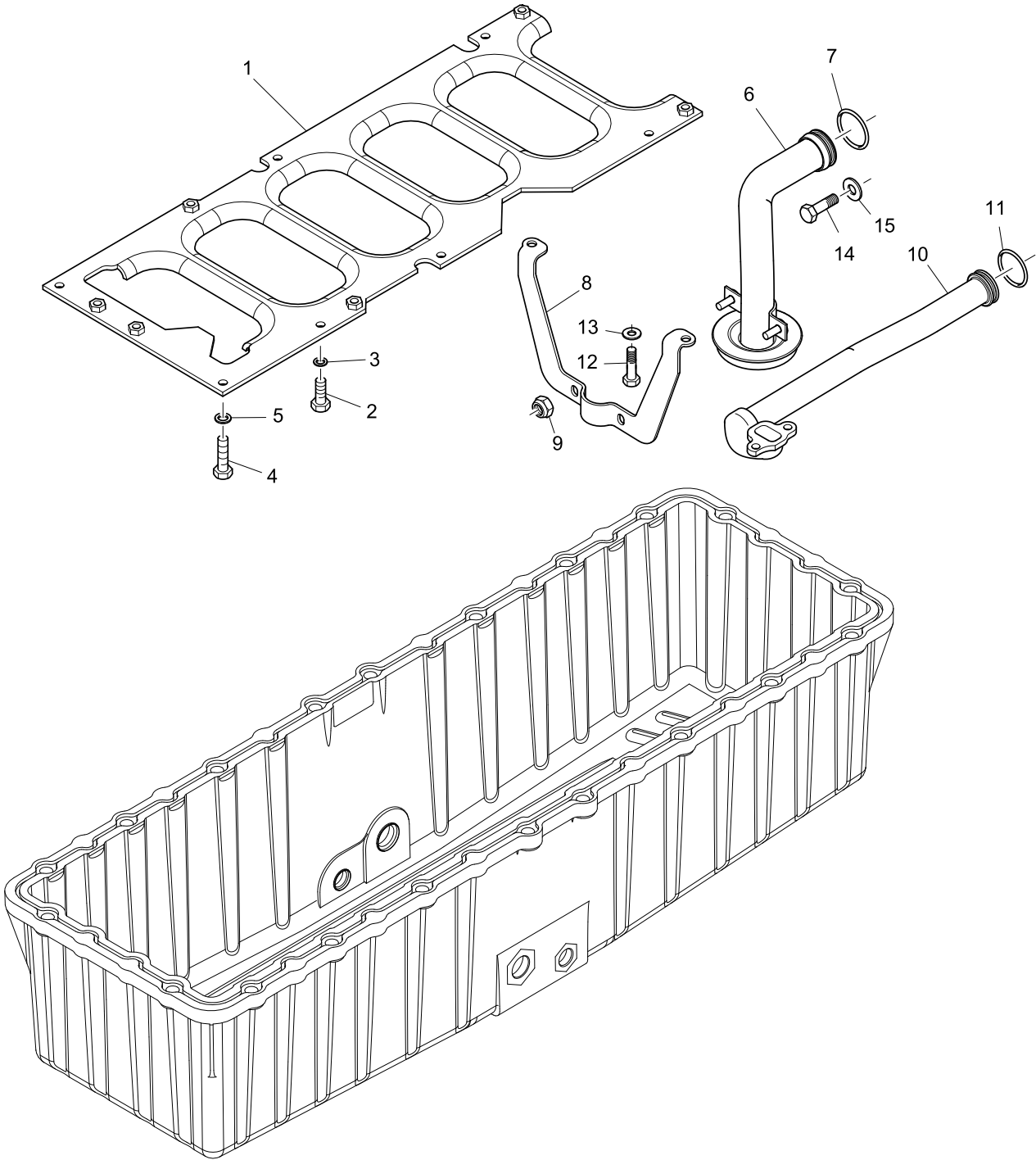
Item	Part No.	References	Qty.	Description	Notes
1	CH12433		1	RING	
2	2315C066		6	SCREW	








Sump	Plate A
	GBHD0192

Item	Part No.	References	Qty.	Description	Notes
1	CH11846		1	SUMP	
2	CH10887		1	SEAL - SUMP	
3	CH10944		20	FASTENER	
4	CH10992		2	DRAIN PLUG	
5	ST49857	↔	2	WASHER	
6	CH11455		2	SUMP ADAPTOR	
7	CH10228		2	SEAL - O RING	
8	CH11459		2	NUT	
9	CH12757	ⓐ a.	2	SUMP DRAIN PLUG	
10	CH11573	ⓐ a.	2	SEAL - O RING	
11	CH11456		2	ADAPTOR	
12	CH10316		2	SEAL - O RING	
13	CH11460		2	NUT	

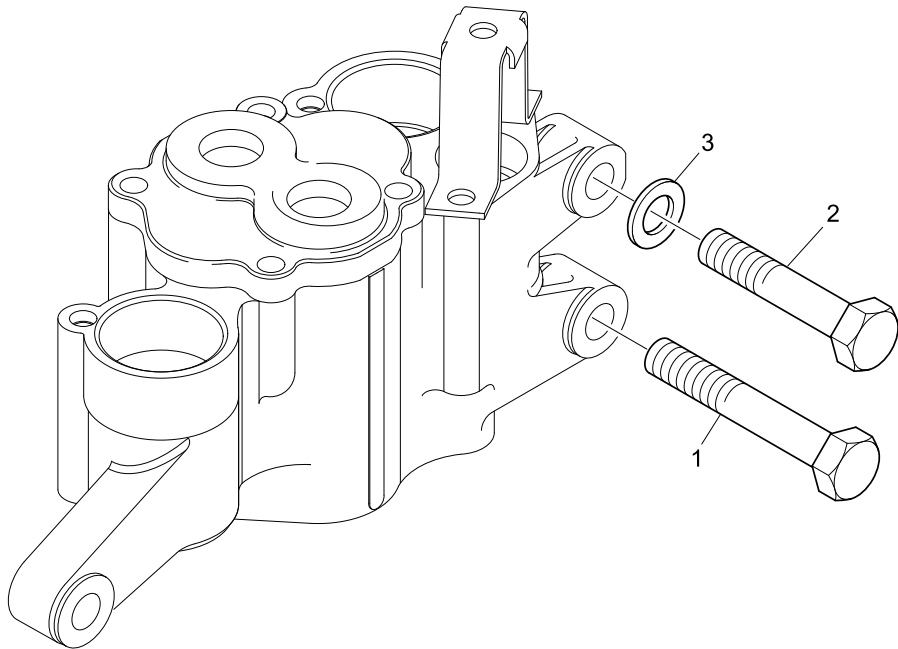
History					
a.					
9	CH10991		2	DRAIN PLUG	
10	ST49950		2	WASHER	



Oil Strainer	Plate A
	GBHD0192

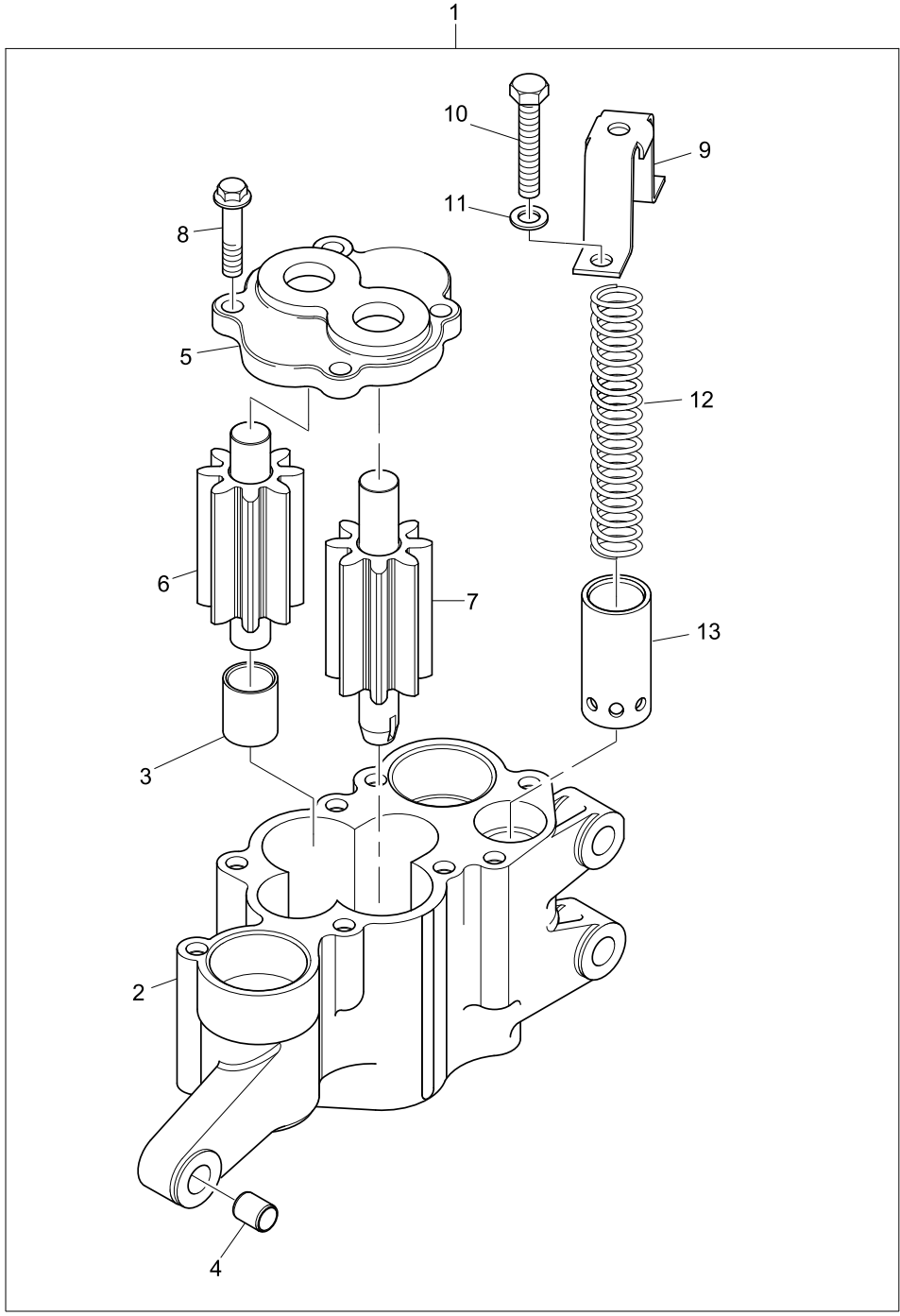
Item	Part No.	References	Qty.	Description	Notes
1	CH10789		1	FRAME	
2	CH11895	 a.	5	BOLT	
3	CH10255	 a.	5	WASHER	
4	CH10550		2	BOLT	
5	CH10255	 a.	2	WASHER	
6	CH10968		1	PIPE - OIL SUCTION	
7	CH11905	 a.	1	SEAL - O RING	
8	CH10855		1	BRACKET	
9	CH10785		2	NUT	
10	CH10786		1	PIPE - OIL	
11	CH11906	 a.	1	SEAL - O RING	
12	CH11645		2	BOLT	
13	CH10615		2	WASHER	
14	CH11645		1	BOLT	
15	CH10615		1	WASHER	

History					
a.					
2	CH10537		5	BOLT	
3	CH10541		5	WASHER	
5	CH10541		2	WASHER	
7	CH10787		1	SEAL - O RING	
11	CH10788		1	SEAL - O RING	



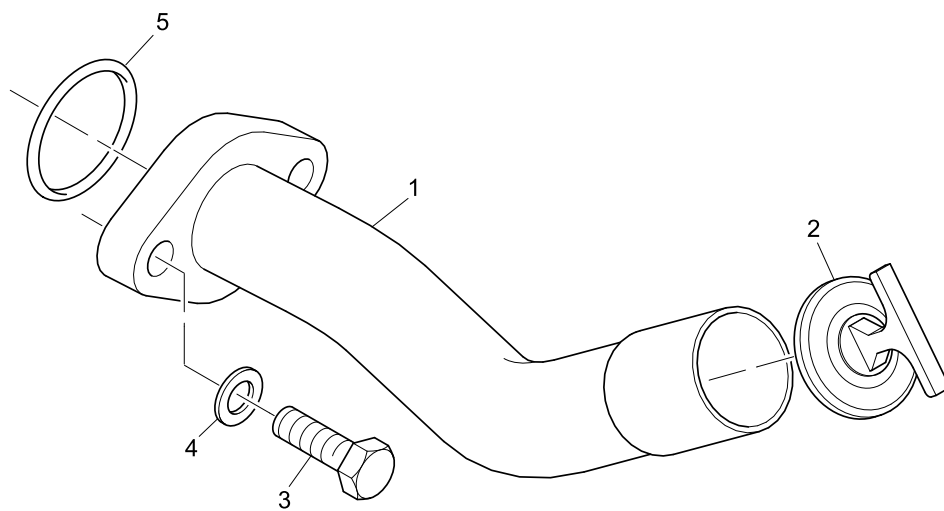
Oil Pump - Fixings	Plate A
	GBHS1081

Item	Part No.	References	Qty.	Description	Notes
1	CH10585		2	BOLT	
2	CH10586		1	BOLT	
3	CH10541	→	3	WASHER	



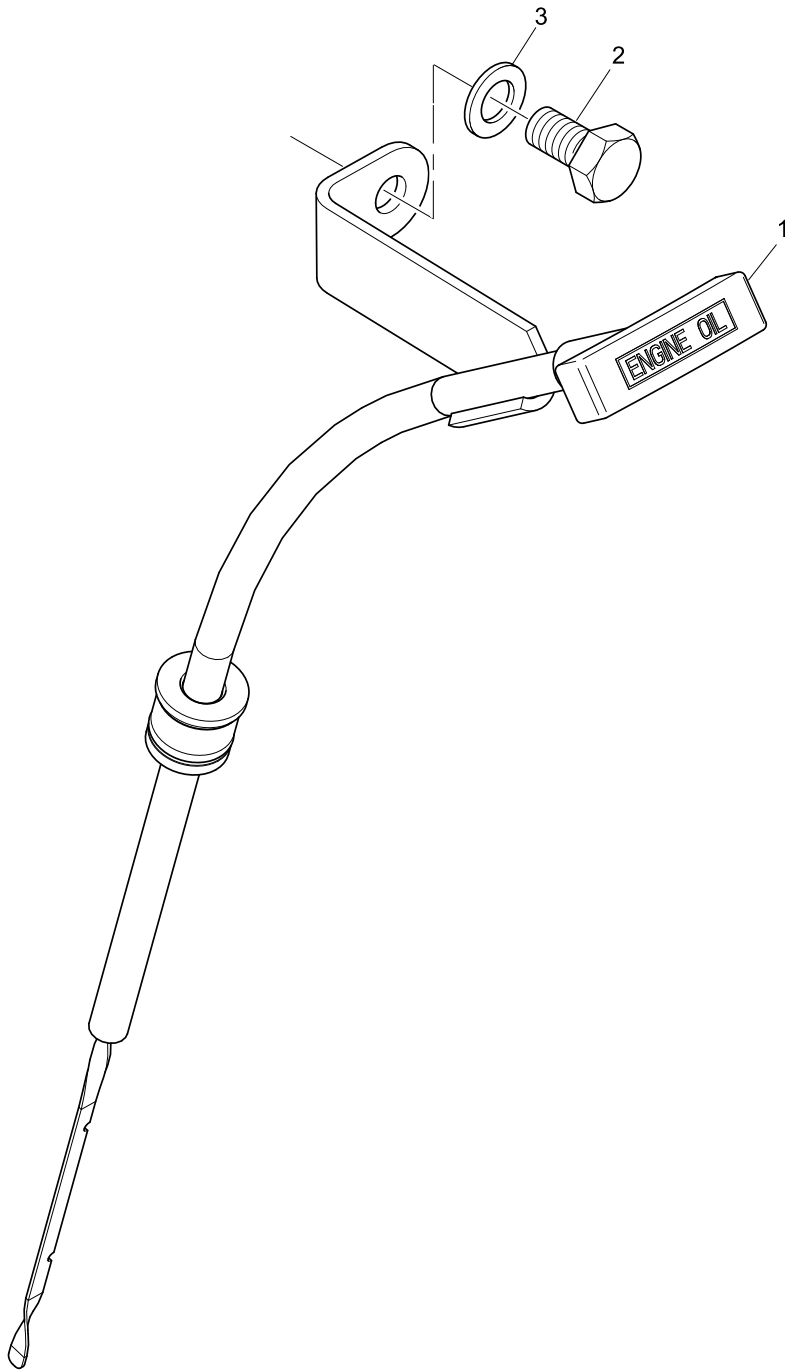
Oil Pump	Plate A
	GBHS1082

Item	Part No.	References	Qty.	Description	Notes
1	CH10860	↖	1	OIL PUMP	
2		⇒ CH10860	1	PUMP BODY	
3	CH10746		2	BUSH	
4	CH10747		2	DOWEL	
5	CH10861		1	COVER	
6	CH10862		1	SHAFT	
7	CH10863		1	DRIVE SHAFT	
8	CH10748		4	BOLT	
9	CH10736		1	RETAINER	
10	CH10735		2	BOLT	
11	CH10541	↖	2	WASHER	
12	CH10737		1	SPRING	
13	CH10738		1	PLUNGER	
Service Options					
1	R/CH10860		1	OIL PUMP - EXCHANGE	



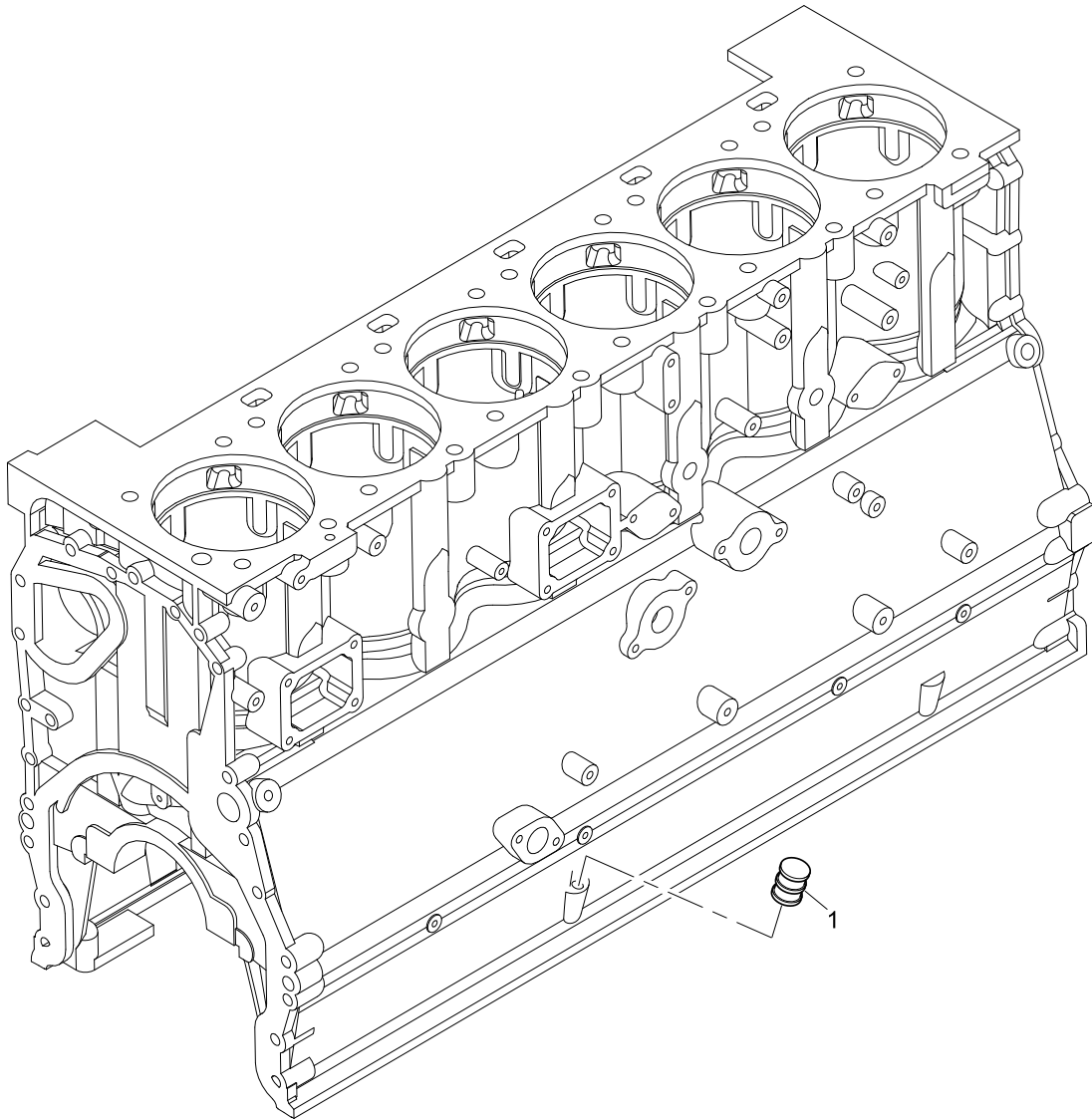
Filler	Plate A
	GBHS1091

Item	Part No.	References	Qty.	Description	Notes
1	CH11101		1	OIL FILLER	
2	CH11103		1	OIL FILLER CAP	
3	CH10567		2	BOLT	
4	CH10541	↖	2	WASHER	
5	CH11102		1	SEAL - O RING	



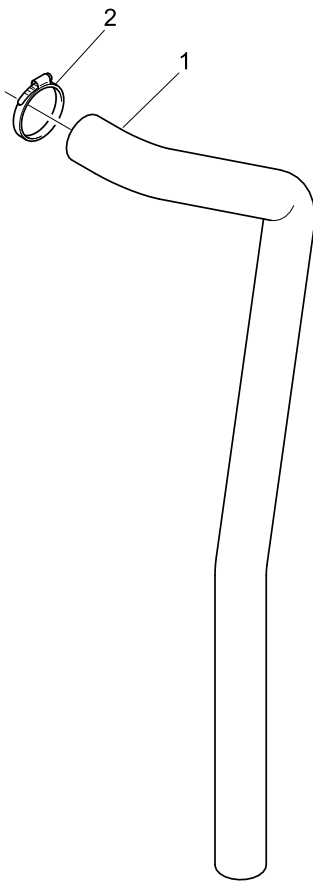
Dipstick	Plate A
	GBHS1092

Item	Part No.	References	Qty.	Description	Notes
1	CH10980		1	DIPSTICK ASSEMBLY	
2	CH10794	↔	1	BOLT	
3	CH10541	↔	1	WASHER	



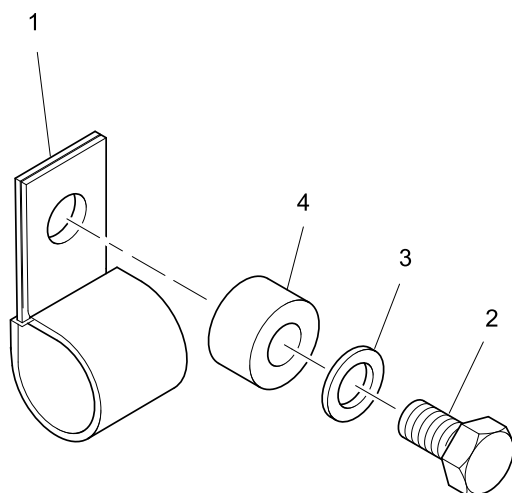
Blanking Plug	Plate B
	GBHS1092

Item	Part No.	References	Qty.	Description	Notes
1	CH10795		3	PLUG	



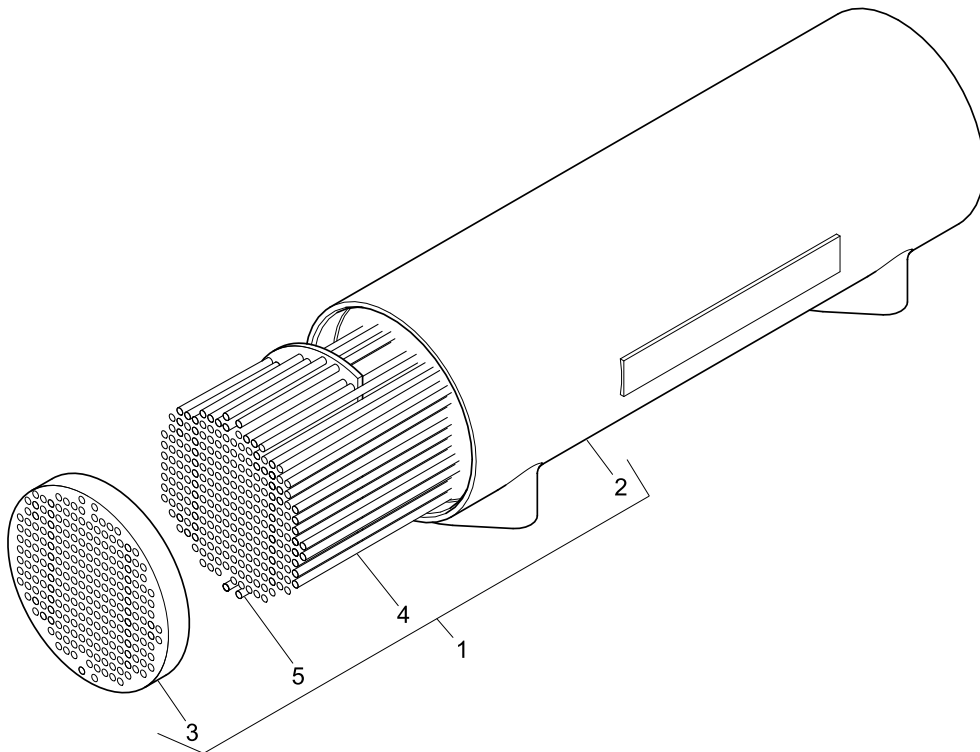
Breather Hose	Plate A
	H1AFH

Item	Part No.	References	Qty.	Description	Notes
1	CH10962		1	PIPE - BREATHER	
2	ST46408		1	CLIP	



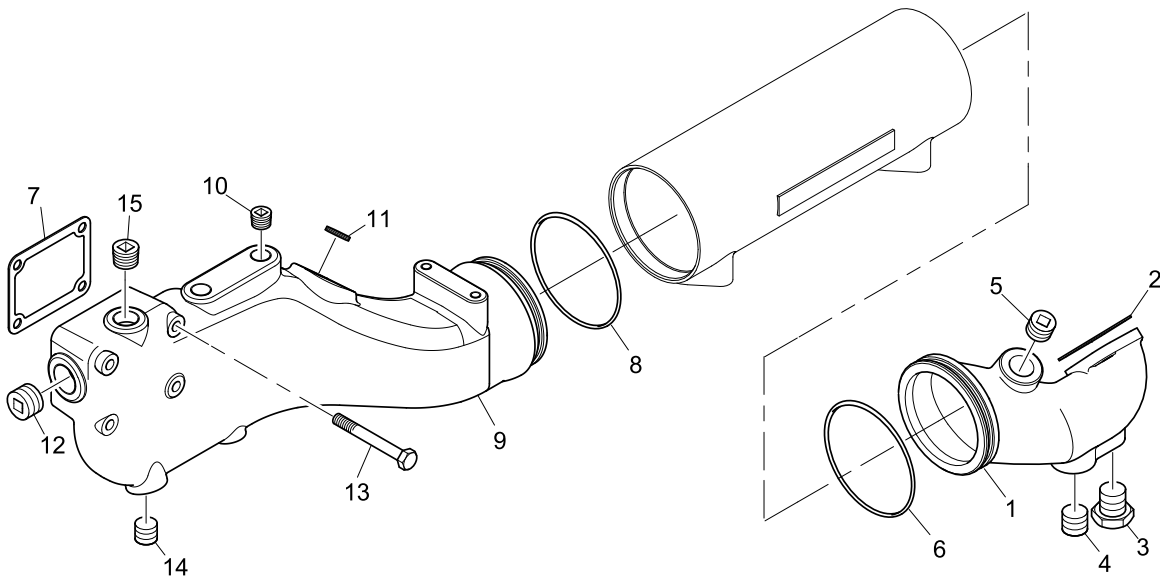
Breather Clip	Plate A
	HBHS1032

Item	Part No.	References	Qty.	Description	Notes
1	CH10850		2	CLIP	
2	CH11897		1	BOLT	
3	CH10255		1	WASHER	
4	CH11983		1	SPACER	



Oil Cooler	Plate A
	JBHD0398

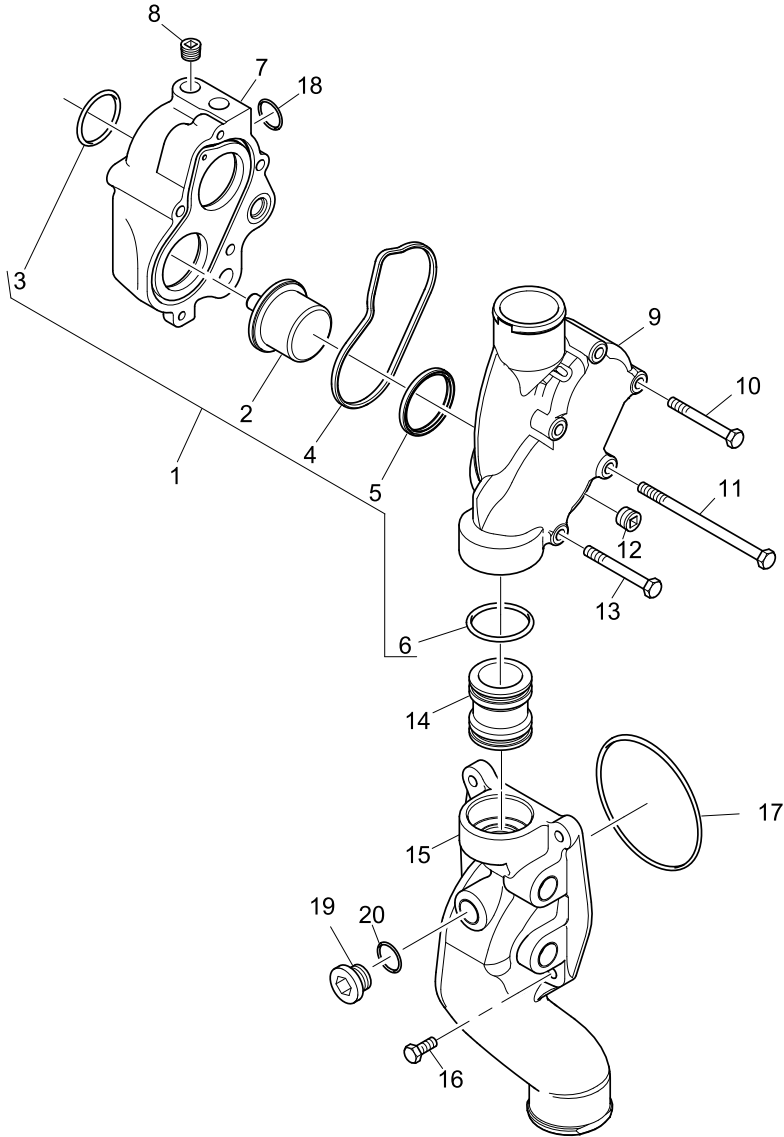
Item	Part No.	References	Qty.	Description	Notes
1	CH10903		1	OIL COOLER	
2		⇒ CH10903	1	HOUSING	
3		⇒ CH10903	2	COVER	
4		⇒	1	TUBESTACK	
5		⇒	2	PLUG	



Item	Part No.	References	Qty.	Description	Notes
1	CH10769		1	PIPE - COOLANT	
2	CH10757		1	SEAL	
3	CH10263		1	PLUG	
4	CH10220		1	PLUG	
5	CH10220		1	PLUG	
6	CH10544		1	SEAL - O RING	
7	CH10579		1	GASKET	
8	CH10544		1	SEAL - O RING	
9	CH10768		1	PIPE - COOLANT	
10	CH10260		2	PLUG	
11	CH10220		1	PLUG	
12	CH10259		1	PLUG	
13	CH10751		4	BOLT	
14	CH10220		1	PLUG	
15	CH10220		1	PLUG	

History**a.**

CH11059	1	BRACKET
CH10579	2	GASKET
CH10815	4	BOLT
CH10537	2	BOLT
CH10537	2	BOLT
CH10541	4	WASHER
CH10541	2	WASHER

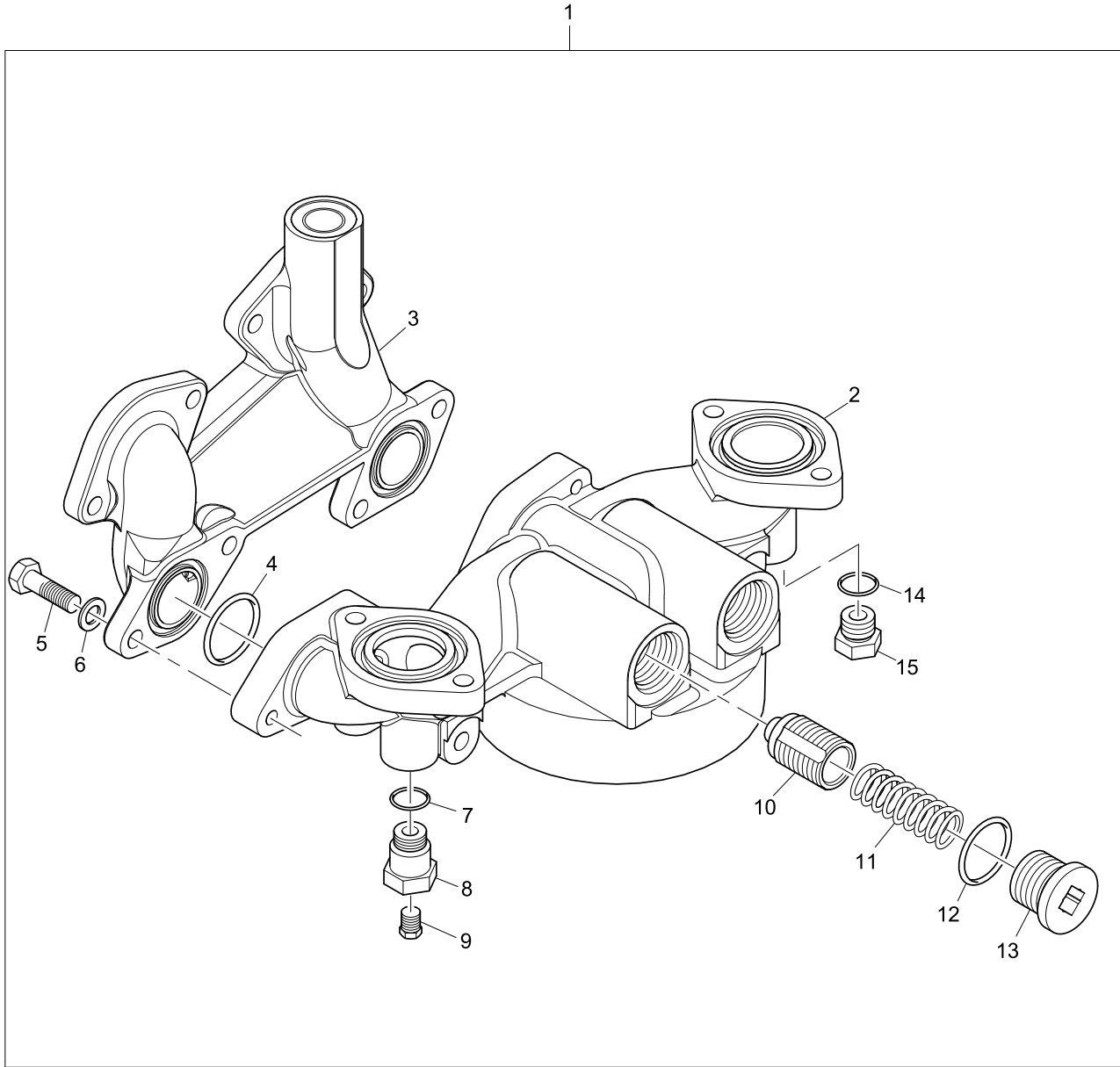


Item	Part No.	References	Qty.	Description	Notes
1	KRP1645		1	THERMOSTAT KIT	
2	CH11620		2	THERMOSTAT	
3	CH10766		1	SEAL - O RING	
4	CH10770		1	SEAL - THERMOSTAT HOUSING	
5	CH10056		2	SEAL - THERMOSTAT HOUSING	
6	CH10755		2	SEAL - O RING	
7	CH11224		1	HOUSING	
8	CH10260		2	PLUG	
9	CH10765		1	THERMOSTAT HOUSING	
10	CH10751		1	BOLT	
11	CH10753		1	BOLT	
12	CH10260		1	PLUG	
13	CH10751		1	BOLT	
14	CH10752		1	PIPE	
15	CH11618		1	COVER	
16	CH10537	4	5	BOLT	
17	CH11619		1	SEAL - O RING	
18	CH11621		3	SEAL - O RING	
19	CH12474	ⓐ a.	3	PLUG	
20	CH11621		1	SEAL - O RING	

History

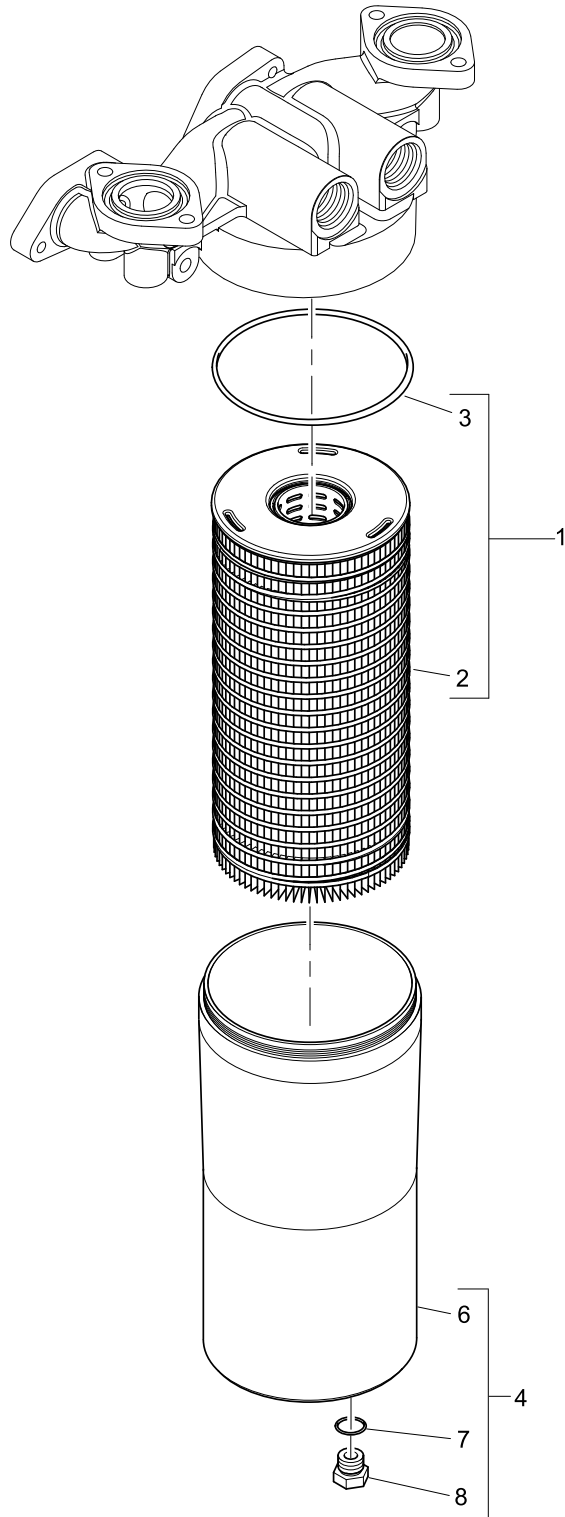
a.

19	CH11622		3	PLUG	
----	---------	--	---	------	--



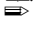




Oil Filter Head	Plate A
	JBHS1155

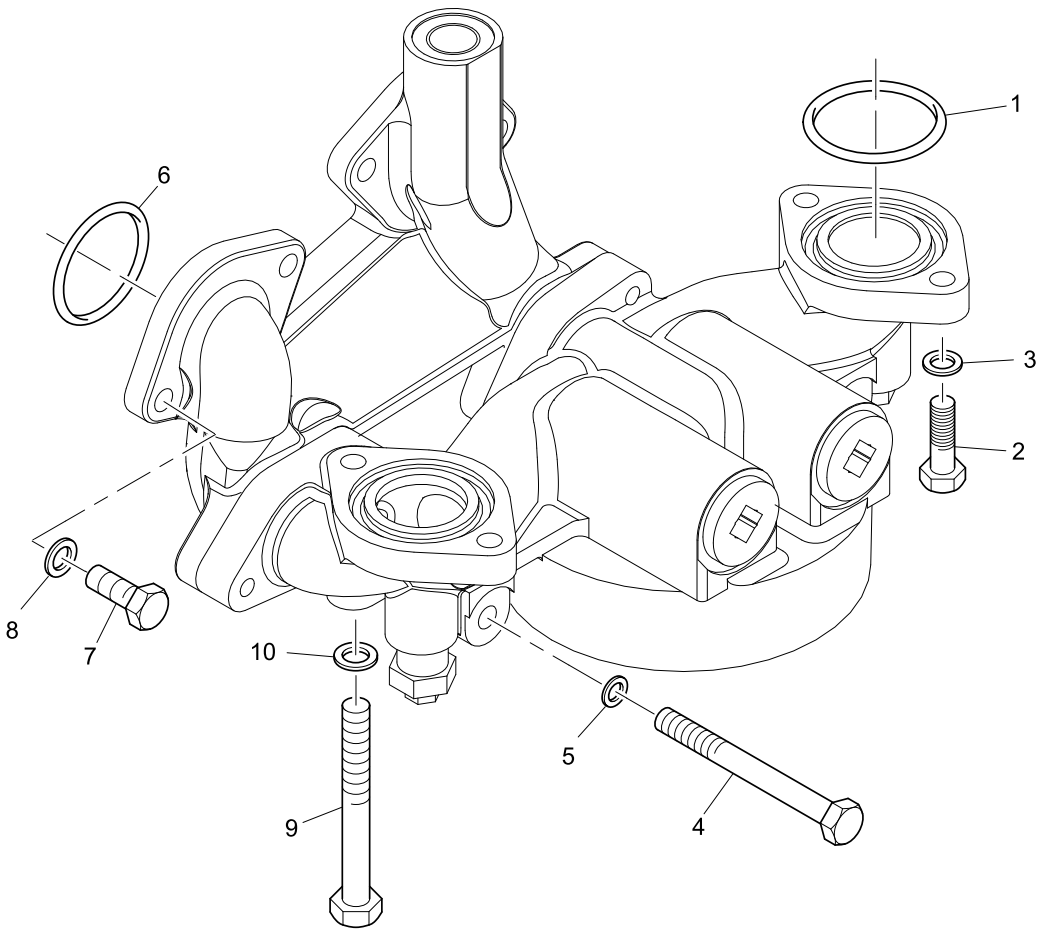
Item	Part No.	References	Qty.	Description	Notes
1	CH11250		1	OIL FILTER HEAD	
2		⇒ CH11250	1	OIL FILTER HEAD	
3	CH10818		1	OIL FILTER HEAD	
4	CH10316		2	SEAL - O RING	
5	CH10567		4	BOLT	
6	CH10541	⚙	4	WASHER	
7	CH10133		1	SEAL - O RING	
8	CH10888		1	ADAPTOR	
9	CH10262		1	PLUG	
10	CH10513		2	RELIEF VALVE	
11	CH10819		2	SPRING	
12	CH10091		2	SEAL - O RING	
13	CH10291		2	PLUG	
14	CH10133		1	SEAL - O RING	
15	CH10284		1	PLUG	








Oil Filter	Plate B
	JBHS1155

Item	Part No.	References	Qty.	Description	Notes
1	CH10929		1	OIL FILTER	
2		⇒ CH10929	1	OIL FILTER	
3	CH12010		1	SEAL	
4	KRP1719	 a. → U22704V	1	OIL FILTER	
5		 a.  KRP1719	1	OIL FILTER BODY	
6		 a.  KRP1719	1	HOUSING	
7	CH10046		1	SEAL - O RING	
8	CH10284		1	PLUG	

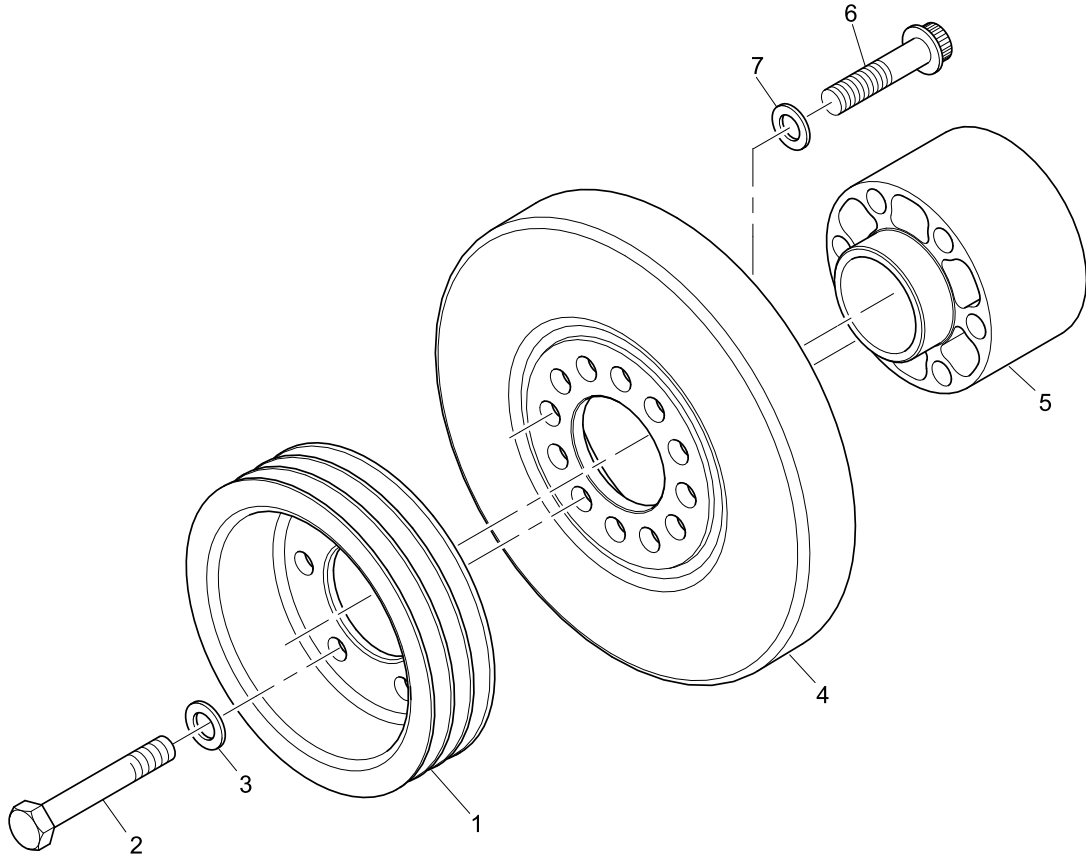
History					
a.					
	CH10284	→ U22703V	1	PLUG	
4	KRP1570	→ U22703V	1	HOUSING	
5		→ U22703V ⇒	1	HOUSING	
6	CH10046	→ U22703V	1	SEAL - O RING	
b.					
	CH11139		1	SEAL - O RING	





Item	Part No.	References	Qty.	Description	Notes
1	T400222	 a.	2	SEAL - O RING	
2	CH10567		2	BOLT	
3	CH10255	 a.	2	WASHER	
4	CH10814		2	BOLT	
5	CH10255	 a.	2	WASHER	
6	CH10224		2	SEAL - O RING	
7	CH10815		4	BOLT	
8	CH10255	 a.	4	WASHER	
9	CH10751		2	BOLT	
10	CH10255	 a.	2	WASHER	

History

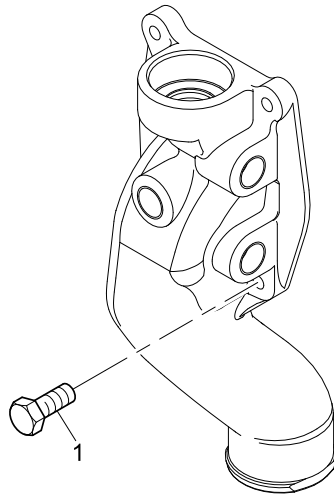
a.					
1	CH10816		2	SEAL - O RING	
3	CH10541		2	WASHER	
5	CH10541		2	WASHER	
8	CH10541		4	WASHER	
10	CH10541		2	WASHER	



Front End Drive Input	Plate A
	KBHS1053

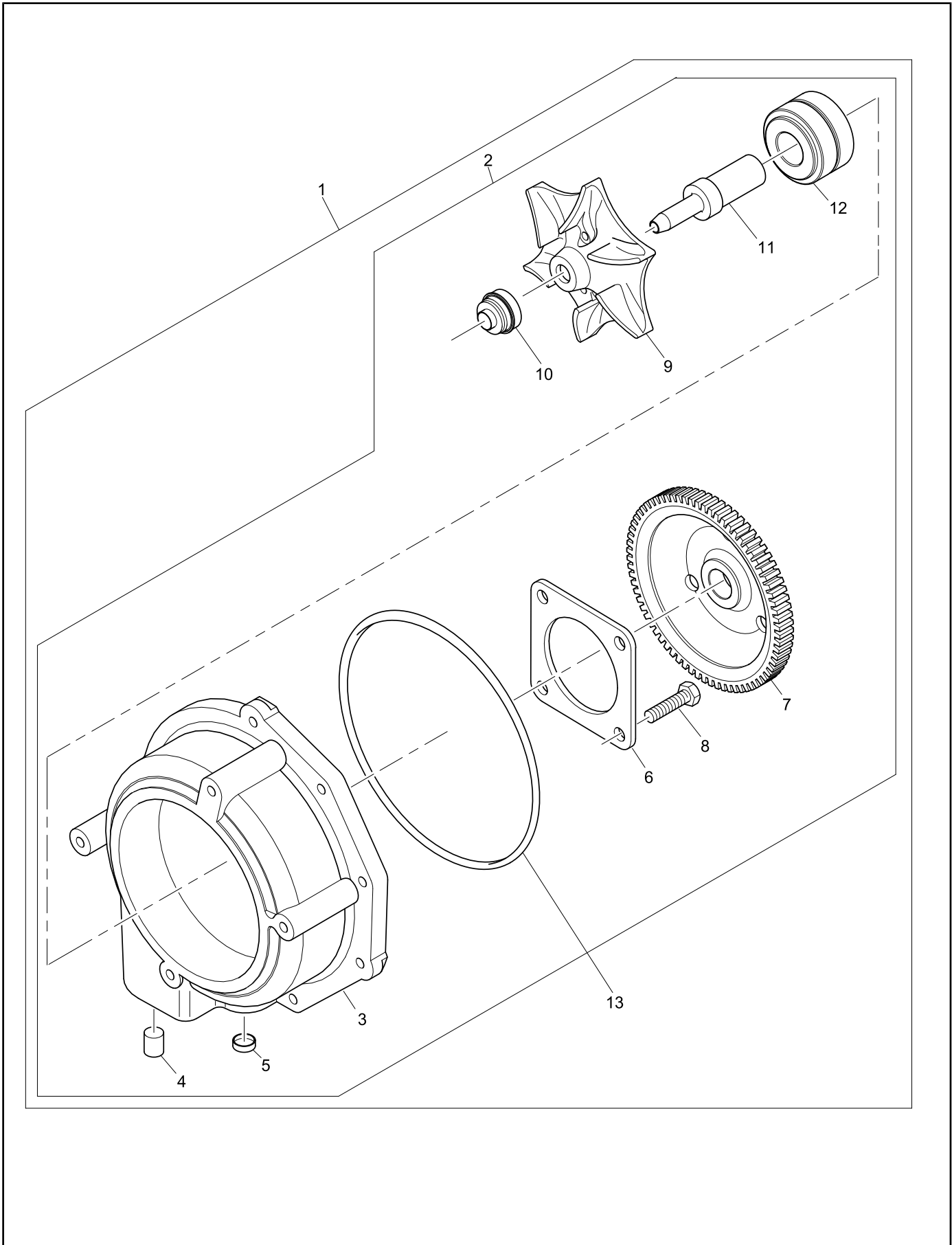
Item	Part No.	References	Qty.	Description	Notes
1	CH11648		1	CRANKSHAFT PULLEY	
2	CH10809	 b.	6	BOLT	
3	CH11651		6	WASHER	
4	CH11745	 a.	1	DAMPER	
5	CH11647		1	ADAPTOR	
6	CH11652		12	BOLT	
7	CH11650		12	WASHER	

History					
a.					
4	CH11646		1	DAMPER	
b.					
2	CH11649		6	BOLT	










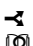






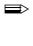
Water Pump	Plate A
	LBHD0089

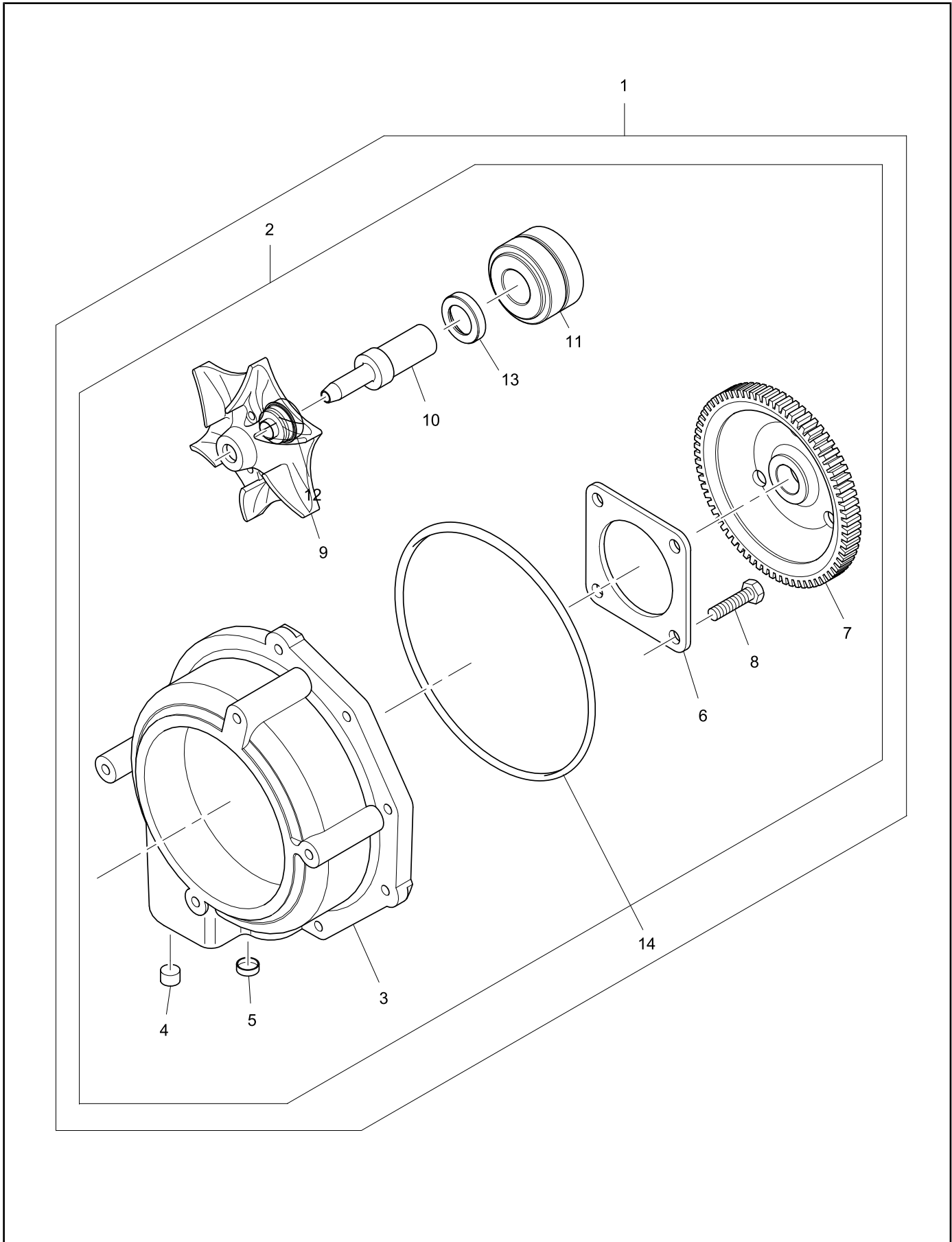
Item	Part No.	References	Qty.	Description	Notes
1	CH11895		1	BOLT	



Water Pump	Plate A
	LBHD0090

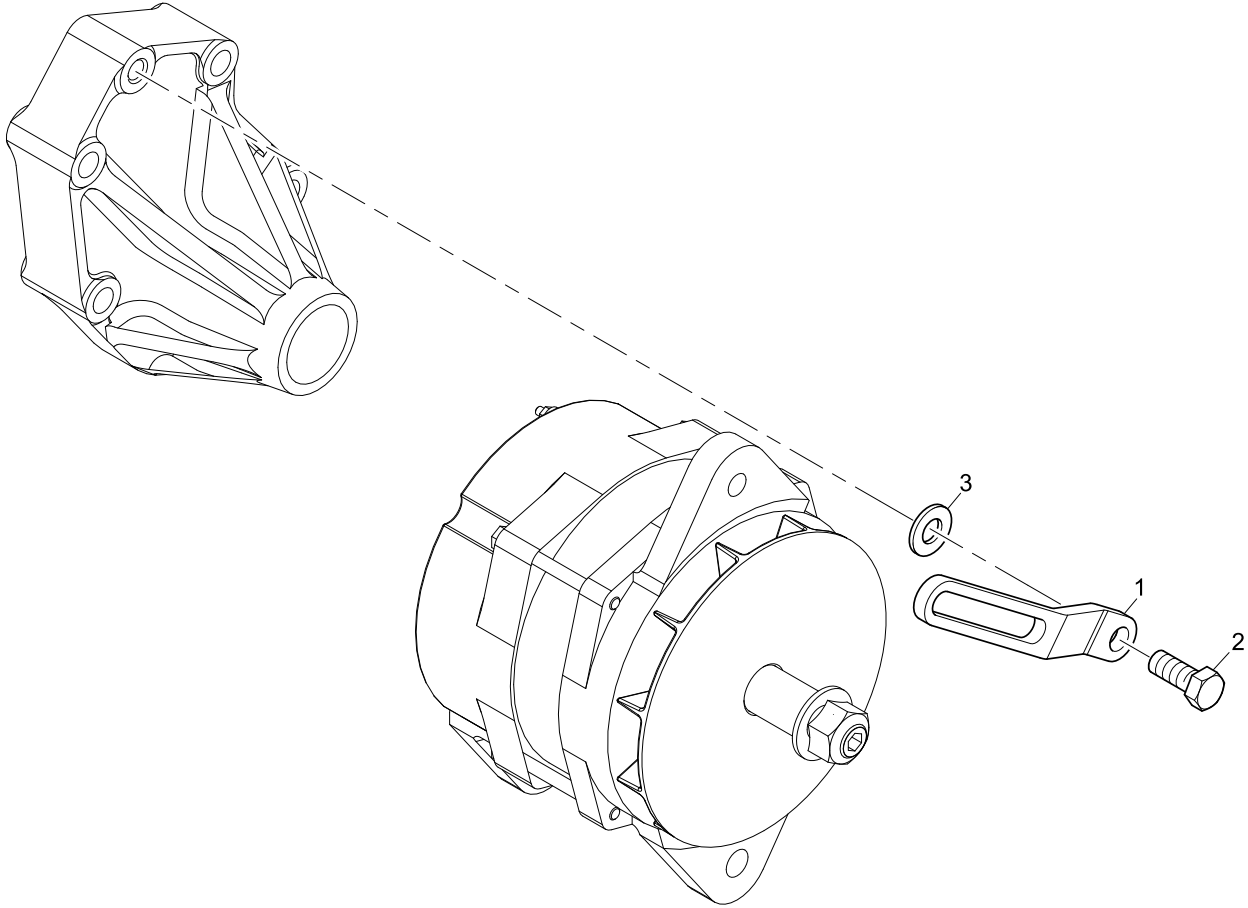
Item	Part No.	References	Qty.	Description	Notes
1	KRP1678	 a.	1	WATER PUMP KIT	
2		 a.  KRP1678	1	WATER PUMP	
3		 a.  KRP1678	1	WATER PUMP HOUSING	
4	CH11634		1	STRAINER	
5	CH11545		1	PLUG	
6	CH10559	 a.	1	PLATE	
7	CH11544	 a.	1	WATER PUMP GEAR	
8	CH10557	 a.	1	BOLT	
9	CH11943	 a.	1	IMPELLER	
10	CH11941	 a.  a.	1	SEAL - WATER PUMP	
11	CH11942	 a.	1	SHAFT	
12	CH10558	 a.	1	ROLLER BEARING	
13	CH11568		1	SEAL - O RING	

History					
a.					
	CH11545		1	PLUG	
1	KRP1644		1	WATER PUMP KIT	
2			1	WATER PUMP	
3			1	WATER PUMP HOUSING	
6	CH10559		1	PLATE	
7	CH11544		1	WATER PUMP GEAR	
8	CH10557		4	BOLT	
9	CH11547		1	IMPELLER	
10	CH10552		1	SEAL - WATER PUMP	
11	CH10554		1	SEAL - WATER PUMP	
12	CH11546		1	SHAFT	



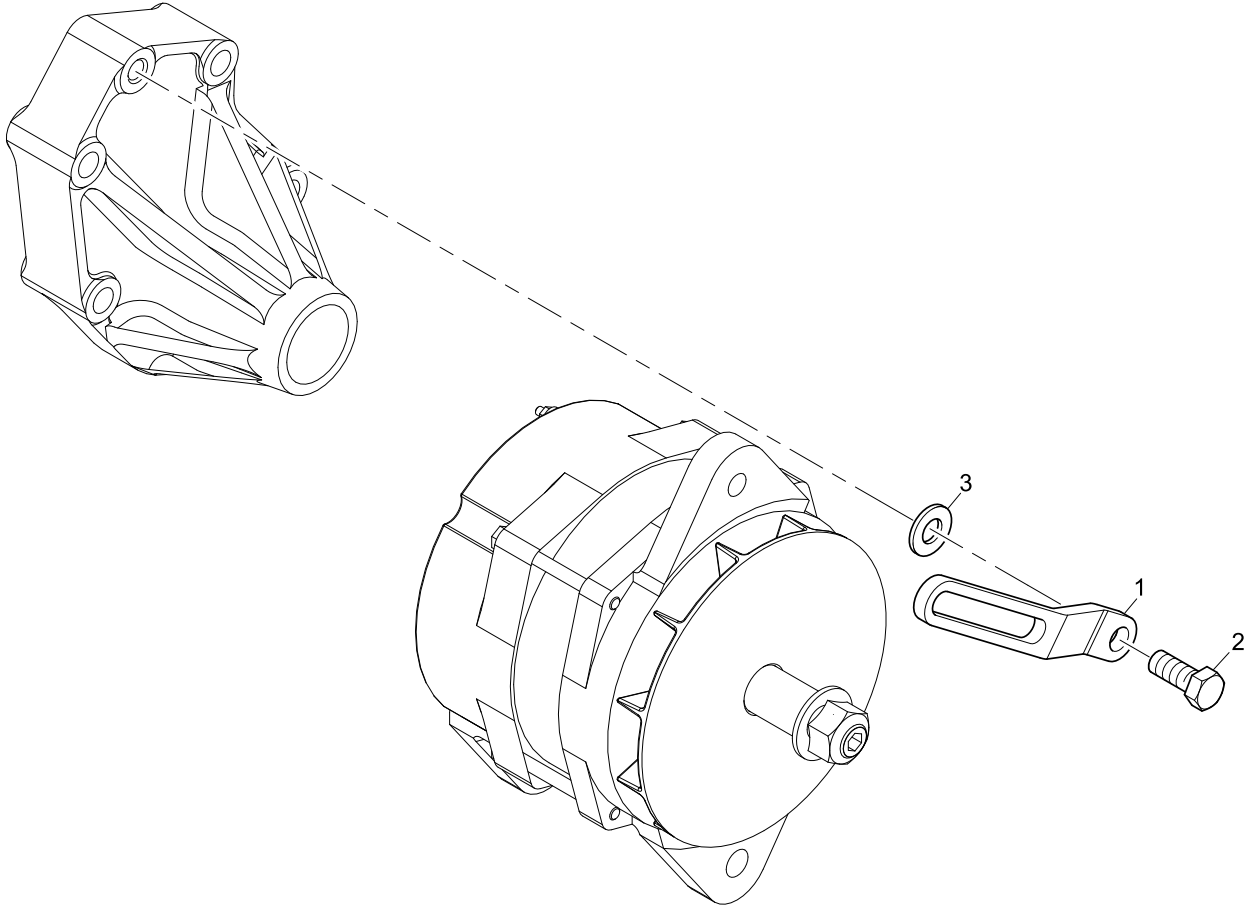
Water Pump	Plate A
↳ U18532S	LBHD0090

Item	Part No.	References	Qty.	Description	Notes
1	KRP1715		1	WATER PUMP KIT	
2		⇒ KRP1715	1	WATER PUMP	
3		⇒ KRP1715	1	WATER PUMP HOUSING	
4	CH12680		1	STRAINER	
5	CH11545		1	PLUG	
6	CH10559		1	PLATE	
7	CH11544		1	WATER PUMP GEAR	
8	CH10557		4	BOLT	
9	CH11943		1	IMPELLER	
10	CH11942		1	SHAFT	
11	CH10558		1	ROLLER BEARING	
12	CH12791		1	SEAL	
13	CH10554		1	SEAL - WATER PUMP	
14	CH10545		1	SEAL - O RING	



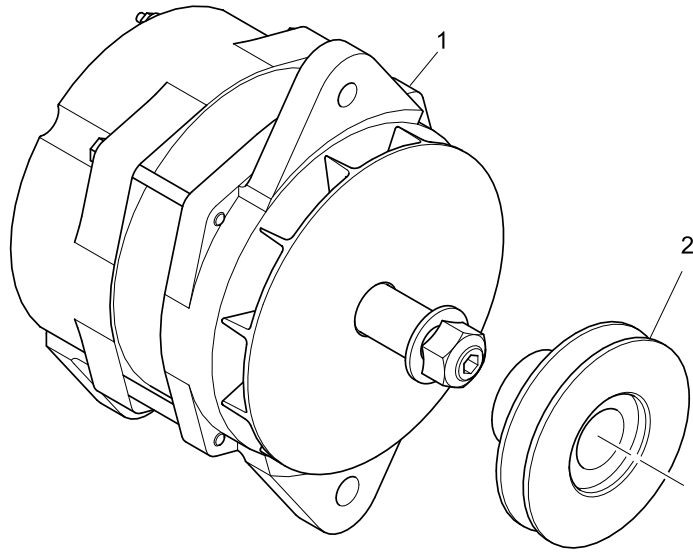
Alternator Mounting	Plate A
→ U15414W	N1AFH

Item	Part No.	References	Qty.	Description	Notes
1	CH11034		1	ALTERNATOR BRACKET	
2	ST29054		1	SCREW	
3	ST15905		1	WASHER	



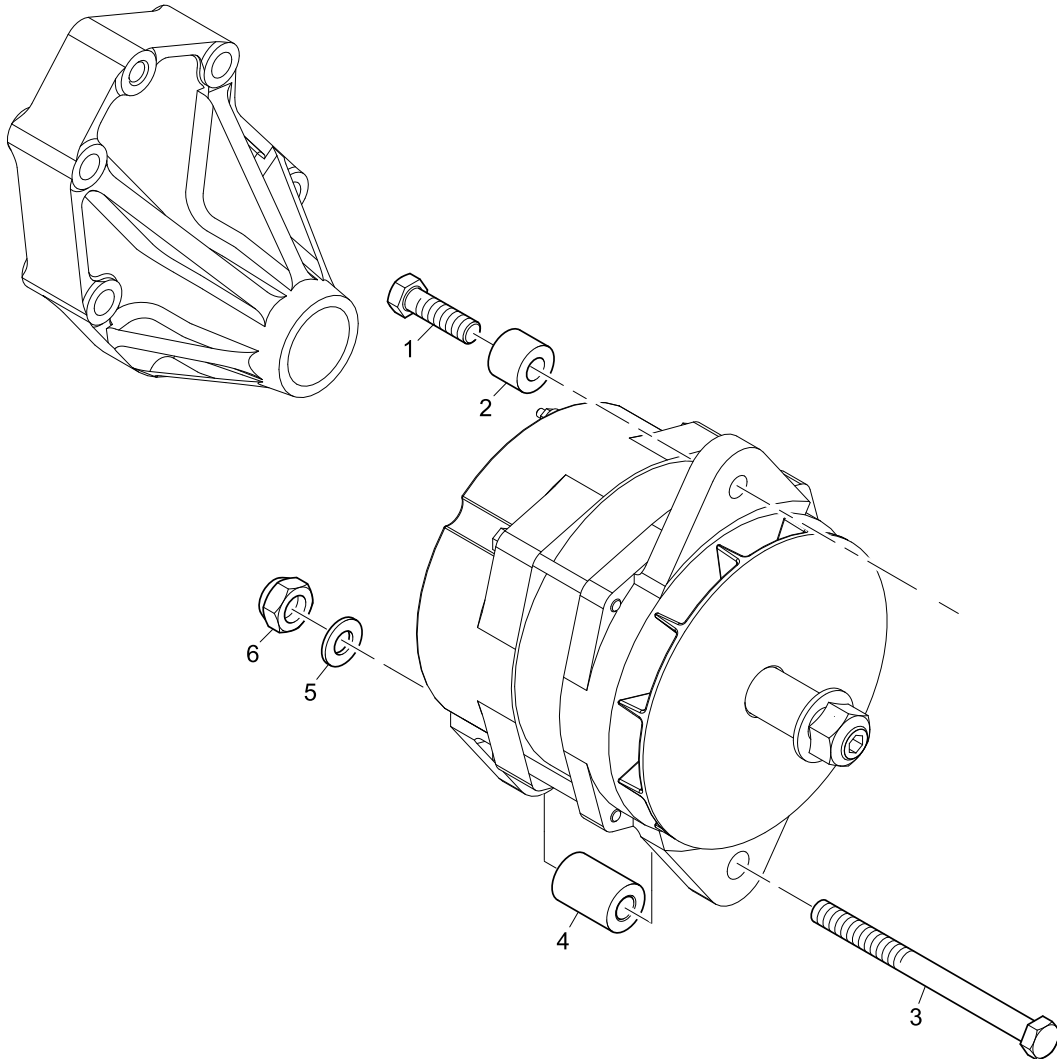
Alternator Mounting	Plate A
↳ U15415W	N1AFH

Item	Part No.	References	Qty.	Description	Notes
1	CH12835		1	ALTERNATOR BRACKET	
2	ST29054		1	SCREW	
3	ST15905		1	WASHER	



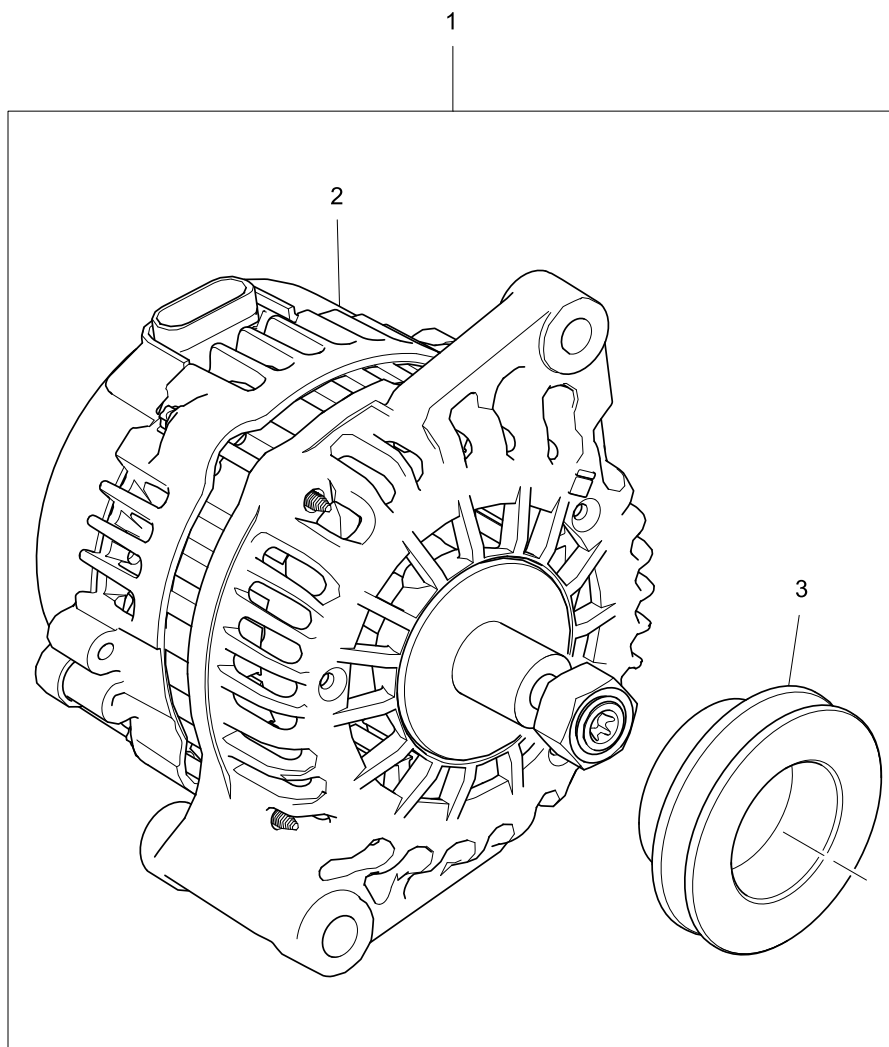
Alternator	Plate A
→ U15414W	N1BFH

Item	Part No.	References	Qty.	Description	Notes
1	CH11087	↔	1	ALTERNATOR	
2	CH11036		1	ALTERNATOR PULLEY	
Service Options					
1	R/CH11087		1	EXCHANGE ALTERNATOR	



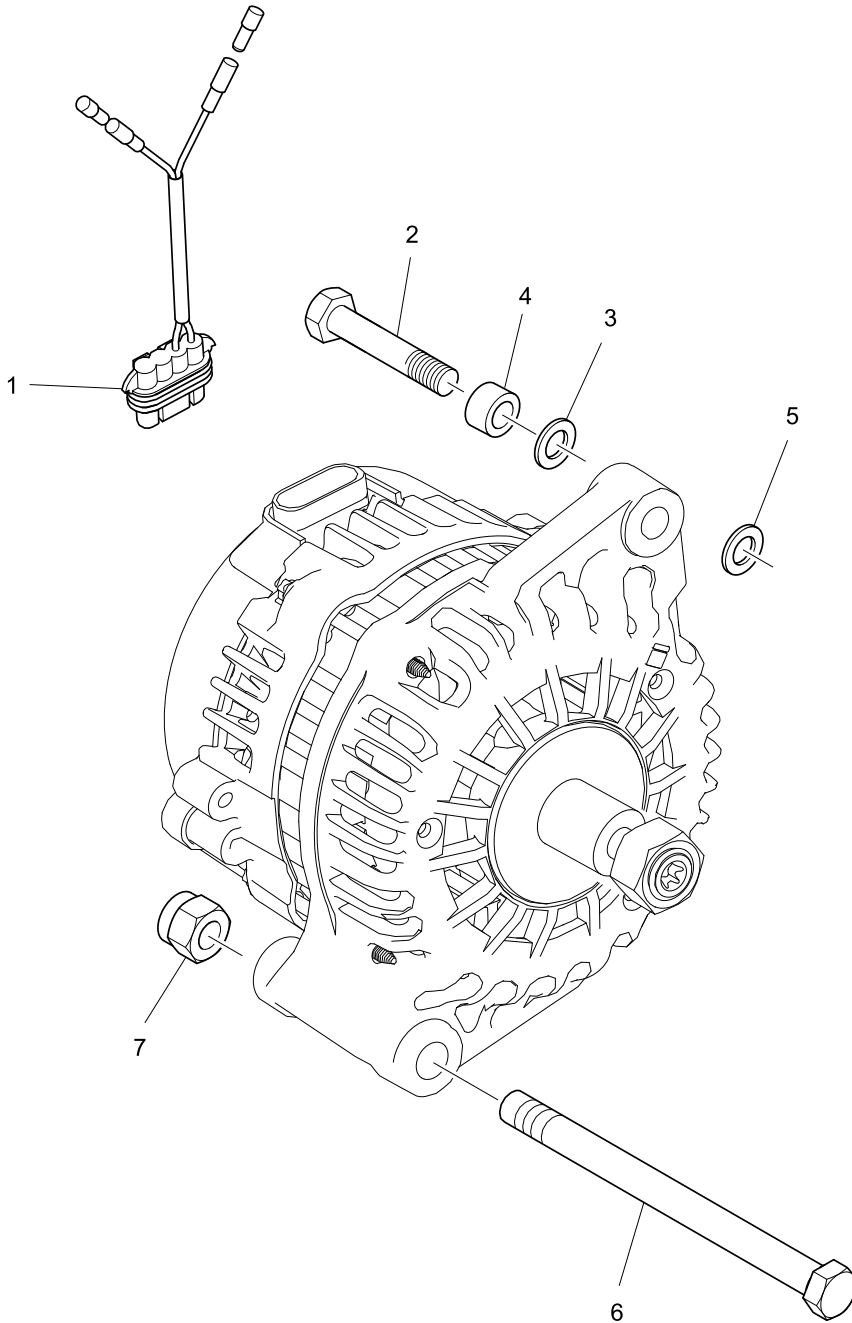
Alternator Bracket & Fixings	Plate A
→ U15414W	N1BFH

Item	Part No.	References	Qty.	Description	Notes
1	ST29802		1	SCREW	
2	OE49437		1	SPACER	
3	UF1676		1	BOLT	
4	CH11035		1	SPACER	
5	ST15905		2	WASHER	
6	UF4357		1	NUT	




Alternator	Plate A
↳ U15415W	N1BFH

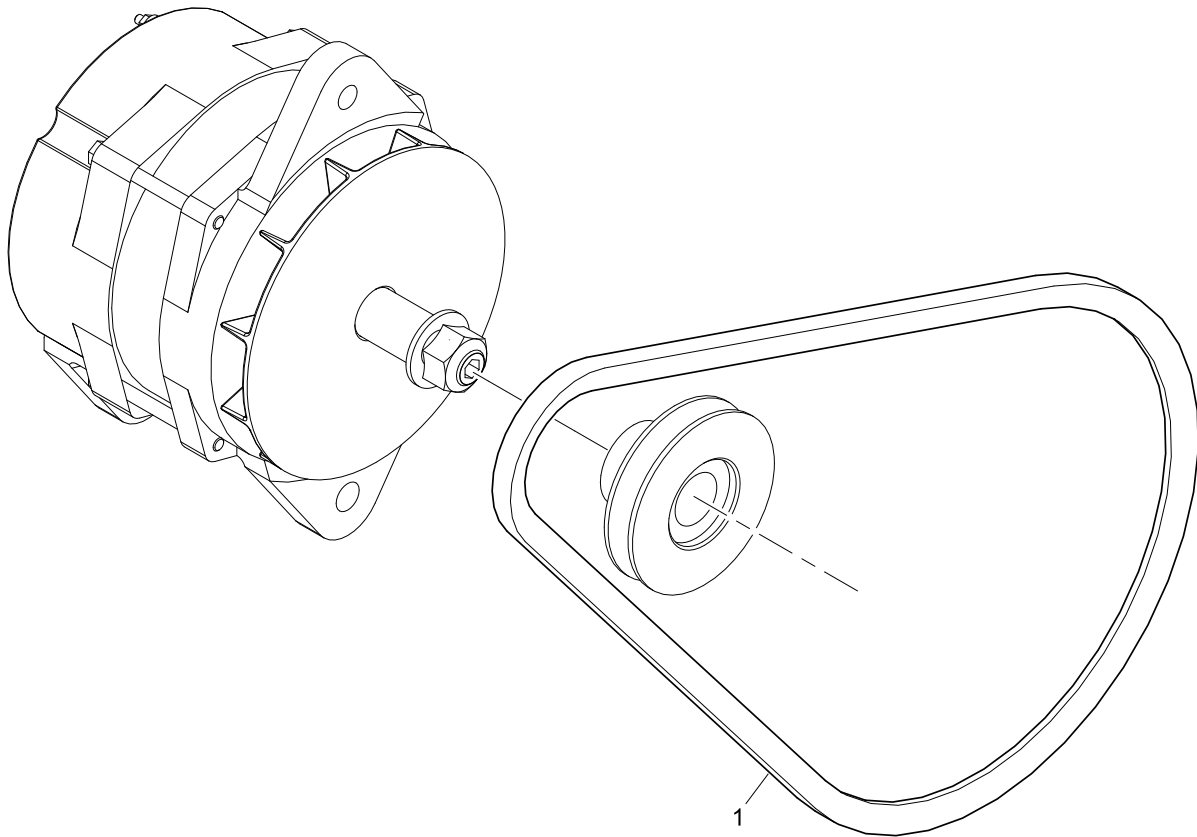
Item	Part No.	References	Qty.	Description	Notes
1	CH12876		1	ALTERNATOR	
2		⇒ CH12876	1	ALTERNATOR	
3	CH12877		1	ALTERNATOR PULLEY	



Alternator Bracket & Fixings	Plate A
↳ U15415W	N1BFH

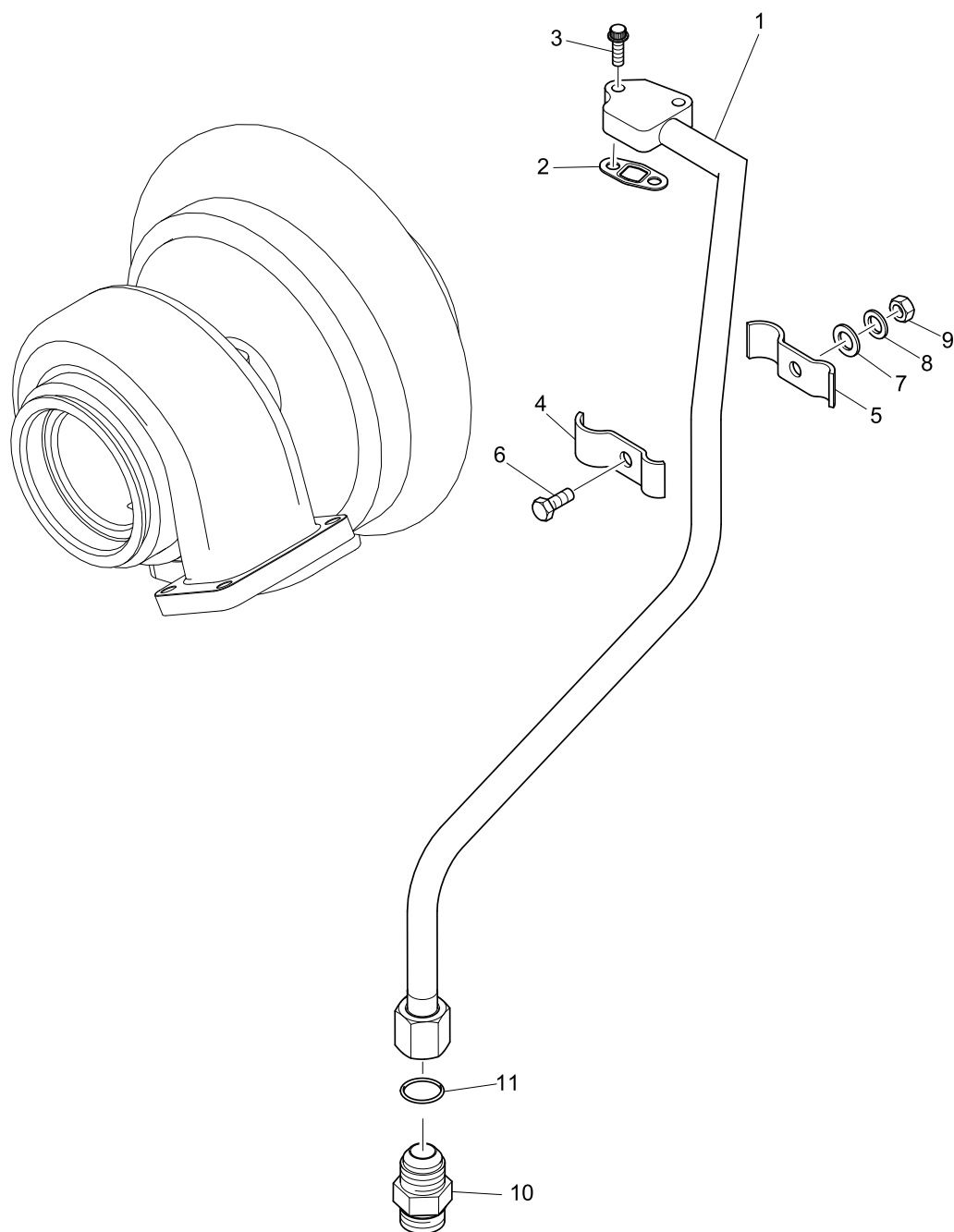
Item	Part No.	References	Qty.	Description	Notes
1	3161C093		1	WIRING HARNESS	
2	0096439		1	BOLT	
3	0920004		1	WASHER	
4	CH11896	 a.	1	SPACER	
5	0920004		1	WASHER	
6	2186431		1	SCREW	
7	0576304		1	NUT	

History					
a.					
4	CH12891		1	SPACER	



Alternator Belt	Plate A
	N1CFH

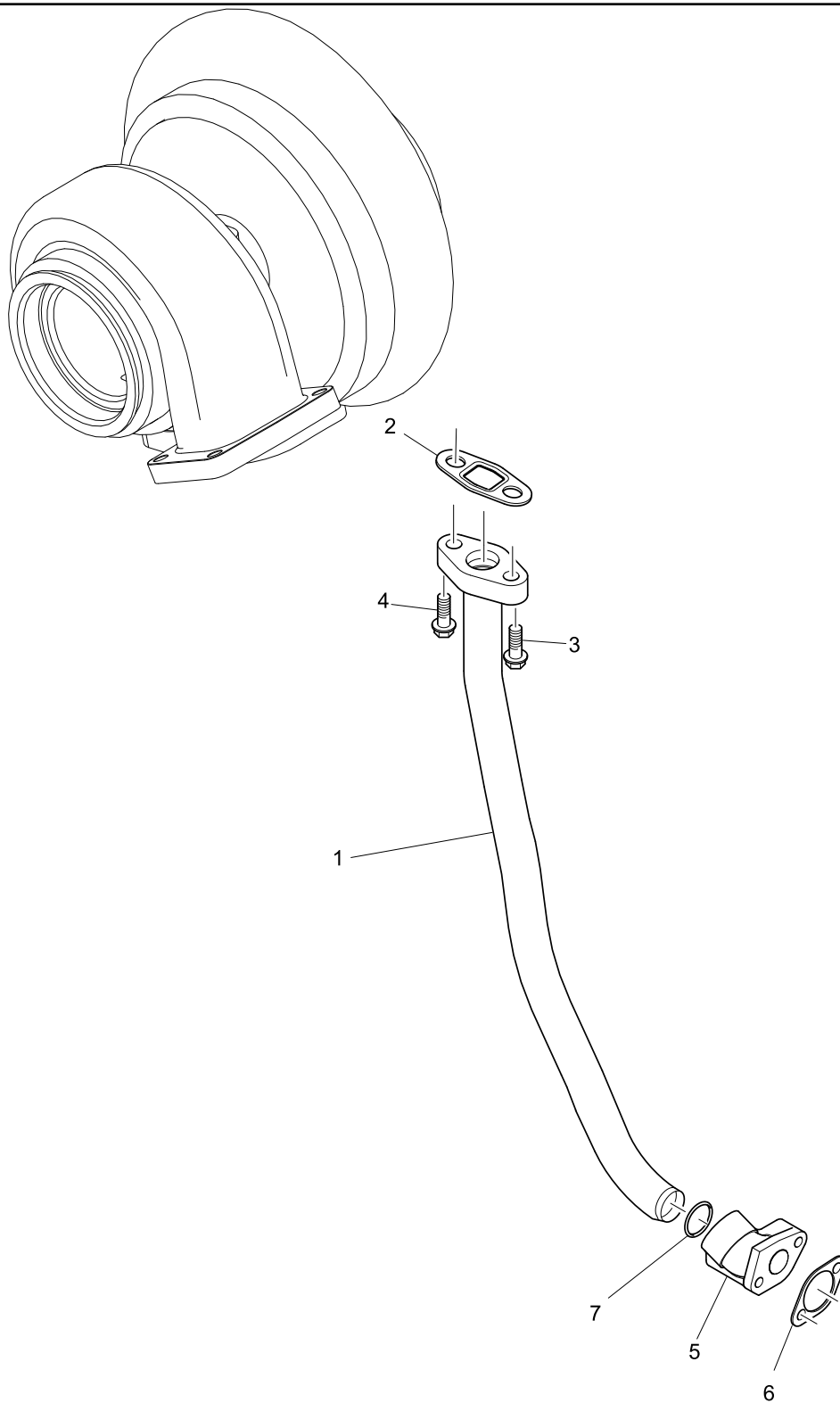
Item	Part No.	References	Qty.	Description	Notes
1	CH11202		1	BELT	



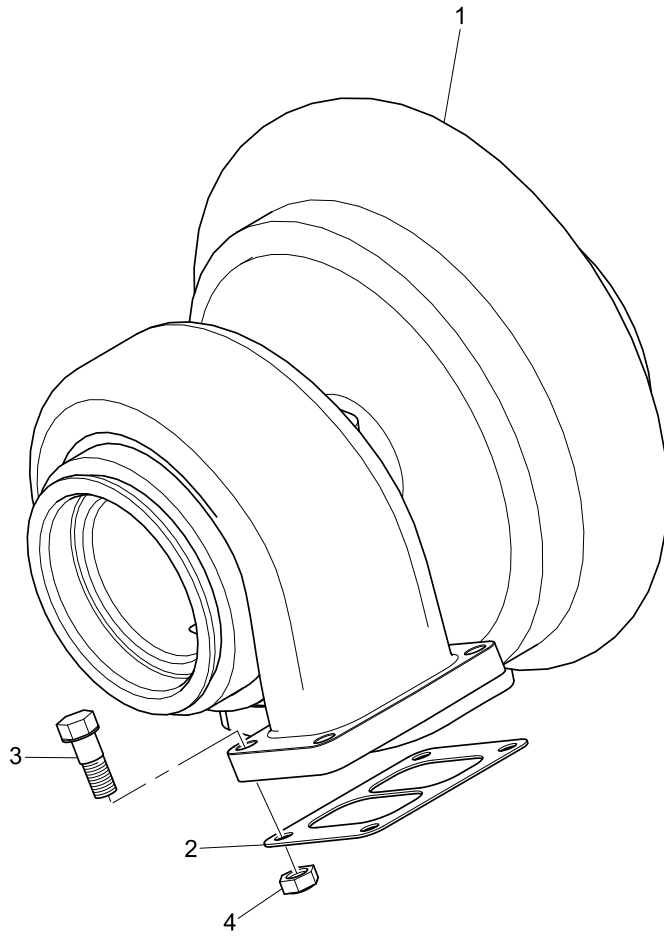
Feed Pipes	Plate A
	SBHD0165

Item	Part No.	References	Qty.	Description	Notes
1	CH11978		1	PIPE - TURBO OIL FEED	
2	CH11223		1	GASKET	
3	CH10609	↖	2	BOLT	
4	CH10915		1	CLAMP	
5	CH10915		1	CLAMP	
6	CH10815		1	BOLT	
7	CH10916		1	WASHER	
8	CH10255		1	WASHER	
9	CH10798		1	NUT	
10	CH10806	ⓐ a.	1	CONNECTOR	
11	T400188	ⓑ b.	1	SEAL - O RING	

History					
a.					
10	CH11980		1	CONNECTOR	
b.					
11	CH11479		1	SEAL - O RING	



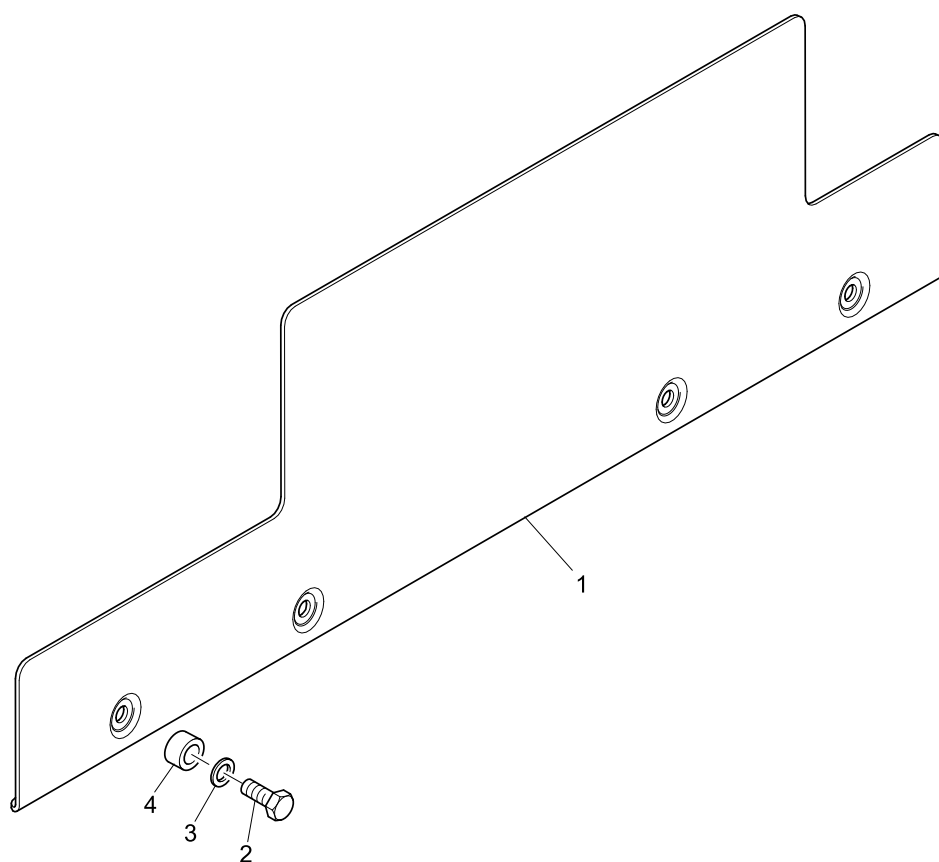
Item	Part No.	References	Qty.	Description	Notes
1	CH11977		1	PIPE - TURBO OIL DRAIN	
2	CH11979		1	GASKET	
3	CH10609	4	1	BOLT	
4	CH10538		1	BOLT	
5	CH11558		1	ELBOW	
6	CH11560		1	SEAL	
7	CH11562		1	SEAL - O RING	



Turbocharger	Plate A
	SBHD0167

Item	Part No.	References	Qty.	Description	Notes
1	CH11947		1	TURBOCHARGER	(1)
2	CH11471		1	GASKET - TURBOCHARGER	
3	CH10733		4	BOLT	
4	CH10734		4	NUT	

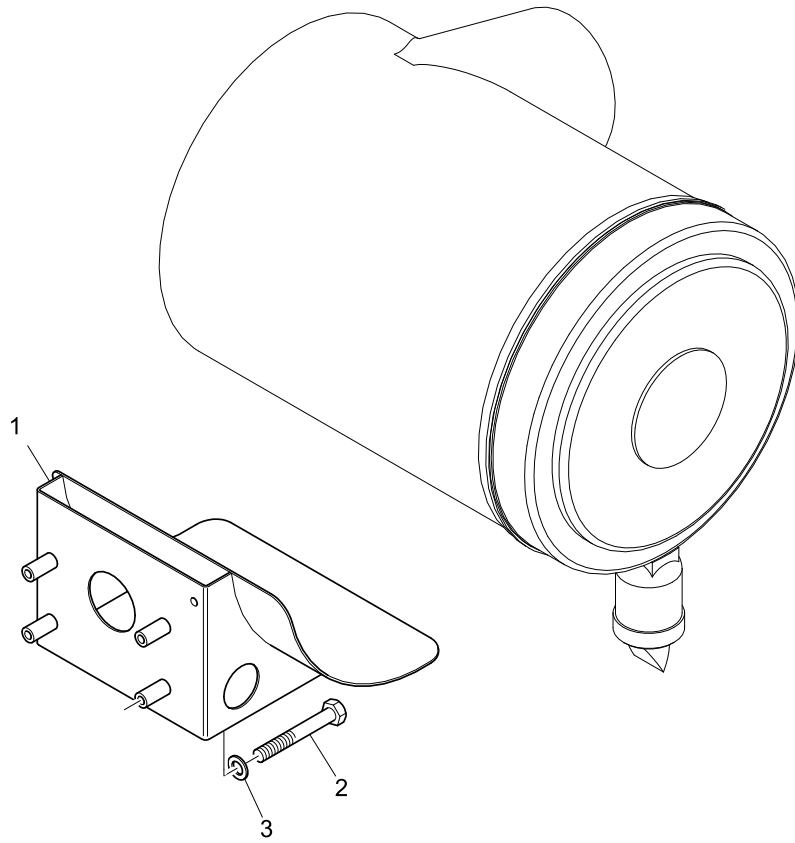
Footnotes	
(1)	60Hz



Heatshield	Plate A
	SBHS1087

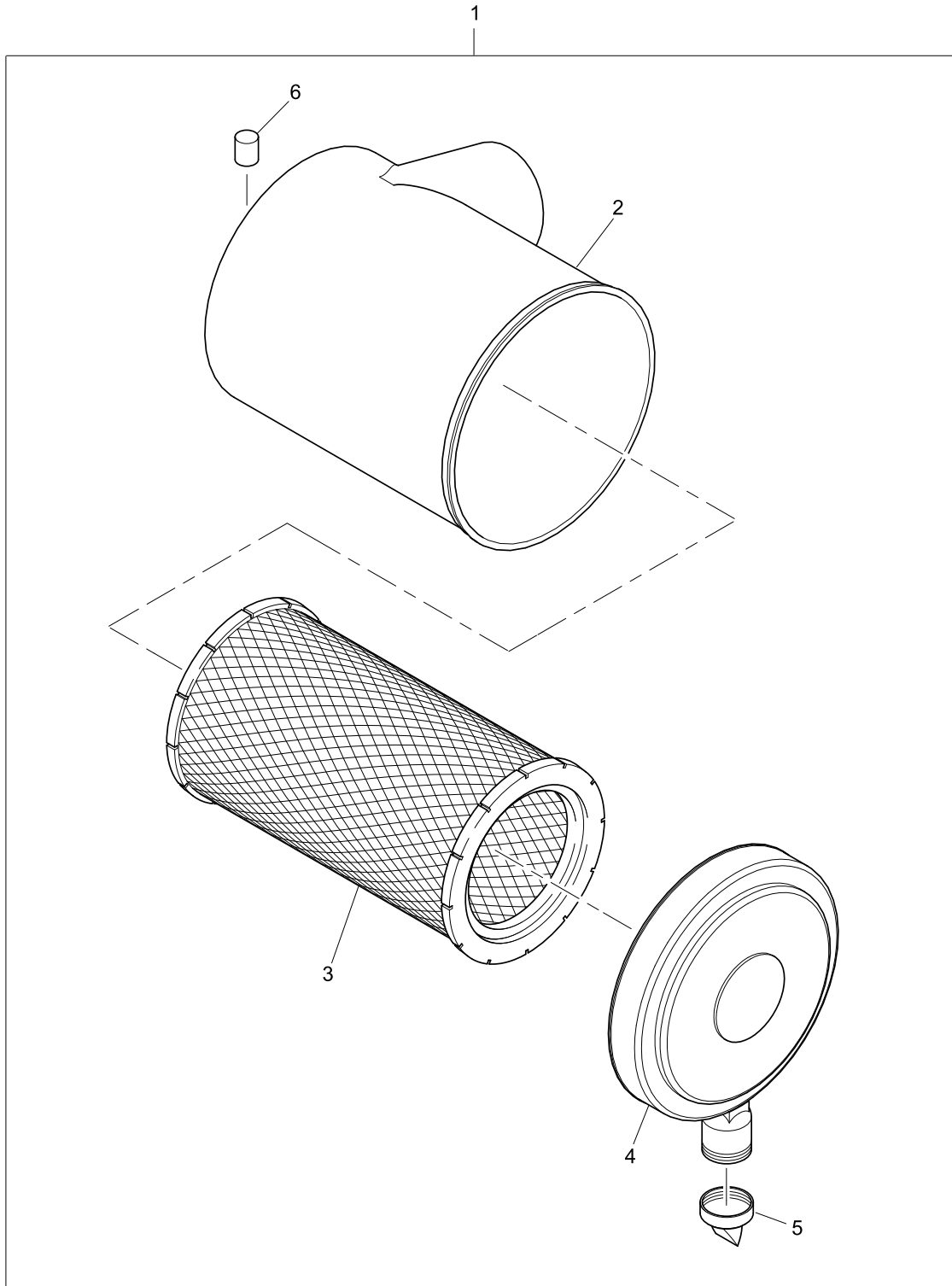
Item	Part No.	References	Qty.	Description	Notes
1	CH10936	↔	1	HEATSHIELD	
2	CH11895	ⓐ a. b.	4	BOLT	
3	CH10255	ⓐ a.	4	WASHER	
4	CH11896	ⓐ a.	4	SPACER	

History					
a.					
2	CH10537		4	BOLT	
3	CH10541		4	WASHER	
4	CH11316		4	SPACER	
b.					
2	CH11071		4	BOLT	

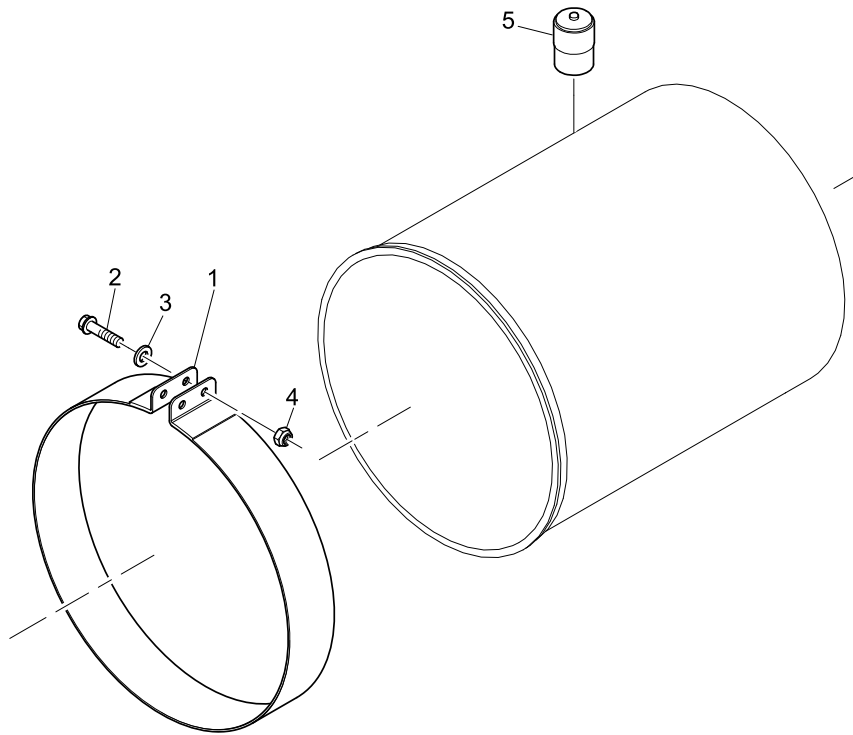


Air Filter Mounting	Plate A
	T1AFH

Item	Part No.	References	Qty.	Description	Notes
1	CH11105		1	BRACKET	
2	2234215		4	BOLT	
3	0920004		4	WASHER	

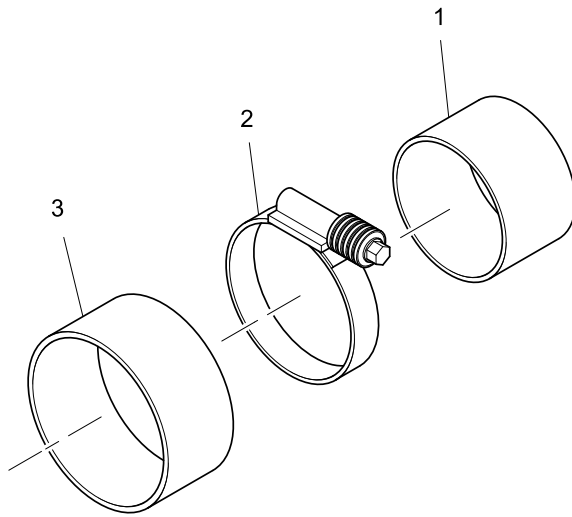


Item	Part No.	References	Qty.	Description	Notes
1	CH11038		1	AIR FILTER ASSEMBLY	
2		⇒ CH11038	1	AIR FILTER BODY	
3	SEV551F/4		1	MAIN AIR FILTER	
4	CH11287		1	COVER	
5	CV4178		1	VALVE	
6	CV10891		1	CAP	



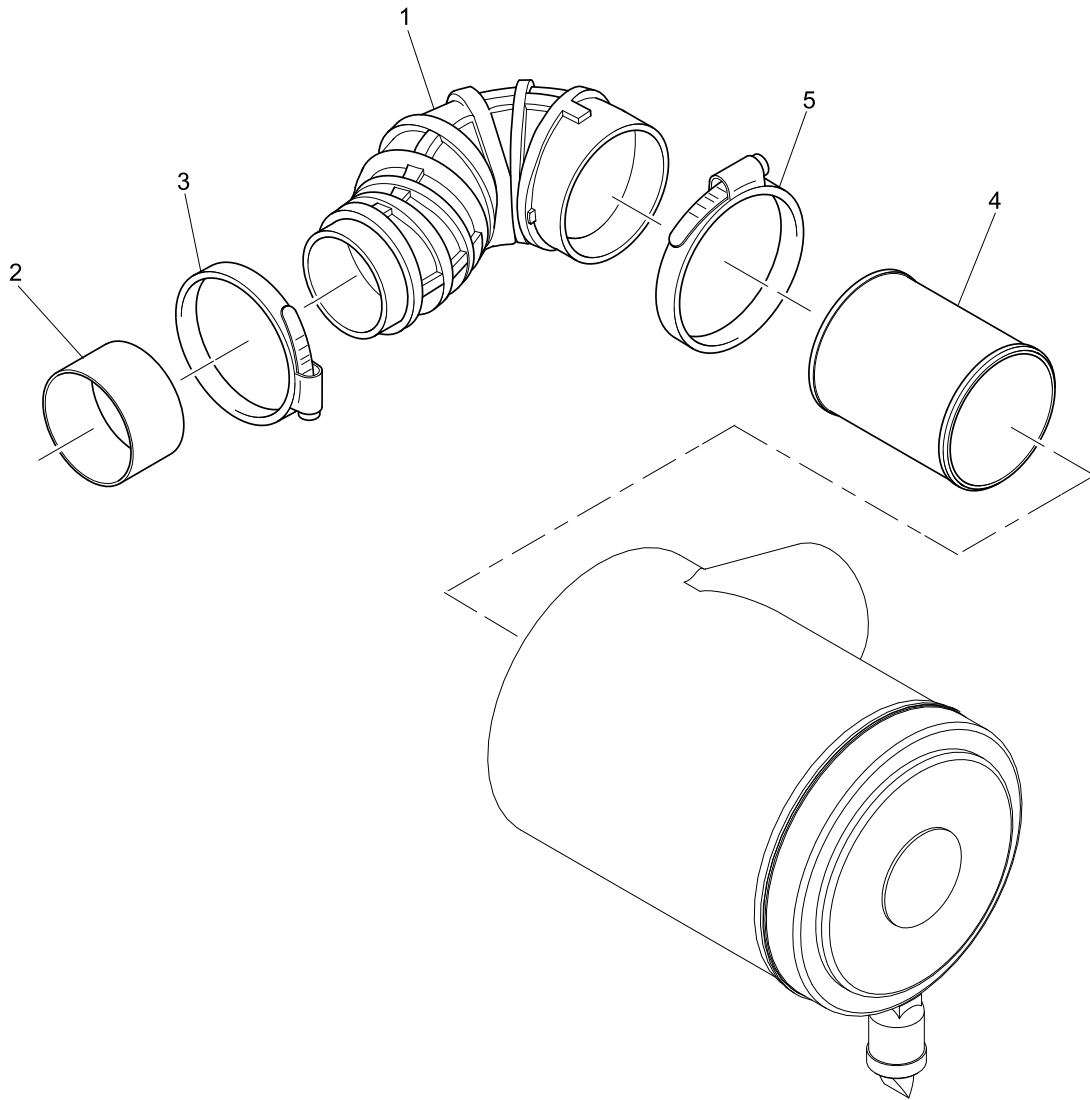
Air Filter Mounting	Plate B
	T1BFH

Item	Part No.	References	Qty.	Description	Notes
1	CH11221		1	BAND	
2	2315A381		2	BOLT	
3	CV70393		2	WASHER	
4	2318D010		2	NUT	
5	CV5479		1	INDICATOR	



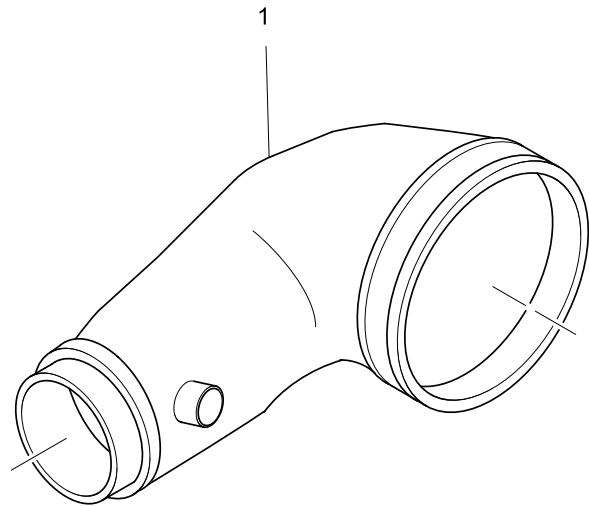
Air Duct	Plate A
	T1BFH

Item	Part No.	References	Qty.	Description	Notes
1	CH11383		1	HOSE	
2	525/62		2	HOSE CLIP	
3	CH11384		1	HOSE	




Air Duct	Plate A
	T1BFH

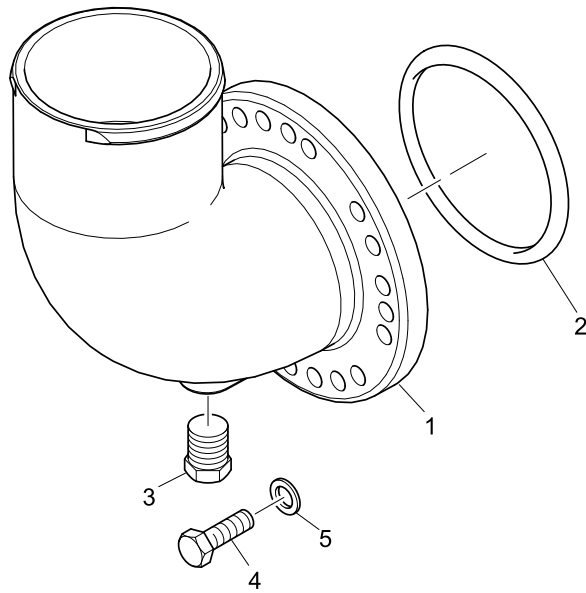
Item	Part No.	References	Qty.	Description	Notes
1	CH11040	↔	1	AIR DUCT	
2	ST91130		1	HOSE	
3	ST46419		1	HOSE CLIP	
4	CH11082		1	AIR DUCT	
5	ST46419		1	HOSE CLIP	



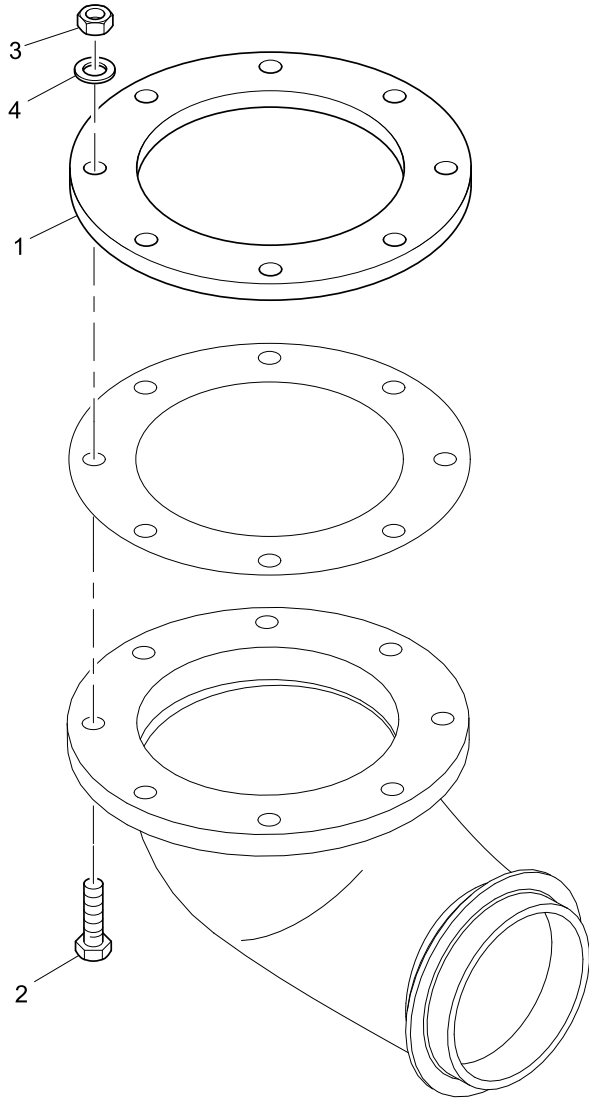
Air Duct	Plate A
	T1CFH

Item	Part No.	References	Qty.	Description	Notes
1	CH12785	 a.	1	AIR DUCT	





History					
a.					
1	CH12797		1	AIR DUCT	



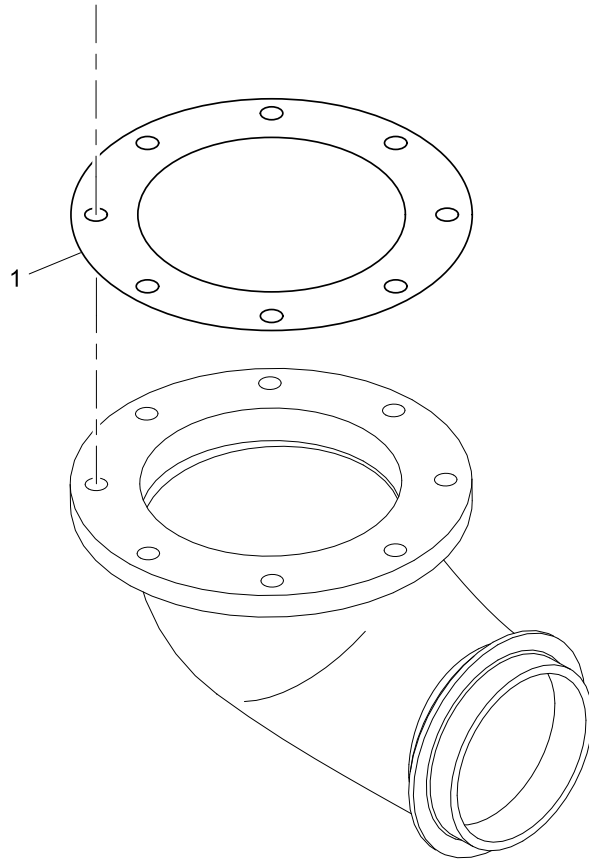
Item	Part No.	References	Qty.	Description	Notes
1	CH11613		1	ELBOW	
2	CH11614		1	SEAL - O RING	
3	CH10262		1	PLUG	
4	CH10567		4	BOLT	
5	CH10255		4	WASHER	



Exhaust Outlet Flange	Plate A
	U1AFH

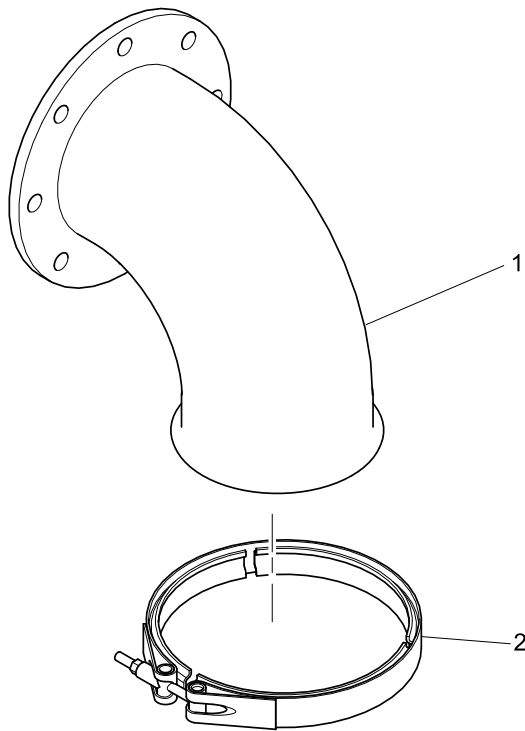
Item	Part No.	References	Qty.	Description	Notes
1	CH11605	 a.	1	EXHAUST FLANGE	
2	CV70399	 a.	8	BOLT	
3	CV70394	 a.	8	WASHER	
4	CV1343	 a.	8	NUT	

History					
a.					
1	OE36041		1	EXHAUST FLANGE	
2	CV70399		6	BOLT	
3	CV70394		6	WASHER	
4	CV1343		6	NUT	





Exhaust Outlet Gasket	Plate A
	U1BFH

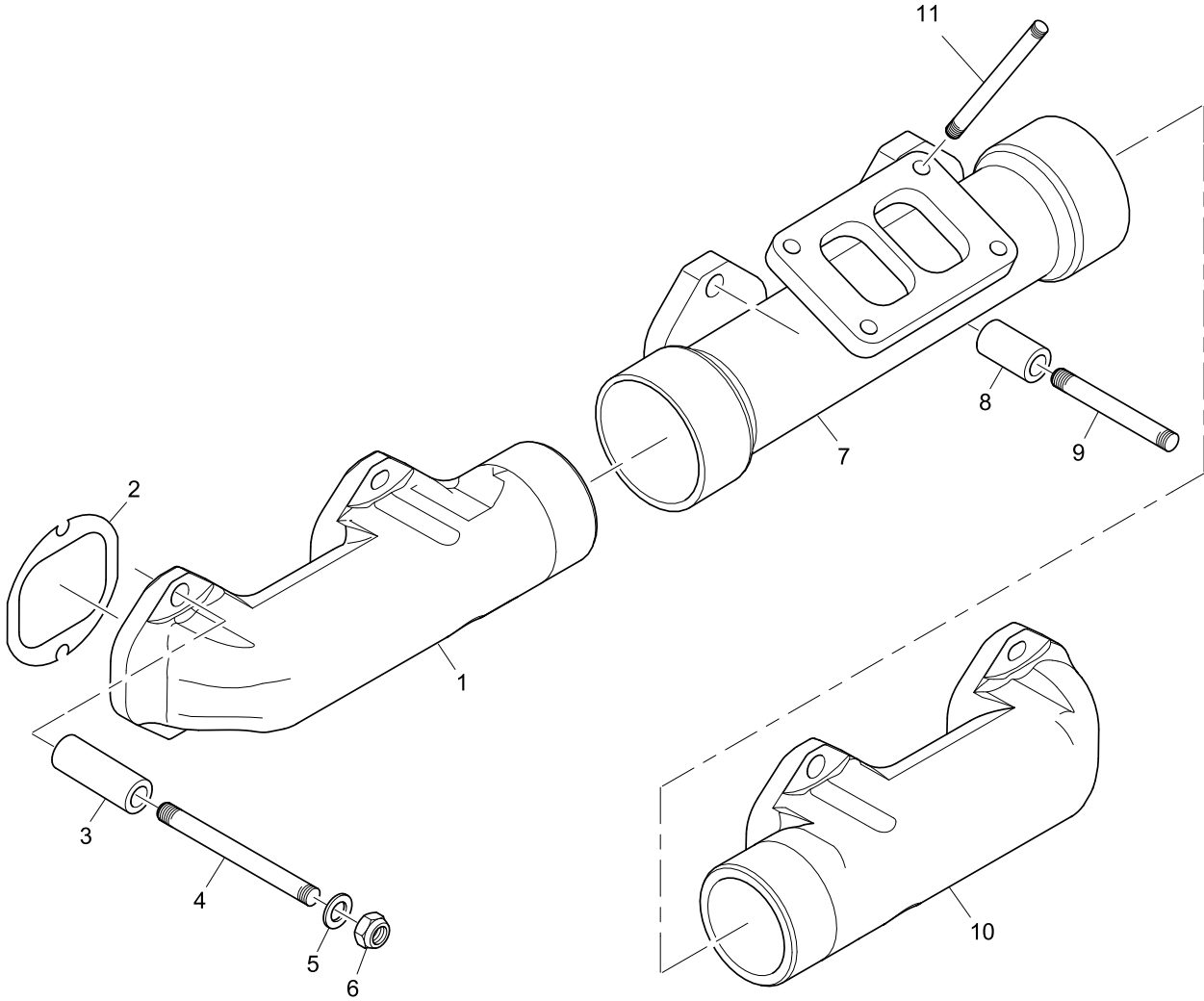
Item	Part No.	References	Qty.	Description	Notes
1	CH11606		1	GASKET - EXHAUST OUTLET	




Exhaust Outlet	Plate A
	U1CFH

Item	Part No.	References	Qty.	Description	Notes
1	T400221	 a. b.	1	EXHAUST ELBOW	
2	CH12794	 b.	1	CLAMP	

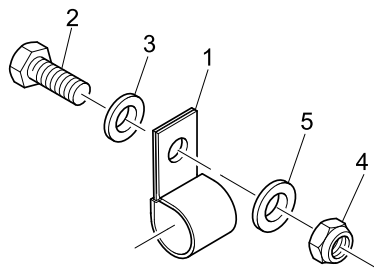
History					
a.					
1	CH12787		1	EXHAUST ELBOW	
b.					
1	CH11355		1	EXHAUST ELBOW	
2	CH11377		1	BAND	



Exhaust Manifold	Plate A
	UBHS1035

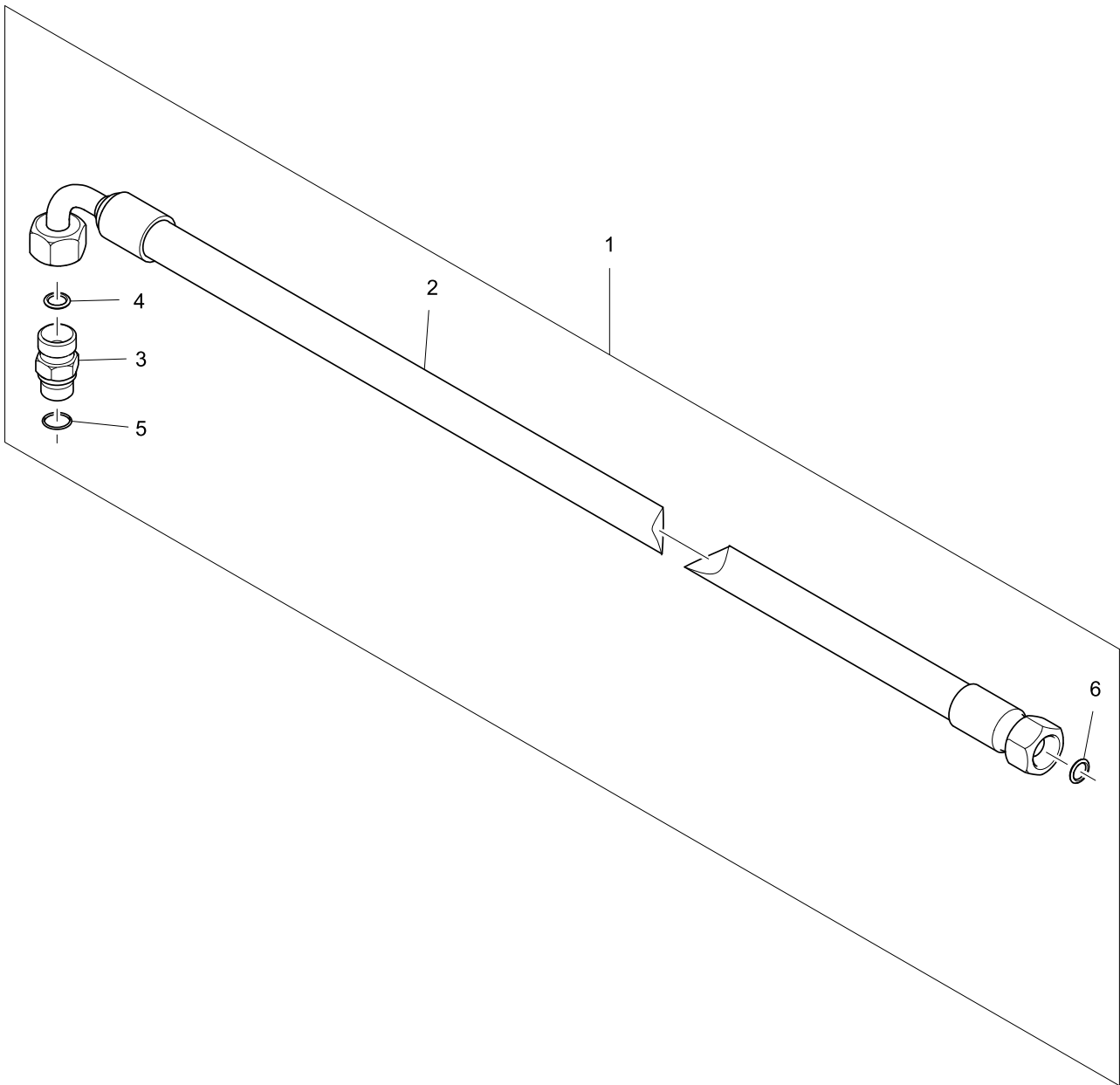
Item	Part No.	References	Qty.	Description	Notes
1	CH10774		1	EXHAUST MANIFOLD	
2	CH10777		6	GASKET - EXHAUST MANIFOLD	
3	CH10776		11	SPACER	
4	CH10775		11	STUD	
5	CH10541	✚	12	WASHER	
6	CH10734		12	NUT	
7	T400179	 a.	1	EXHAUST MANIFOLD	
8	CH10756		1	SPACER	
9	CH10772		1	STUD	
10	CH10774		1	EXHAUST MANIFOLD	
11	T400180		4	STUD	

History					
a.					
7	CH10901		1	EXHAUST MANIFOLD	



Low Pressure Fuel Pipe Clips	Plate A
	V1AFH

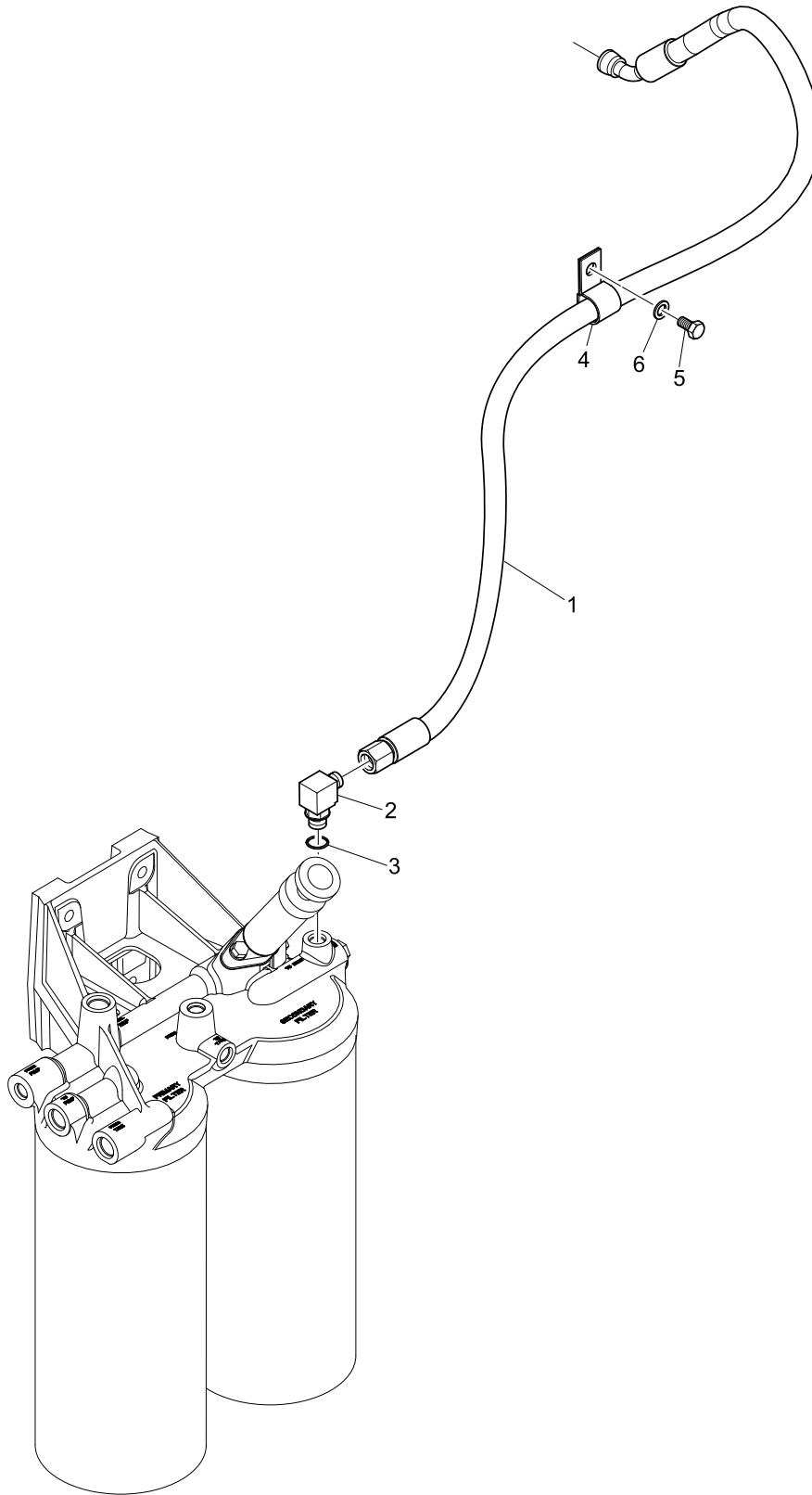
Item	Part No.	References	Qty.	Description	Notes
1	CH10943		1	PIPE CLIP	
2	0748523		1	SCREW	
3	ST15903		1	WASHER	
4	2318D010		1	NUT	
5	ST15903		1	WASHER	





Low Pressure Fuel Lines	Plate A
	V1BFH

Item	Part No.	References	Qty.	Description	Notes
1	CH11760		1	HOSE - FUEL	(1)
2		⇒ CH11760	1	HOSE - FUEL	
3		⇒ CH11760	1	ADAPTOR	
4	T401445		1	SEAL - O RING	
5	CH11880		1	SEAL - O RING	
6	T401445		1	SEAL - O RING	

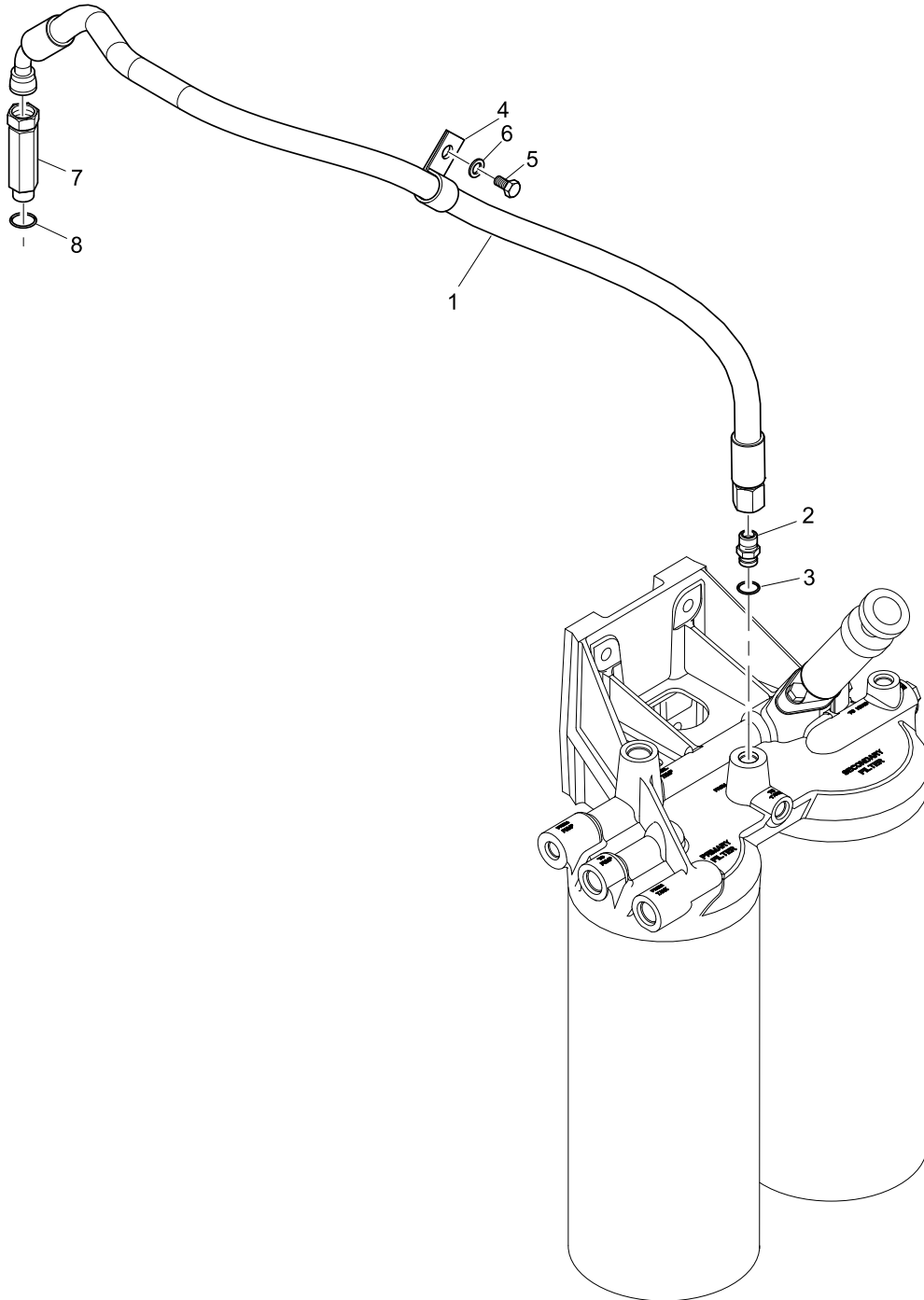
Footnotes	
(1)	SUPPLIED LOOSE






Low Pressure Fuel Lines	Plate A
	VBHS1095

Item	Part No.	References	Qty.	Description	Notes
1	CH10999		1	PIPE - HIGH PRESSURE FUEL	
2	CH10841		2	CONNECTION	
3	CH10840		2	SEAL - O RING	
4	CH10943		1	PIPE CLIP	
5	CH11897	 a.	1	BOLT	
6	CH10255	 a.	1	WASHER	

History					
a.					
5	CH10794		1	BOLT	
6	CH10541		1	WASHER	



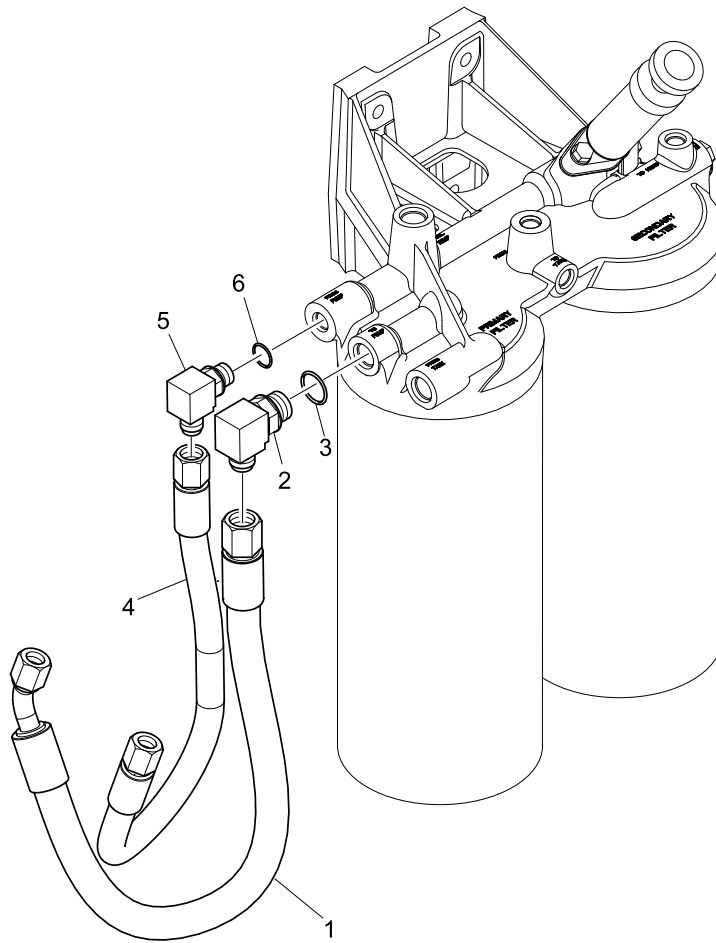
Item	Part No.	References	Qty.	Description	Notes
1	CH11328	 a.	1	PIPE - LOW PRESSURE FUEL	
2	CH10026		1	CONNECTION	
3	CH10840		1	SEAL - O RING	
4	CH10943		1	PIPE CLIP	
5	CH11897	 b.	1	BOLT	
6	CH10255	 b.	1	WASHER	
7	CH11066		1	CONNECTOR	
8	CH10840		1	SEAL - O RING	

History**a.**





1	CH11000		1	PIPE - FUEL
---	---------	--	---	-------------

b.

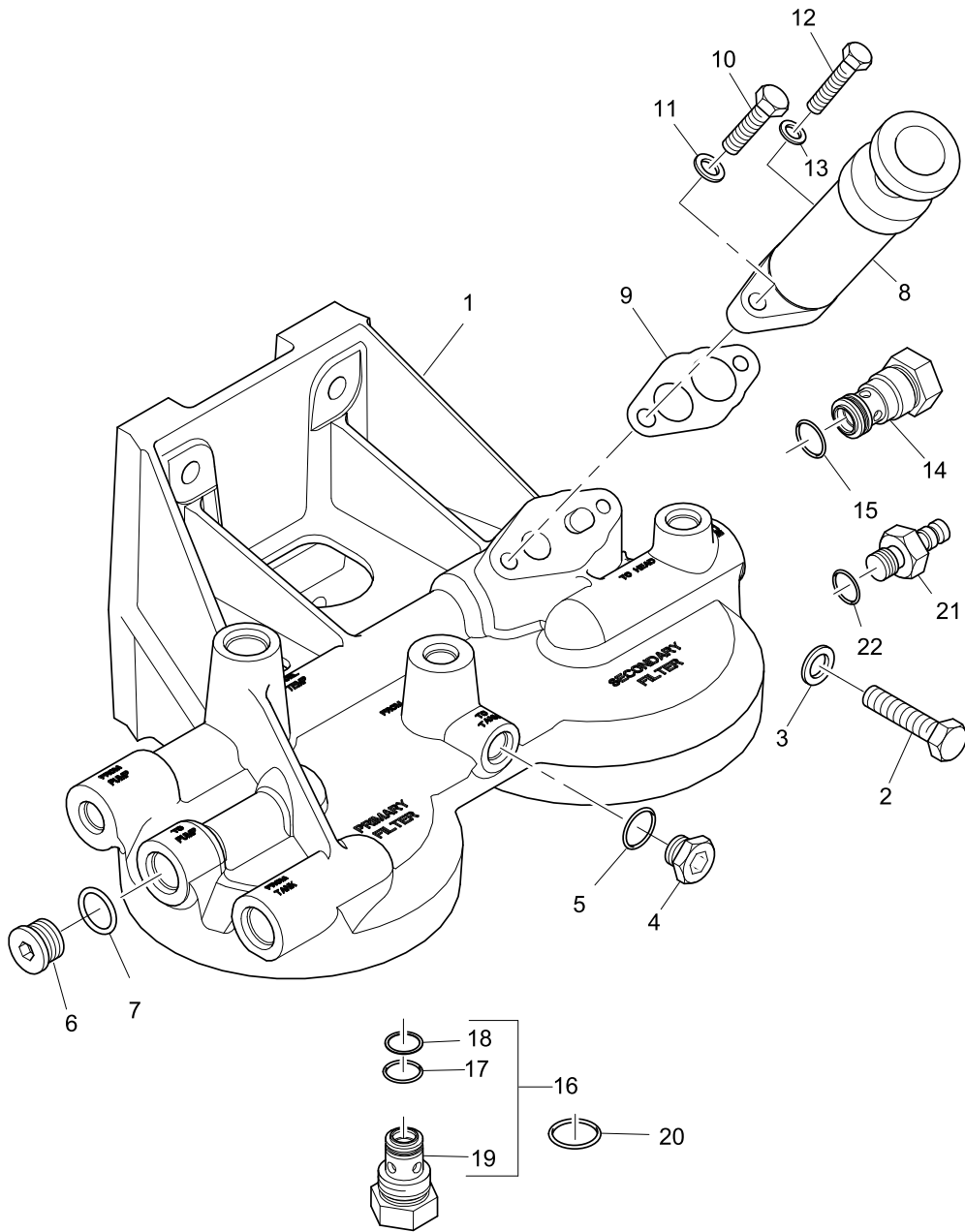
5	CH10794		1	BOLT
6	CH10541		1	WASHER











Low Pressure Fuel Lines	Plate C
	VBHS1095

Item	Part No.	References	Qty.	Description	Notes
1	CH11002		1	PIPE - FUEL	
2	CH10893	 a.	2	CONNECTION	
3	CH10230	 a.	2	SEAL - O RING	
4	CH11001		1	PIPE - FUEL	
5	CH10841	 a.	2	CONNECTION	
6	CH10840	 a.	2	SEAL - O RING	

History					
a.					
2	CH10893		1	CONNECTION	
3	CH10230		1	SEAL - O RING	
5	CH10841		1	CONNECTION	
6	CH10840		1	SEAL - O RING	



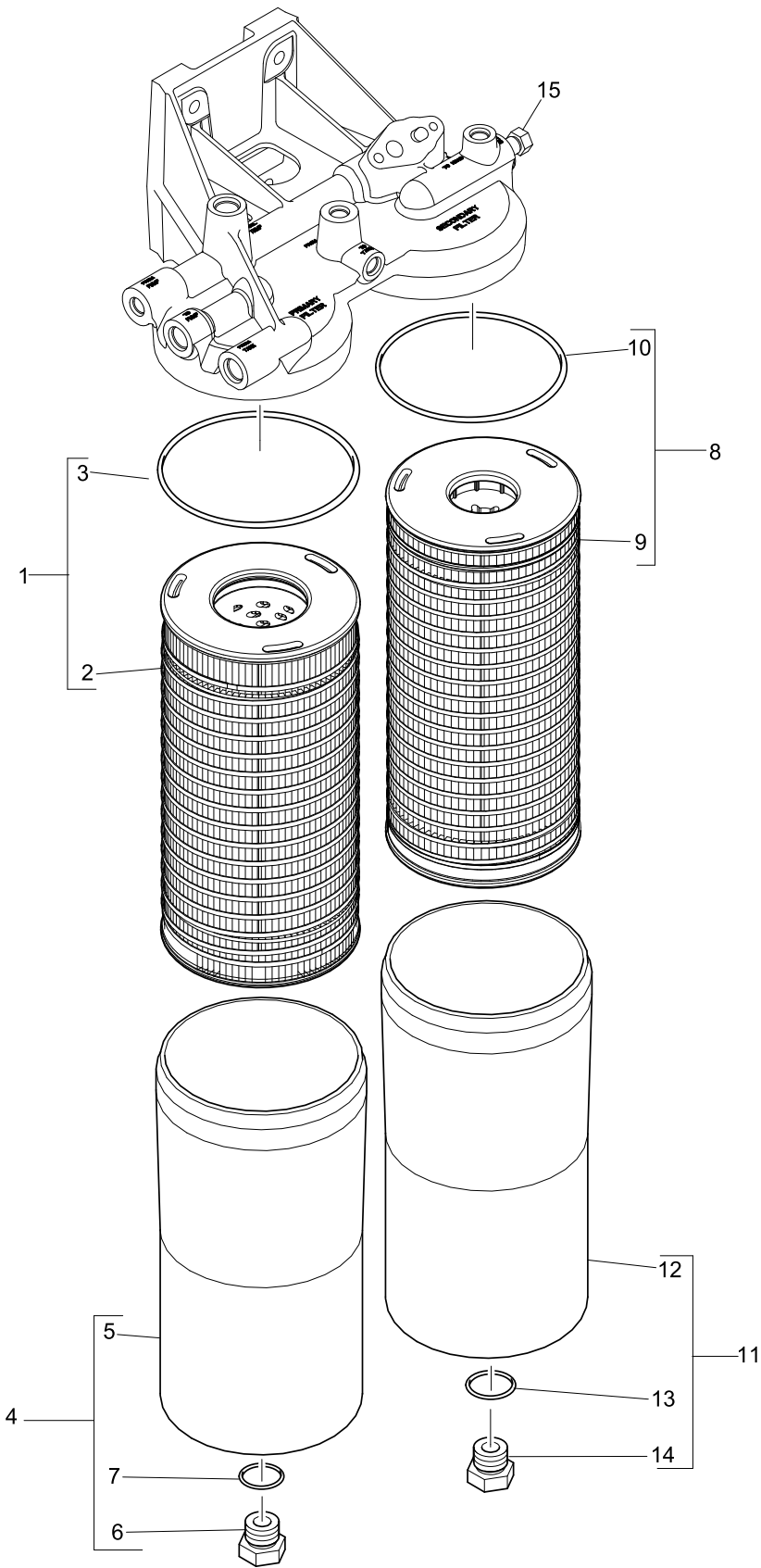
Item	Part No.	References	Qty.	Description	Notes
1	CH12434	 c.	1	FUEL FILTER HEAD	
2	CH10609		1	BOLT	
3	CH10255	 d.	1	WASHER	
4	CH10286		1	PLUG	
5	CH11880	 a.	1	SEAL - O RING	
6	CH10287		1	PLUG	
7	T406205	 a.	1	SEAL - O RING	
8	CH10439		1	PRIMING PUMP	
9	CH10008		1	GASKET	
10	CH10557		1	BOLT	
11	CH10277		1	WASHER	
12	CH10848		1	BOLT	
13	CH10086		1	WASHER	
14	CH10836		1	VALVE	
15	T400188		1	SEAL - O RING	
16	CH12017	 d.	1	NON RETURN VALVE	
17	CH10839		1	SEAL - O RING	
18	CH10838		1	SEALING RING	
19		 CH12017	1	VALVE	
20	CH10131		1	SEAL - O RING	
21	CH11410		1	PLUG	
22	CH11880		1	SEAL - O RING	
23	CH11411		1	DUST SHIELD	(1)

History


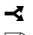




a.					
	CH10837		1	SEAL - O RING	
5	CH10046		1	SEAL - O RING	
7	CH10048		1	SEAL - O RING	
b.					
	CH10131		1	SEAL - O RING	
c.					
1	CH11075		1	FUEL FILTER HEAD	
d.					
	CH10838		1	SEALING RING	
	CH10131		1	SEAL - O RING	
3	CH10541		1	WASHER	
16	CH10457		1	VALVE	

Footnotes

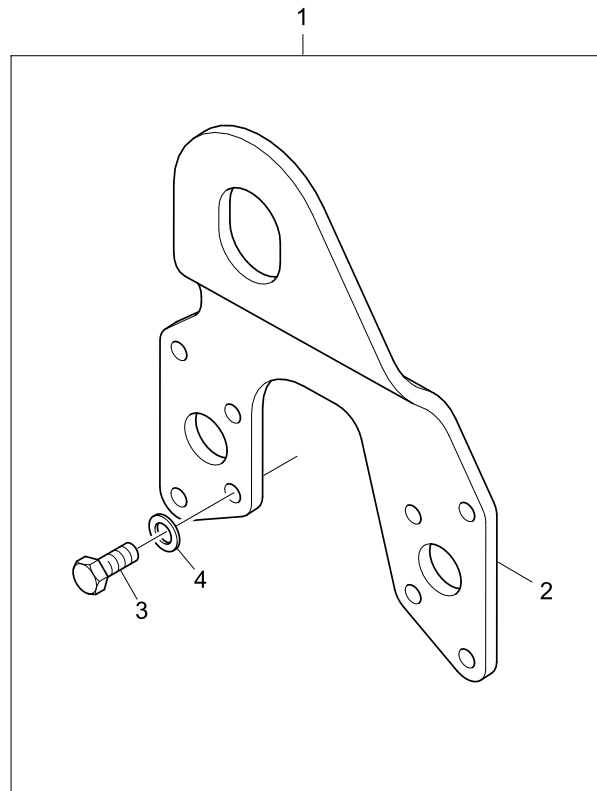
(1) NOT ILLUSTRATED



Fuel Filter	Plate A
	VBHS1096

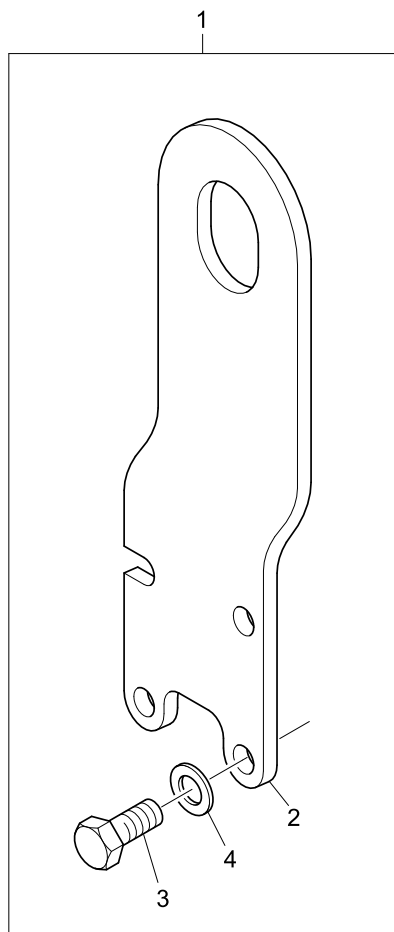
Item	Part No.	References	Qty.	Description	Notes
1	CH10930		1	FUEL FILTER	
2		⇒ CH10930	1	FUEL FILTER	
3	CH12010		1	SEAL	
4	CH11265	 a.	1	HOUSING	
5		 ⇒ CH11265	1	HOUSING	
6	CH10284	 a.	1	PLUG	
7	CH10046	 a.	1	SEAL - O RING	
8	CH10931		1	FUEL FILTER	
9		⇒ CH10931	1	FUEL FILTER	
10	CH12010		1	SEAL	
11	CH11266	 a.	1	FUEL FILTER HOUSING	
12		 a. ⇒ CH11266	1	FUEL FILTER HOUSING	
13	CH10046		1	SEAL - O RING	
14	CH10284		1	PLUG	

History					
a.					
4	CH11094		1	HOUSING	
6	CH10046		1	SEAL - O RING	
7	CH10284		1	PLUG	
11	CH11096		1	FUEL FILTER HOUSING	
12		⇒	1	HOUSING	



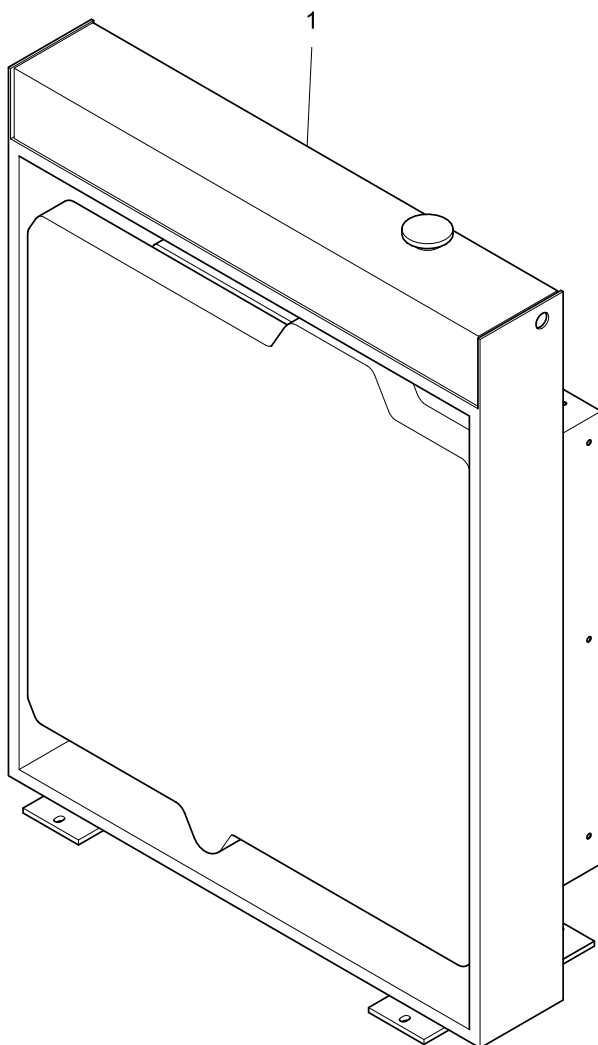
Engine Lifting Eyes	Plate A
	XBHS1032

Item	Part No.	References	Qty.	Description	Notes
1	KRP1525		1	LIFTING EYE KIT	
2		⇒ KRP1525	1	LIFTING EYE	
3	CH10537	↔	8	BOLT	
4	CH10541	↔	8	WASHER	



Engine Lifting Eyes	Plate A
	XBHS1033

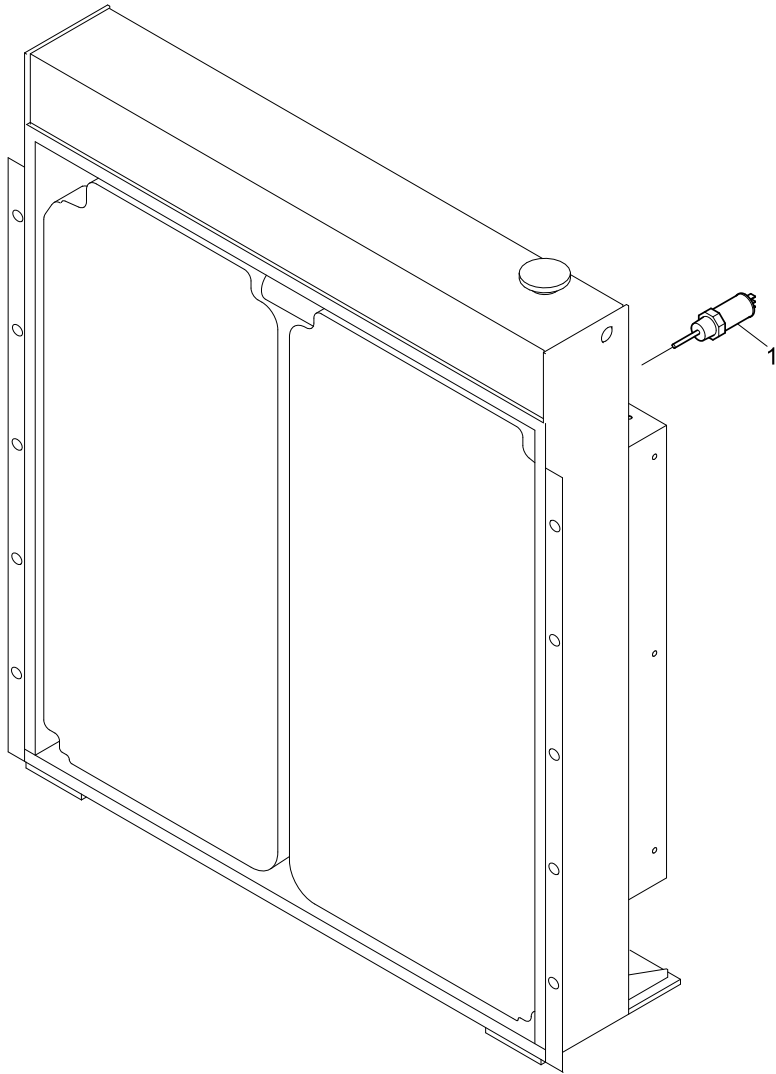
Item	Part No.	References	Qty.	Description	Notes
1	KRP1526		1	LIFTING EYE KIT	
2		⇒ KRP1526	1	LIFTING EYE	
3	CH10570		4	BOLT	
4	CH10099		4	WASHER	



Radiator & Hoses	Plate A
	5010411

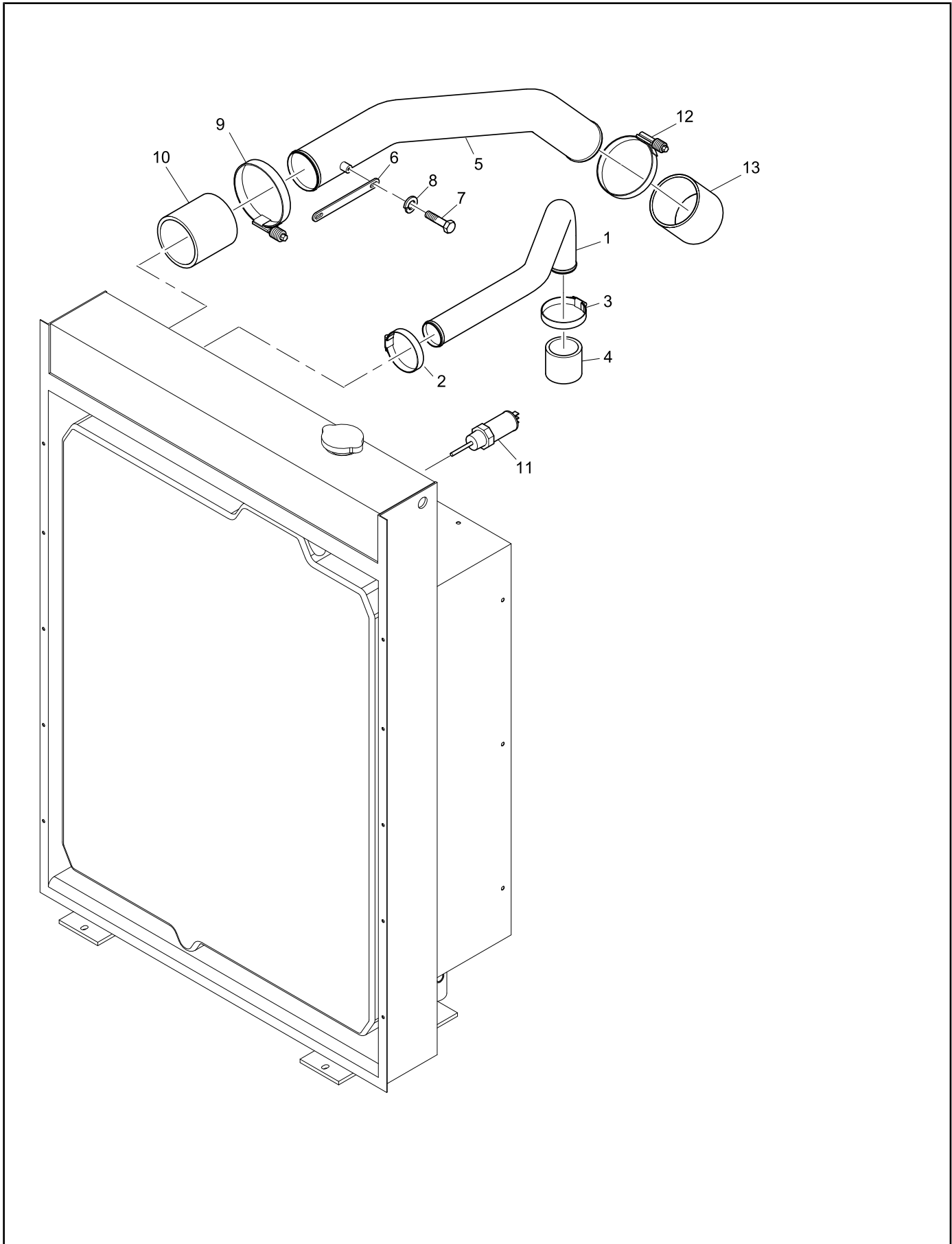
Item	Part No.	References	Qty.	Description	Notes
1	CH11964		1	RADIATOR	(1)
2	CV60963		1	COVER	(2)
3	CV60964		1	COVER	(2)
4	CH12817		1	CHARGE COOLER	(2)
5	CH12821		1	HEADER TANK	(2)
6	CH12825	4	1	RADIATOR CAP	(2)
7	CH12826		1	OIL COOLER	(2)
8	CH12827		1	DRAIN PLUG	(2)
9	CH12828		1	HOSE - COOLANT	(2)
10	CH12830		1	HOSE CLIP	(2)







Footnotes	
(1)	SUPPLIED LOOSE
(2)	NOT ILLUSTRATED



Radiator Coolant Level Switch	Plate A
	Z1CFH

Item	Part No.	References	Qty.	Description	Notes
1	CV25001	↔	1	SWITCH	



Item	Part No.	References	Qty.	Description	Notes
1	CH11051		1	PIPE - COOLANT	
2	ST46410	 b.	2	CLIP	
3	ST46410	 b.	3	CLIP	
4	ST91230		1	HOSE	
5	CH11049		1	DUCT	
6	CH10979		1	BRACKET	
7	CV70401	 b.	2	SCREW	
8	CV70395	 b.	2	SPRING WASHER	
9	CH11110		2	CLAMP	
10	CH11128		1	HOSE	
11	CH12541	 a.	1	COOLANT LEVEL SWITCH	
12	CH11110	 b.	2	CLAMP	
13	CH11128		1	HOSE	

History**a.**

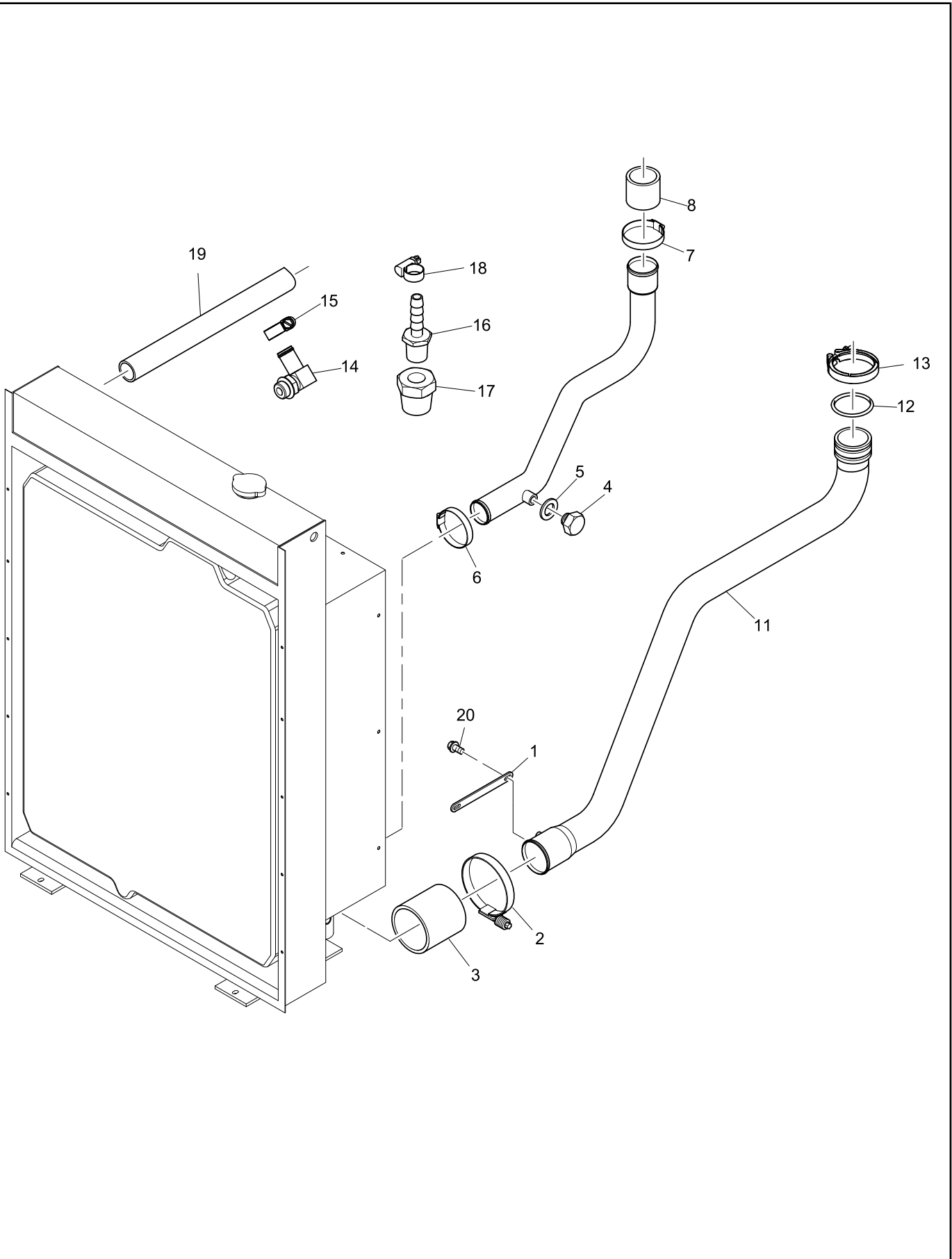
11	CV69938		1	SWITCH
----	---------	--	---	--------







b.

2	ST46410		1	CLIP
3	ST46410		2	CLIP
7	CV70401		1	SCREW
8	CV70395		1	SPRING WASHER
12	CH11110		1	CLAMP

c.

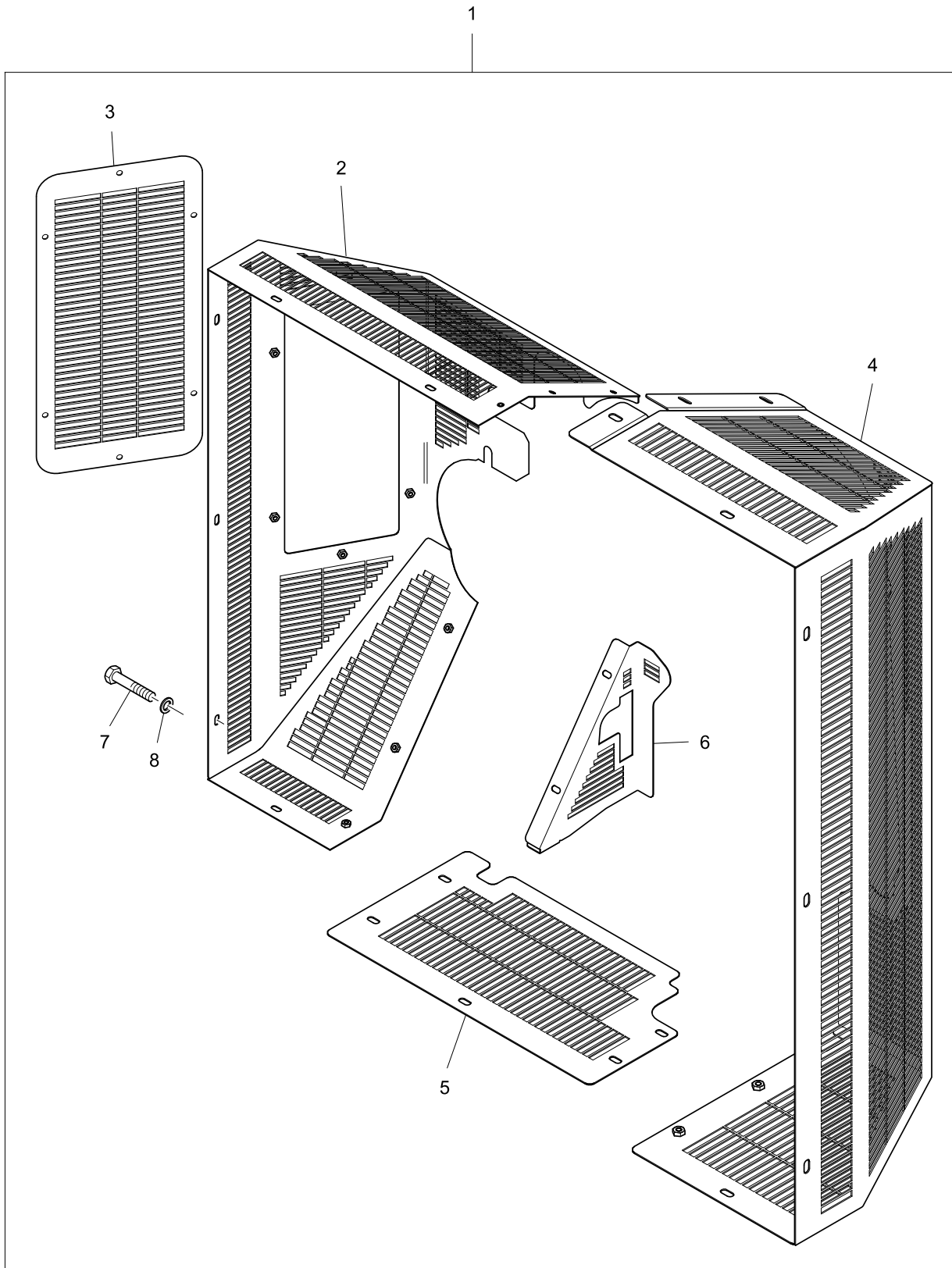
	CV70392		1	WASHER
--	---------	--	---	--------



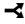



Item	Part No.	References	Qty.	Description	Notes
1	CH10979	 c.	1	BRACKET	
2	CH11110	 c.	2	CLAMP	
3	CH11128	 c.	1	HOSE	
4	CV12198		1	DRAIN PLUG	
5	ST49891		1	WASHER	
6	ST46410	 c.	1	CLIP	
7	ST46411		2	CLIP	
8	ST91237		1	HOSE	
11	CH11966		1	PIPE - AIR	
12	CH11498		1	SEAL - O RING	
13	T401063	 a.	1	CLAMP	
14	CH12025		1	ADAPTOR	
15	525/46M		2	HOSE CLIP	
16	CH12079		1	ADAPTOR	
17	CH12080		1	ADAPTOR	
18	CH12081		1	HOSE CLIP	
19	CH12015		1	HOSE - COOLANT	
20	2314H002		5	SCREW	

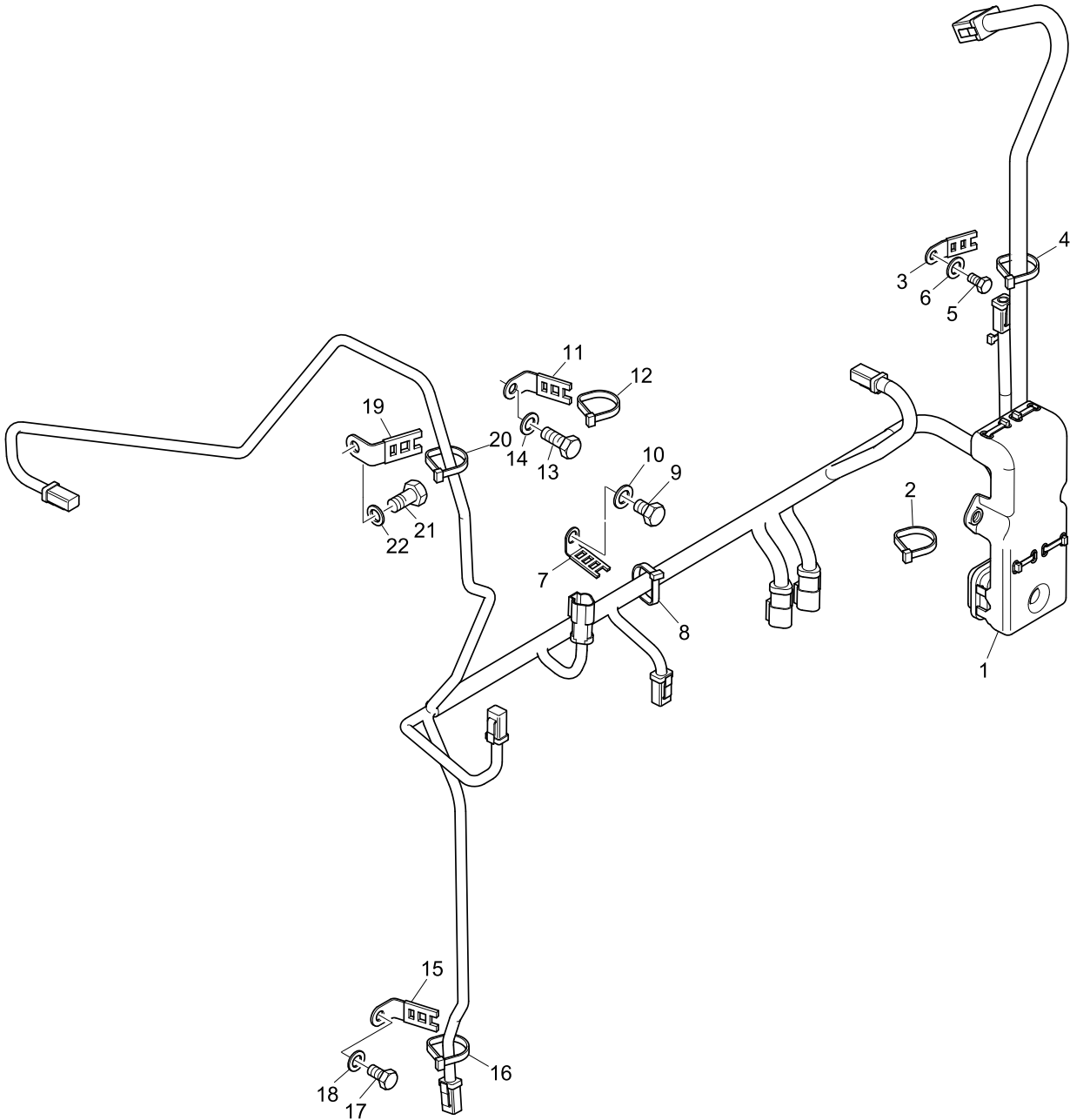
History

a.					
13	CH11497		1	CLAMP	
b.					
	CV70395		2	SPRING WASHER	
	CV70401		2	SCREW	
c.					
	CV70395		4	SPRING WASHER	
	CV70392		1	WASHER	
	CV70401		4	SCREW	
1	CH10979		2	BRACKET	
2	CH11110		6	CLAMP	
3	CH11128		3	HOSE	
6	ST46410		4	CLIP	
d.					
	CV70395		1	SPRING WASHER	
	ST91230		1	HOSE	
	CV70401		1	SCREW	

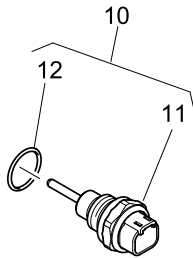
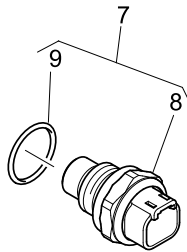
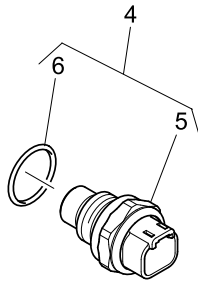
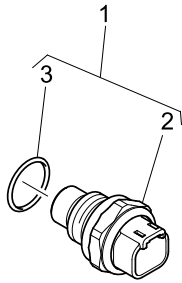



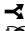

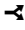
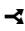
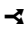
Item	Part No.	References	Qty.	Description	Notes
1	CH12646	 b.	1	GUARD KIT	
2	CH12916	 a. → U16837W	1	FAN GUARD	
3	CH12399		1	PLATE	
4	CH12402		1	FAN GUARD	
5	CH12538		1	FAN GUARD	
6	CH12539		1	FAN GUARD	
7	312050		27	SCREW	
8	318011		27	WASHER	

History					
a.					
2	CH12401	→ U16836W	1	FAN GUARD	
b.					
	318011		13	WASHER	
	312039		4	SCREW	
	318009		4	WASHER	
	312050		12	SCREW	
1	CH12016		1	RADIATOR GUARD	



Item	Part No.	References	Qty.	Description	Notes
1	CH11985		1	WIRING HARNESS	
2	CH11981		1	CABLE TIE	
3	CH10071	↖	2	CLIP	
4	CH10054		2	CABLE TIE	
5	CH10794	↖	2	BOLT	
6	CH10541	↖	2	WASHER	
7	CH10799		2	CLIP	
8	CH10054		2	CABLE TIE	
9	CH10797		2	BOLT	
10	CH10100		2	WASHER	
11	CH10072		1	CLIP	
12	CH10054		1	CABLE TIE	
13	CH10537	↖	1	BOLT	
14	CH10541	↖	1	WASHER	
15	CH10072		2	CLIP	
16	CH10054		2	CABLE TIE	
17	CH10794	↖	2	BOLT	
18	CH10541	↖	2	WASHER	
19	CH10072		1	CLIP	
20	CH10054		1	CABLE TIE	
21	CH10796		1	BOLT	
22	CH10277		1	WASHER	



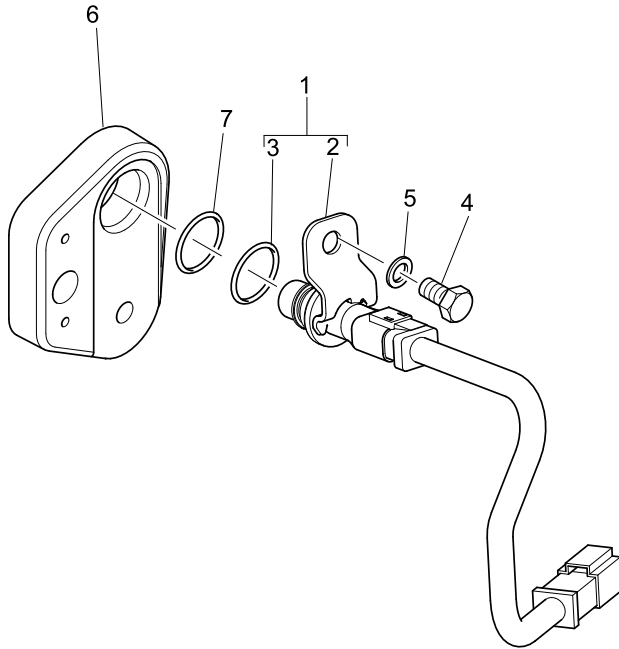
Item	Part No.	References	Qty.	Description	Notes
1	CH12006	 a.	1	OIL PRESSURE SENSOR KIT	
2		 a.  CH12006	1	OIL PRESSURE SENSOR KIT	
3	CH10132		1	SEAL - O RING	
4	KRP1692		1	AIR PRESSURE SENSOR KIT	
5		 KRP1692	1	SENSOR	
6	CH10132		1	SEAL - O RING	
7	KRP1693		1	AIR PRESSURE SENSOR KIT	
8		 KRP1693	1	TEMPERATURE SENSOR	
9	CH10133		1	SEAL - O RING	
10	KRP1688		1	TEMPERATURE SENSOR	
11		 KRP1688	1	TEMPERATURE SENSOR	
12	CH10146		1	SEAL - O RING	

History

a.

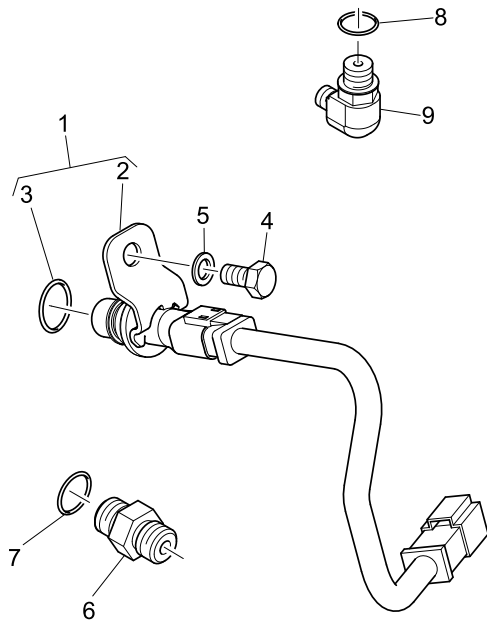
1			1	OIL PRESSURE SENSOR KIT
2			1	OIL PRESSURE SENSOR KIT

Footnotes



Speed Switch	Plate B
	ZNHD0200

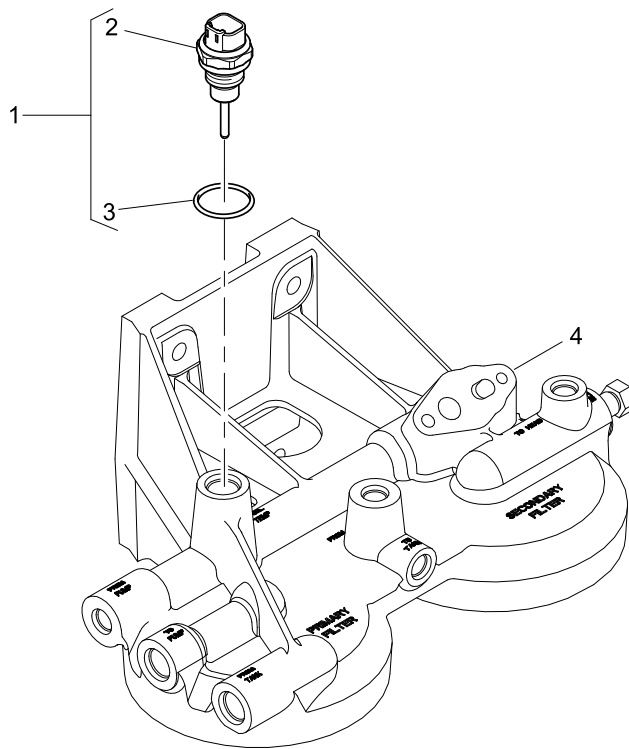
Item	Part No.	References	Qty.	Description	Notes
1	CH12003	↔	1	SPEED SENSOR	
2		↔ ⇒ CH12003	1	SENSOR	
3	CH12356	↔	1	SEAL - O RING	
4	CH10796		1	BOLT	
5	CH10277		1	WASHER	
6	CH10867		1	SPACER	
7	CH10870		1	SEAL - O RING	






Speed Sensor	Plate C
	ZNHD0200

Item	Part No.	References	Qty.	Description	Notes
1	CH12004	↔	1	SPEED SENSOR	
2		↔ ⇒ CH12004	1	SENSOR	
3	CH12356	↔	1	SEAL - O RING	
4	CH10796		1	BOLT	
5	CH10277		1	WASHER	
6	CH10873		1	CONNECTOR	
7	CH10132		1	SEAL - O RING	
8	CH10133		1	SEAL - O RING	
9	CH12001		1	ELBOW	

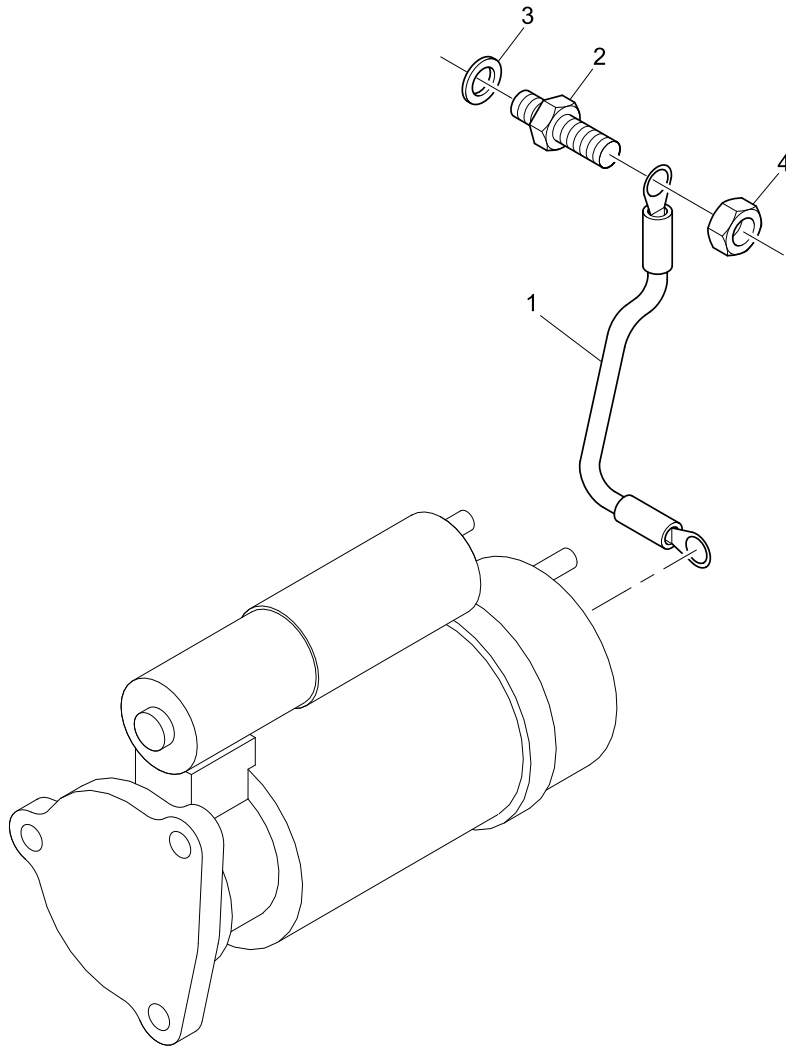
History					
a.	CH10870		1	SEAL - O RING	
b.	CH10867		1	SPACER	



Temperature Sensor	Plate D
	ZNHD0200

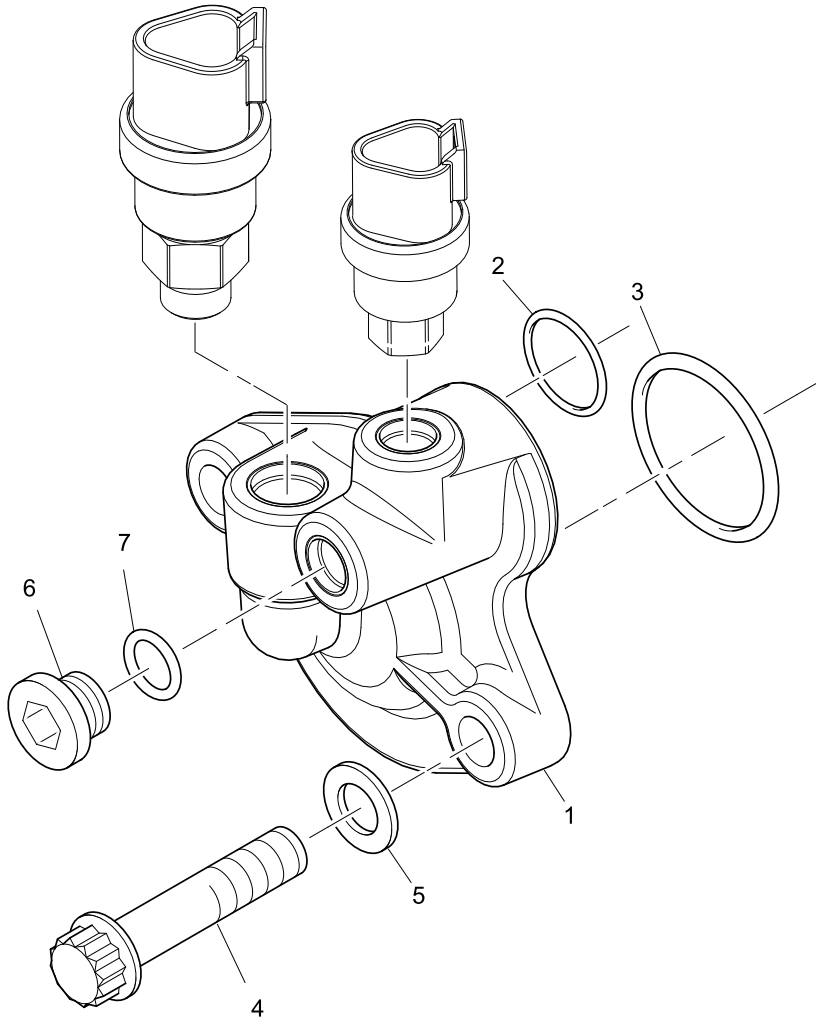
Item	Part No.	References	Qty.	Description	Notes
1	KRP1687	 a.	2	TEMPERATURE SENSOR	
2		  KRP1687	1	TEMPERATURE SENSOR	
3	CH10230		1	SEAL - O RING	

History					
a.					
1	KRP1687		1	TEMPERATURE SENSOR	







Earth Strap	Plate A
	ZNHS1038

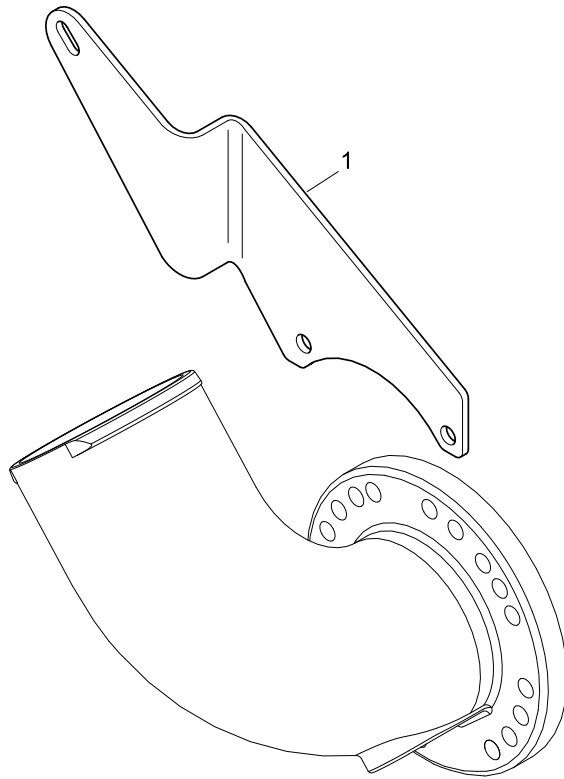
Item	Part No.	References	Qty.	Description	Notes
1	CH11093		1	EARTH STRAP	
2	CH10707		1	BOLT	
3	CH10255		1	WASHER	
4	CH10798		1	NUT	



Sensor Mounting	Plate A
	ZNHS1047

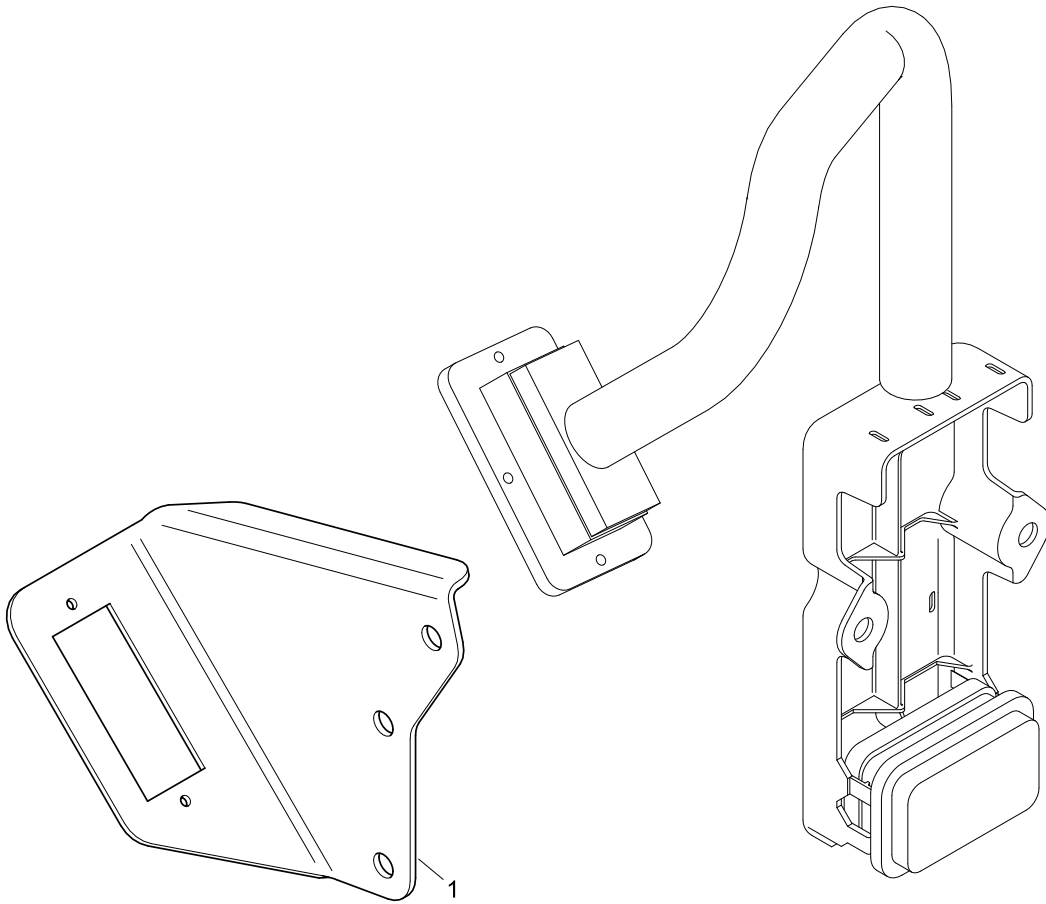
Item	Part No.	References	Qty.	Description	Notes
1	CH10907		1	ADAPTOR	
2	CH10875		1	SEAL - O RING	
3	CH10228		1	SEAL - O RING	
4	T400184	 a.	2	BOLT	
5	CH10541		2	WASHER	
6	CH10285	 a.	1	PLUG	
7	T409314	 a.	1	SEAL - O RING	

History					
a.					
4	CH10567		2	BOLT	
6	CH10282		1	PLUG	
7	CH10132		1	SEAL - O RING	



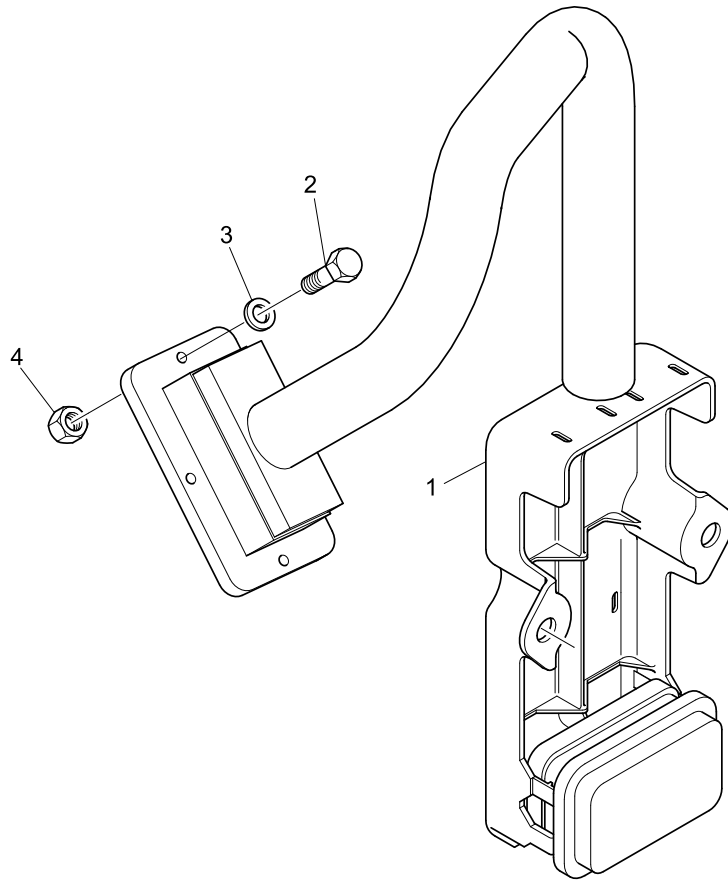
Inlet Elbow Bracket	Plate A
	Z1EFH

Item	Part No.	References	Qty.	Description	Notes
1	CH11057		1	BRACKET	




Wiring Harness Bracket	Plate A
	Z1GFH

Item	Part No.	References	Qty.	Description	Notes
1	CH11107		1	PLATE	

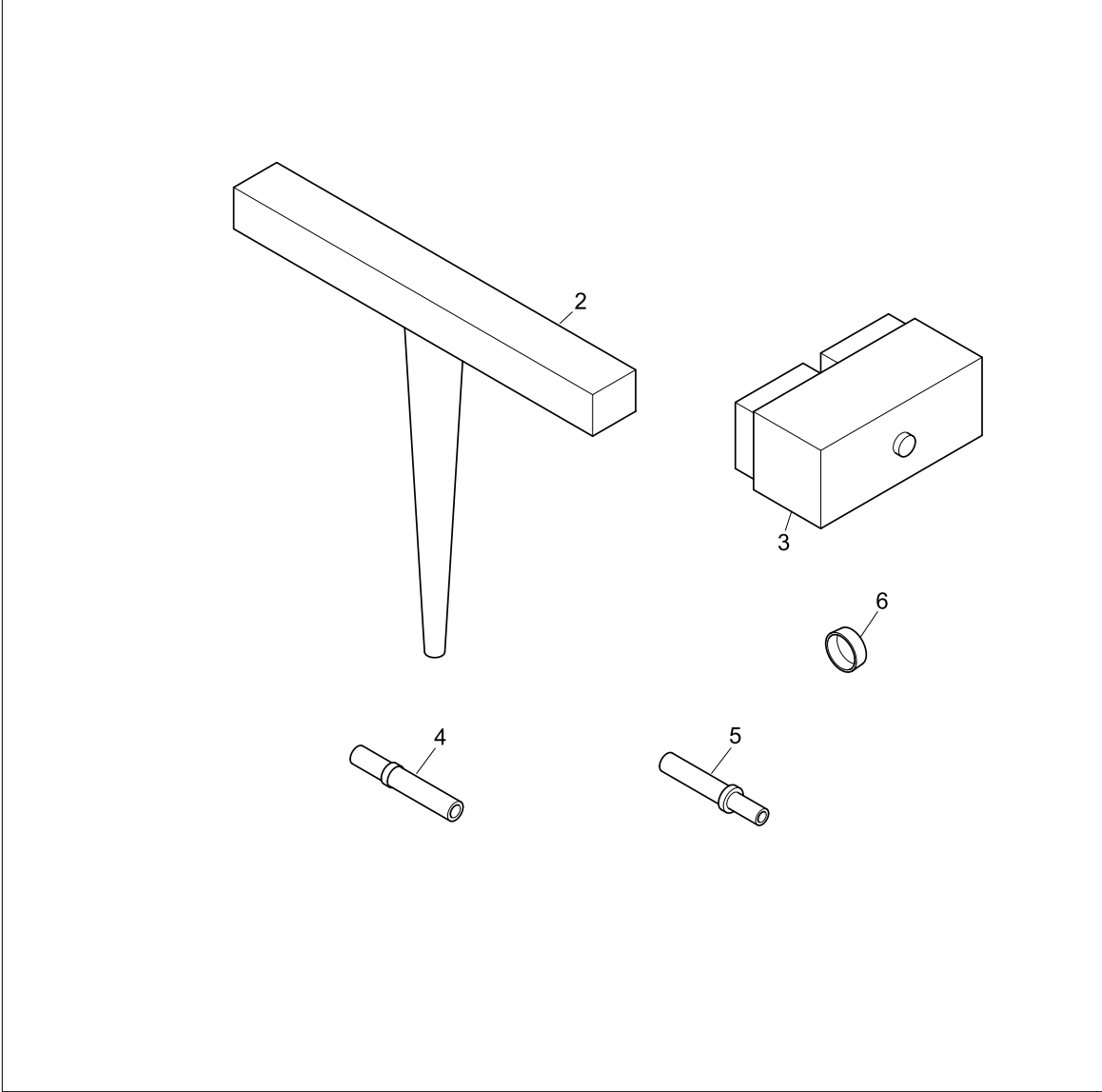


Wiring Harness	Plate A
	Z1HFH

Item	Part No.	References	Qty.	Description	Notes
1	CH12042	 b.	1	WIRING HARNESS	
2	CV70599		2	BOLT	
3	CV70605		4	WASHER	
4	CV70600		2	NUT	

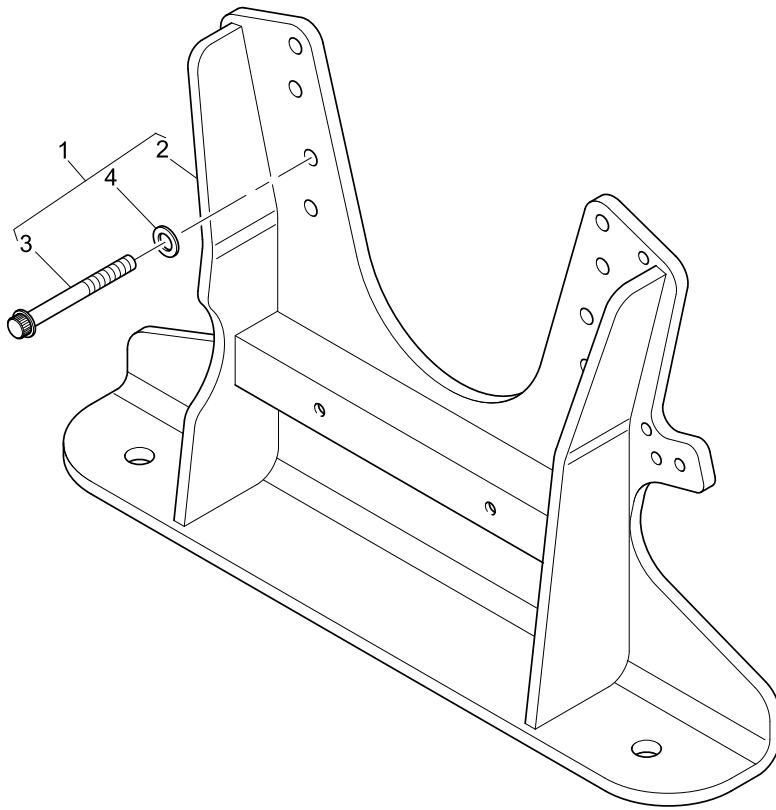
History					
a.					
	CH10615		2	WASHER	
	CH10798		2	NUT	
b.					
1	CH11124		1	WIRING HARNESS	

1



Interface Connector	Plate A
	Z1MFH

Item	Part No.	References	Qty.	Description	Notes
1	CH11173		1	CONNECTION KIT	
2	CH11169		1	TOOL	
3	CH11154		1	CONNECTOR	
4	CH11170	↔	40	SOCKET	
5	CH11171	↔	10	SOCKET	
6	CH11918	↔	40	PLUG	



Engine Mounts	Plate A
	ZCHS1057

Item	Part No.	References	Qty.	Description	Notes
1	KRP1670		1	BRACKET	
2		⇒ KRP1670	1	BRACKET	
3	T400183	ⓐ a.	8	BOLT	
4	CH10099		8	WASHER	

History					
a.					
3	CH11581		8	BOLT	

ADAPTOR			
CH10594	47	
CH10627	63	
CH10888	137	
CH10907	235	
CH11456	113	
CH11647	143	
CH12025	219	
CH12079	219	
CH12080	219	
CH12390	109	
AIR DUCT			
CH11040	181	
CH11082	181	
CH12785	183	
CH12797	183	
AIR FILTER ASSEMBLY			
CH11038	175	
AIR PRESSURE SENSOR KIT			
KRP1692	225	
KRP1693	225	
ALTERNATOR			
CH11087	155	
CH12876	159	
ALTERNATOR BRACKET			
CH11034	151	
CH12835	153	
ALTERNATOR PULLEY			
CH11036	155	
CH12877	159	
BALL			
CH12374	109	
BALL BEARING			
CH10004	47	
CH11444	97, 99, 101	
CH12375	109	
CH12382	109	
BAND			
CH10673	15, 24, 31	
CH11221	177	
CH11377	191	
BELT			
CH11202	163	
CH11950	103	
BIG END BEARING KIT			
KRP3016	19, 71	
BOLT			
0096439	161	
2234215	173	
2315A381	177	
CH10000	95	
CH10237	91	
CH10537	35, 79, 87, 115, 133, 135, 171, 209, 223	
CH10538	87, 167	
CH10550	47, 115	
CH10557	147, 149, 205	
CH10566	49	
CH10567	47, 121, 137, 141, 185, 235	
CH10570	211	
CH10582	83	
CH10583	47	
CH10585	109, 117	
CH10586	87, 117	
CH10600	73	
CH10609	61, 63, 65, 67, 165, 167, 205	
CH10611	61	
CH10616	63	
CH10618	63	
CH10621	61, 65, 67	
CH10639	63	
CH10679	31	
CH10707	233	
CH10712	57	
CH10713	57	
CH10733	18, 169	
CH10735	119	
CH10748	119	
CH10751	133, 135, 141	
CH10753	135	
CH10783	87	
CH10791	79, 85	
CH10794	123, 199, 201, 223	
CH10796	223, 227, 229	
CH10797	223	
CH10809	143	
CH10813	99, 101	
CH10814	141	
CH10815	35, 79, 133, 141, 165	
CH10848	205	
CH10880	89	
CH11071	171	
CH11581	245	
CH11645	115	
CH11649	143	
CH11652	143	
CH11895	35, 79, 115, 145, 171	
CH11897	129, 199, 201	
CH11931	81	
CH12326	15	
CH12377	109	
CH12631	17, 25	
CV19793	101	
CV70399	187	
CV70599	241	
ST43563	107	
ST44456	105	
T400183	245	
T400184	235	
T400209	31	
UF1676	157	
BRACKET			

Parts Index

CH10576	81	ST46410	217, 219
CH10577	81	ST46411	219
CH10832	79	CON ROD ASSEMBLY	
CH10855	115	CH11507	17, 71
CH10979	217, 219	CON ROD BOLT	
CH11057	237	CH11684	71
CH11059	133	CONNECTION	
CH11105	173	CH10026	201
CH11932	81	CH10841	199, 203
KRP1670	245	CH10893	203
BRIDGE		CONNECTION KIT	
CH10680	49	CH11173	243
BRIDGE PIECE		CONNECTOR	
CH12831	49	CH10806	165
BUSH		CH10873	229
CH10746	119	CH11066	201
CH12834	97, 99	CH11154	243
BUTTON		CH11980	165
CH10689	49	COOLANT LEVEL SWITCH	
CH11078	49	CH12541	217
CABLE TIE		COVER	
CH10054	223	CH10064	95
CH11981	223	CH10539	87
CAMSHAFT		CH10580	35
CH11988	43	CH10588	43
CAMSHAFT BUSH		CH10861	119
CH11228	55	CH11287	175
CAMSHAFT GEAR		CH11618	135
CH10910	63	CV60963	213
T400235	63	CV60964	213
CAP		CRANKCASE	
CH11032	107	CH12546	31
CV10891	175	T400208	31
CHARGE COOLER		T400909	31
CH12817	213	CRANKSHAFT ASSEMBLY	
CIRCLIP		CH11986	41
2721351	99, 101	CH12792	41
2722A022	99, 101	CRANKSHAFT GEAR	
CH11992	17, 26, 69	CH11687	41
ST49004	107	CH12793	41
T400229	97	CRANKSHAFT PULLEY	
T400230	97	CH11648	143
CLAMP		CYL HEAD COVER ASSY	
CH10790	85	CH11512	39
CH10915	165	CYLINDER HEAD ASSEMBLY	
CH11110	217, 219	CH11399	55
CH11497	219	CYLINDER HEAD BOLT	
CH12794	191	CH12569	17
T401063	219	CYLINDER HEAD KIT - EXCH	
CLIP		R/CH11399	15, 55
CH10071	223	CYLINDER LINER	
CH10072	223	CH11180	17, 25, 31
CH10799	223	DAMPER	
CH10850	129	CH11646	143
ST46408	127	CH11745	143

DIPSTICK ASSEMBLY			
CH10980	19, 123	CH11175	107
DOWEL		CH12387	109
CH10641	63	FAN GUARD	
CH10653	41	CH12401	221
CH10656	33	CH12402	221
CH10658	33	CH12538	221
CH10659	33	CH12539	221
CH10661	33	CH12916	221
CH10747	119	FANDRIVE	
DRAIN PLUG		CH11197	107
CH10939	87	CH12386	109
CH10991	113	FASTENER	
CH10992	113	CH10944	113
CH12827	213	CH10955	39
CV12198	219	CH11976	75
DRIVE SHAFT		FLYWHEEL ASSEMBLY	
CH10863	119	CH11058	89
CH11090	107	FLYWHEEL HOUSING	
DUCT		CH10933	87
CH11049	217	FRAME	
DUST SHIELD		CH10789	115
CH11411	205	FUEL FILTER	
EARTH STRAP		CH10930	207
CH11093	233	CH10931	207
ELBOW		FUEL FILTER HEAD	
CH11558	167	CH11075	205
CH11613	185	CH12434	205
CH12001	229	FUEL FILTER HOUSING	
ENGINE CONTROL MODULE		CH11096	207
R/CH11930	81	CH11266	207
R/CH12104	81	FUEL INJECTION PUMP GEAR	
R/CH12895	81	CH10592	47
ENGINE OVERHAUL KIT		GASKET	
KRP9125	15	CH10008	17, 25, 205
KRP9128	23	CH10310	15, 24, 95
EXCHANGE ALTERNATOR		CH10540	19, 23, 87
R/CH11087	155	CH10579	35, 133
EXHAUST ELBOW		CH10625	63
CH11355	191	CH10940	18, 26, 87
CH12787	191	CH11223	17, 25, 165
T400221	191	CH11398	17, 26, 33
EXHAUST FLANGE		CH11561	17, 25
CH11605	187	CH11979	15, 23, 167
OE36041	187	CH12157	18, 26
EXHAUST MANIFOLD		CH12205	17, 25
CH10774	193	GASKET - BLANKING PLATE	
CH10901	193	CH10561	35
T400179	193	GASKET - BREATHER	
EXHAUST VALVE		CH12457	15, 24
CH11022	55	GASKET - CYLINDER HEAD	
FAN		CH12454	20
CH12009	105	GASKET - EXHAUST MANIFOLD	
FAN DRIVE PULLEY		CH10777	15, 23, 193
		GASKET - EXHAUST OUTLET	
		CH11606	189

Parts Index

GASKET - IND MANIFOLD	
CH12127	17, 26
GASKET - SUMP	
CH12118	17, 25
GASKET - TIMING CASE	
CH10829	17, 25, 79
GASKET - TURBOCHARGER	
CH11471	17, 25, 169
GUARD KIT	
CH12646	221
GUDGEON PIN	
CH11503	69
HEADER TANK	
CH12821	213
HEATSHIELD	
CH10936	171
HOSE	
CH11128	217, 219
CH11383	179
CH11384	179
CH12198	17, 26
CH12347	19, 23
CH12662	16, 25
ST91130	181
ST91230	217, 219
ST91237	219
HOSE - COOLANT	
CH12015	219
CH12828	213
HOSE - FUEL	
CH11760	197
HOSE CLIP	
525/46M	219
525/62	179
CH12081	219
CH12830	213
ST46419	181
HOUSING	
CH11094	207
CH11224	135
CH11265	207
KRP1570	139
IDLER GEAR	
CH10632	67
CH10635	65
CH10963	61
CH11526	61
IMPELLER	
CH11547	147
CH11943	147, 149
INDICATOR	
CV5479	177
INJECTOR - EXCHANGE	
R/CH11945	17, 85

INTAKE VALVE	
CH11021	55
LIFT PUMP	
CH12228	19, 27
KRP1679	83
KRP1721	83
T400130	27
LIFTING EYE KIT	
KRP1525	209
KRP1526	211
MAIN AIR FILTER	
SEV551F/4	175
MAIN BEARING KIT	
KRP3118	41
KRP3122	19, 41
MAIN BEARING KIT - U/S	
KRP3116/025	19, 41
KRP3116/050	19, 41
KRP3117/025	19, 41
KRP3117/050	19, 41
MAIN SHELL BEARING	
CV11001	41
CV11002	41
CV11003	41
CV11004	41
NAMEPLATE	
CH11083	45
NON RETURN VALVE	
CH12017	205
NUT	
0576304	161
2238155	107
2318A210	99, 101
2318D010	177, 195
CH10290	65, 67
CH10564	77
CH10688	49
CH10734	18, 169, 193
CH10785	115
CH10798	47, 165, 233, 241
CH11077	49
CH11242	15
CH11459	113
CH11460	113
CH12697	49
CV1343	187
CV5324	101
CV70600	241
T400231	97
T400403	49
UF4357	157

OIL COOLER				PISTON KIT	
CH10903	131			KRP3017	69
CH12826	213			KRP3030	18, 27, 69
OIL FILLER				PISTON RING KIT	
CH11101	121			KRP3018	19, 69
OIL FILLER CAP				KRP3019	69
CH11103	121			PIVOT	
OIL FILTER				CH12510	49
CH10929	19, 23, 27, 139			CH12702	49
KRP1719	19, 23, 139			PLATE	
OIL FILTER HEAD				CH10559	147, 149
CH10818	137			CH10614	65, 67
CH11250	137			CH10617	63
OIL PRESSURE SENSOR KIT				CH10619	61
CH12006	225			CH11107	239
OIL PUMP				CH12399	221
CH10860	119			PLATE KIT	
OIL PUMP - EXCHANGE				KRP1532	35
R/CH10860	16, 25, 119			PLUG	
OIL PUMP GEAR				CH10032	55
CH10622	61			CH10220	109, 133
				CH10221	33
PIN				CH10258	55
CH10652	41			CH10259	133
CH11494	71			CH10260	133, 135
PIPE				CH10262	87, 137, 185
CH10752	135			CH10263	133
PIPE - AIR				CH10282	235
CH11966	219			CH10284	19, 27, 137, 139, 207
PIPE - BREATHER				CH10285	29, 235
CH10962	127			CH10286	37, 55, 57, 205
PIPE - COOLANT				CH10287	29, 37, 51, 53, 205
CH10768	133			CH10291	137
CH10769	133			CH10568	33
CH11051	217			CH10663	33
PIPE - FUEL				CH10664	33
CH11000	201			CH10666	33
CH11001	17, 25, 203			CH10722	55
CH11002	17, 25, 203			CH10795	16, 25, 125
PIPE - HIGH PRESSURE FUEL				CH11375	37, 51
CH10999	199			CH11410	205
PIPE - LOW PRESSURE FUEL				CH11545	147, 149
CH11328	201			CH11622	135
PIPE - OIL				CH11918	243
CH10786	115			CH11928	37
PIPE - OIL SUCTION				CH12474	135
CH10968	115			T400206	33
PIPE - TURBO OIL DRAIN				T400427	37
CH11977	167			T400428	37
PIPE - TURBO OIL FEED				T400429	37
CH11978	17, 26, 165			PLUNGER	
CH12255	20			CH10738	119
PIPE CLIP				PRIMING PUMP	
CH10943	195, 199, 201			CH10439	205
PISTON COOLING JET					
CH11994	73			RADIATOR	

Parts Index

CH11964	213	CH12791	149
RADIATOR CAP		T401032	24
CH12825	213	SEAL - CYL HEAD COVER	
RADIATOR GUARD		CH12142	17, 26
CH12016	221	SEAL - FRONT END OIL	
RELIEF VALVE		CH11379	16, 25, 41
CH10513	137	SEAL - O RING	
CH12376	109	CH10046	18–19, 23, 27, 139, 205, 207
CH12908	109	CH10047	18, 23
RETAINER		CH10048	18, 23, 205
CH10736	119	CH10050	18, 23
RING		CH10091	19, 23, 137
CH12433	109, 111	CH10098	19, 23
ROCKER ARM ASSEMBLY		CH10119	15, 23, 37
CH11161	49	CH10126	15, 23
CH11165	49	CH10131	205
CH12698	49	CH10132	15, 23, 225, 229, 235
T400223	49	CH10133	37, 57, 137, 225, 229
T400224	49	CH10135	15, 23
ROCKER SHAFT		CH10146	15, 23, 29, 37, 51, 53, 225
CH10685	49	CH10147	15, 23
CH12695	49	CH10161	15, 24
ROLLER BEARING		CH10201	15, 24
CH10558	147, 149	CH10224	141
CH11027	107	CH10228	15, 24, 113, 235
SCREW		CH10229	15, 24, 49
0748523	195	CH10230	37, 51, 203, 231
2186431	161	CH10316	113, 137
2314H002	219	CH10340	15, 23, 83
2315C066	109, 111	CH10544	133
312039	221	CH10545	149
312050	221	CH10587	19, 23, 43
CH10589	43	CH10590	47
CH10946	75	CH10612	19, 23, 63
CH11076	49	CH10620	15, 23, 63
CH11162	49	CH10657	33
CH11916	49	CH10660	19, 23, 33, 59
CH12701	49	CH10665	15, 24
CV70401	217, 219	CH10667	33
ST29054	151, 153	CH10723	15, 24, 55
ST29802	157	CH10726	55
SEAL		CH10727	16, 25, 55
CH10668I	19, 24	CH10755	17, 25, 135
CH10703	18, 27, 59	CH10766	17, 25, 135
CH10757	133	CH10787	115
CH11352	75	CH10788	115
CH11560	35, 167	CH10816	15, 23, 141
CH12010	15, 19, 23–24, 27, 139, 207	CH10837	205
CH12119	17, 25	CH10839	205
CH12140	17, 25	CH10840	199, 201, 203
CH12233	17, 25	CH10870	227, 229
CH12378	109	CH10875	235
CH12530	17, 26	CH11079	49
CH12613	15, 24	CH11102	121
CH12721	15, 27	CH11139	139
		CH11479	51, 165
		CH11498	219

CH11562	167	SEAL - WATER PUMP	
CH11568	18, 26, 147	CH10552	147
CH11573	15, 23, 113	CH10554	147, 149
CH11614	185	CH11941	147
CH11619	17, 25, 135	SEAL KIT	
CH11621	15, 23, 135	KRP1643	85
CH11880	17, 25, 37, 55, 197, 205	SEALING RING	
CH11905	115	CH10838	205
CH11906	19, 23, 115	CH10989	24
CH12132	15, 23	SEAT	
CH12147	19, 23	CH10715	55
CH12209	17, 25	SHAFT	
CH12229	19, 23	CH10862	119
CH12231	17, 25	CH11546	147
CH12238	18, 26	CH11942	147, 149
CH12240	15, 23	CH12391	109
CH12318	18, 27	CV17729	101
CH12356	227, 229	SHAFT KIT	
CH12384	109	CH10623	65
CH12437	15, 24	CH10876	61
CH12480	19, 23	SLEEVE	
CH12526	19, 23	CH10708	57
CH12528	17, 25	CH11311	55
CH12577	18, 26	CH12582	55
CH12649	17, 26	CV17765	101
CH12658	15, 23	SMALL END BUSH	
CH12661	15, 24	CV60967	71
CH12722	15, 23	SNAP RING	
T400188	51, 165, 205	CH10581	47
T400222	141	SOCKET	
T401445	197	CH11170	243
T406205	17, 26, 29, 51, 205	CH11171	243
T409314	17, 25, 29, 235	SPACER	
T409315	17, 25	CH10108	81
SEAL - OIL		CH10662	33
CH10674	15, 23, 31	CH10756	193
CH10677	16, 25, 31	CH10776	193
CH11179	16, 24, 31	CH10792	85
CH12442	19, 25	CH10867	227, 229
SEAL - REAR END OIL		CH11035	157
CH10782	87	CH11316	171
CH11304	87	CH11896	161, 171
SEAL - ROCKER BOX		CH11983	129
CH12459	17, 26	CH12379	109
SEAL - ROCKER BOX COVER		CH12383	109
CH11353	15, 24, 39	CH12891	161
SEAL - SUMP		OE49437	157
CH10887	113	SPEED SENSOR	
SEAL - THERMOSTAT HOUSING		CH12003	227
CH10056	18, 23, 135	CH12004	229
CH10770	16, 25, 135	SPRING	
CH12165	17, 25	CH10737	119
CH12166	17, 26	CH10819	137
SEAL - TIMING CASE COVER		SPRING WASHER	
CH12441	19, 27	CV70395	217, 219
SEAL - VALVE STEM		STARTER MOTOR	
CH11486	55	CH11089	93

Parts Index

CH12405	93	TURBOCHARGER	
CH12807	93	CH11947	169
STARTER MOTOR - EXCHANGE		TURBOCHARGER - EXCHANGE	
R/CH12807	93	R/CH11946	18
STARTER RING			
CH10065	89	VALVE	
STRAINER		CH10457	205
CH11634	147	CH10836	205
CH12680	149	CV4178	175
STUD		VALVE COLLET	
CH10371	15	CH10019	55
CH10578	81	VALVE GUIDE	
CH10624	67	CH10724	55
CH10772	193	VALVE SEAT INSERT	
CH10775	193	CH10731	55
CH10952	77	CH10732	55
CH10953	79	T400215	55
CH11033	107	T400216	55
CH12160	15	T403327	55
CH12764	47	T403328	55
T400180	193	T403329	55
SUMP		T403330	55
CH11846	113	VALVE SPRING INNER	
SUMP ADAPTOR		CH11489	55
CH11455	113	VALVE SPRING OUTER	
SUMP DRAIN PLUG		CH11487	55
CH12757	113	CH12798	55
SWITCH		VIBRATION MOUNT	
CV25001	215	CH10272	81
CV69938	217		
		WASHER	
TEMPERATURE SENSOR		0920004	161, 173
KRP1687	231	0920007	91, 107
KRP1688	225	2131A010	107
TENSIONER ARM		2131A012	99, 101
CH11024	101	318009	221
CH12832	99	318011	221
T400228	97	CH10058	89, 95
TENSIONER PULLEY		CH10086	205
CH12872	97, 99	CH10099	77, 87, 211, 245
CV17732	101	CH10100	223
THERMOSTAT		CH10102	19
CH11620	17, 26, 135	CH10255	35, 47, 79, 105, 115, 129, 141, 165, 171, 185, 199, 201, 205, 233
THERMOSTAT HOUSING		CH10277	81, 205, 223, 227, 229
CH10765	135	CH10279	81
THERMOSTAT KIT		CH10541	35, 47, 79, 87, 115, 117, 119, 121, 123, 133, 137, 141, 171, 193, 199, 201, 205, 209, 223, 235
KRP1645	135	CH10593	47
THRUST WASHER KIT		CH10610	61
KRP3206	19, 41	CH10615	65, 67, 79, 115, 241
TIMING CASE		CH10672	31
CH11615	79	CH10711	57
CH11667	79	CH10716	55
TIMING COVER		CH10916	165
CH11848	75		
TOOL			
CH11169	243		

CH11485	55
CH11604	97
CH11650	143
CH11651	143
CH11933	81
CH12380	109
CV17731	101
CV70392	217, 219
CV70393	177
CV70394	187
CV70605	241
ST15903	99, 101, 195
ST15905	151, 153, 157
ST49857	113
ST49891	219
ST49950	113
WATER PUMP - EXCHANGE	
R/CH12790	18, 26
WATER PUMP GEAR	
CH11544	147, 149
WATER PUMP KIT	
KRP1644	147
KRP1678	147
KRP1715	149
WIRING HARNESS	
3161C093	161
CH11124	241
CH11985	223
CH12042	241
WOODRUFF KEY	
CH10005	61

Perkins Sales

Americas

North America

1600 W Kingsbury St
Seguin
Texas 78155
United States
Toll free number: 1-888-PERK-ENG

South America

Rua Dr. Chucri Zaidan, 1240
Golden Tower – 17th Floor
São Paulo – SP CEP 04711-130
Brazil
Tel: +55 11 2109 2038

Asia

China

20/F Lei Shing International Plaza
1319 West Yan'an Road
Shanghai 200050
China
Tel: +86 21 22160774
Fax: +86 21 52136624

India

Floor 6, Tower 'B' Prestige Shantiniketan
The Business Precinct, Whitefield Main Road
Bangalore 560048
India
Email: IPSD_India@perkins.com

Japan

Ocean Gate Minato Mirai 12F
3-7-1 Minatomirai, Nishi-ku, Yokohama city
Kanagawa, 220-0012
Japan
Tel: +81 45 682 3579
Fax: +81 45 682 3690

Asahi Seimei Matsumoto Fukashi building 3F
1-1-15 Fukashi, Matsumoto city
Nagano, 390-0815
Japan
Tel: +81 263 87 2003
Fax: +81 263 39 1682

Korea

11F, Songchon Building, 503
Nonhyeon-ro, Gangnam-gu
Seoul 06132
Korea
Tel: +82 10 8669 8358

Singapore

14 Tractor Road
Singapore 627973
Tel: +65 6828 7469
Fax: +65 6828 7414

Europe, Middle East and Africa

Peterborough, PE1 5FQ
United Kingdom
Tel: +44 1733 583000

www.perkins.com

Copyright © 2019 Perkins Engines Company Limited, all rights reserved. No part of this document may be reproduced in any form or by any means, without prior written permission of Perkins Engines Company Limited. The information in this document is substantially correct at the time of printing and may be altered subsequently.



THE HEART OF EVERY GREAT MACHINE