

To: ALL ISUZU DISTRIBUTORS AND SERVICE DEALERS
Subject: TIER 3 OIL FILTER HOUSING UPDATE

Isuzu Motors America, LLC Power Train Division (ISZAPT) would like to address an issue with the remote oil filter housings and has made the appropriate changes to fix the over tightened filter issues. This bulletin will outline the changes and the affected engines list.

A machined relief has been added to the oil filter housing to allow better filter fitment which allows easier removal of filters during services. Subsequently, the filter housing has changed and now has a new part number. Listed below are the updated part numbers and the list of affected engines.

Mark	Affected Parts	Current Parts	Q'ty	New Parts	Q'ty
A	FILTER ASM ;oil	898735 8630	1	898375 8631	1
B		898375 8660	1	898375 8661	1

Affected Engines List:

AI-4JJ1XYBW-03
AI-4JJ1XYBW-03C

AH-4HK1XYBW-02
AI-4HK1XYBW-03
AH-4HK1XYBW-04
AH-4HK1XYBW-05
AH-4HK1XYBW-06
AH-4HK1XYBW-01
AH-4HK1XYBW-01A
AH-4HK1XYBW-02A
AI-4HK1XYBW-03A

BI-4HK1XYGV-01
BI-4HK1XYGV-01A
BI-4HK1XYGV-02
BI-4HK1XYGV-02A
BI-4HK1XYGV-03
BI-4HK1XYGV-04

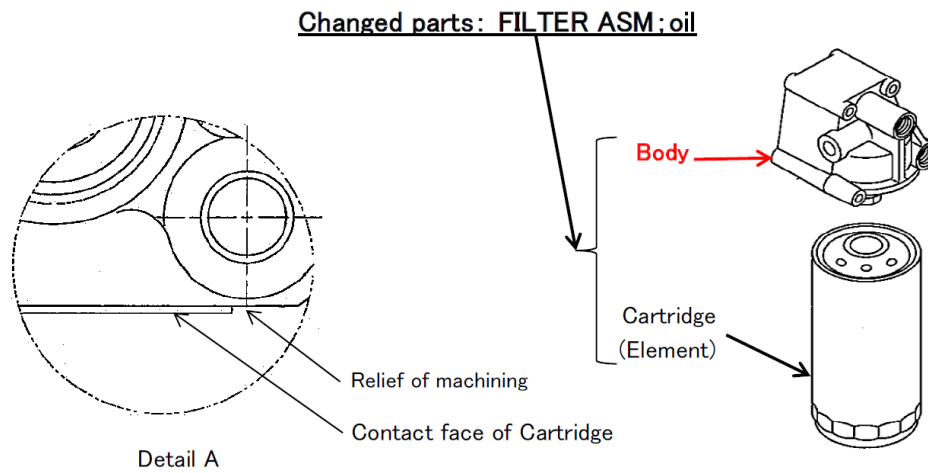
AR-4HK1XABW-01
AQ-4HK1XABW-02

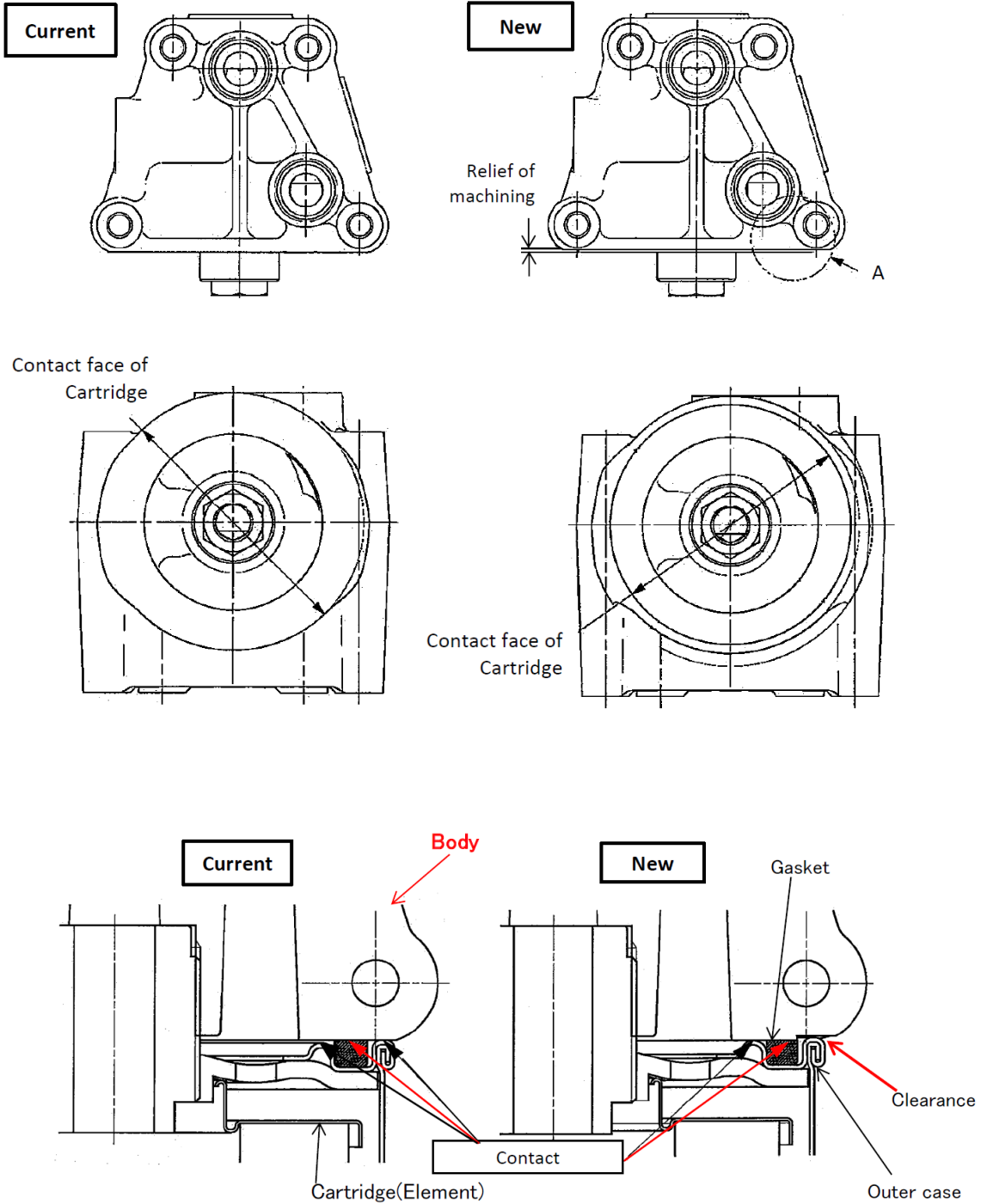
AH-6HK1XYBW-01
AH-6HK1XYBW-01A
AH-6HK1XYBW-01E
AH-6HK1XYBW-01G
AH-6HK1XYBW-02
AH-6HK1XYBW-02A
AH-6HK1XYBW-03
AH-6HK1XYBW-03A
AH-6HK1XYBW-04
AH-6HK1XYBW-05

AA-4BG1TCW
AA-4BG1TCW-A
AA-4BG1TCW-D
BB-4BG1TRW-01
BB-4BG1TRW-01A
DD-4BG1TRW
DD-4BG1TRW-A
DD-4BG1TRW-D
DD-4BG1TRW-02
EE-4BG1TRV
EE-4BG1TRV-A
EE-4BG1TRV-D

BB-6BG1TRW
BB-6BG1TRW-A
BB-6BG1TRW-D
CC-6BG1TRW-01
CC-6BG1TRW-01A
CC-6BG1TRW-01D
BB-6BG1TRW-02
BB-6BG1TRW-02A
BB-6BG1TRW-02D

BH-6HK1XYGV-01
BH-6HK1XYGV-01A
BH-6HK1XYGV-02
BH-6HK1XYGV-02A
BH-6HK1XYGV-03
BH-6HK1XYGV-04





Best Regards,

Isuzu Service Team