

Technical Service Bulletin Number	Revision Level	Date	Group Number
TSB140021			



## Technical Service Bulletin

### Subject

---

ISC, ISL, QSC, and QSL ECM Cooler Plate Check Valve Compatibility

### Warranty Statement

---

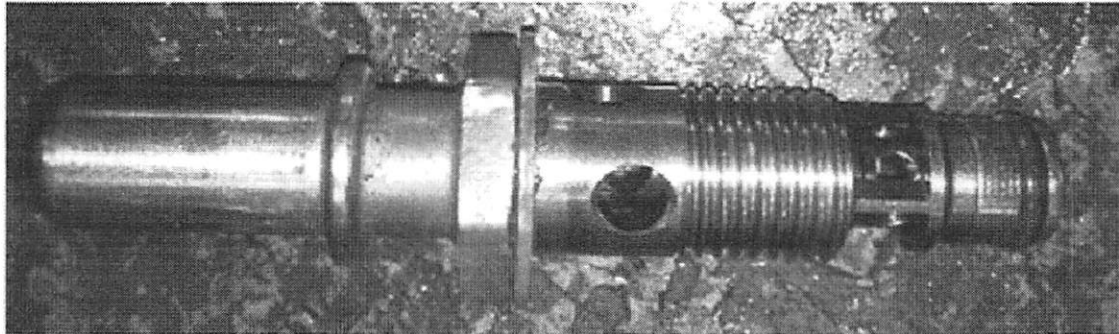
The information in this document has no effect on present warranty coverage or repair practices, nor does it authorize TRP or Campaign actions.

### Contents

---

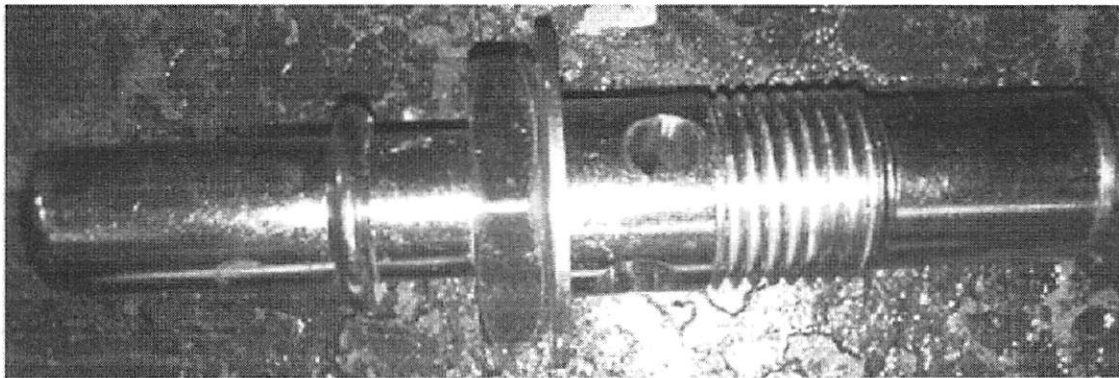
Engine control module (ECM) cooler plate check valve, Part Number 3967782, has been reinstated for service use. Check valve, Part Number 3967782, had previously been obsoleted and superseded to Part Number 4933571, but they are **not** interchangeable. Confirm the ECM cooler part number prior to ordering the replacement check valve.

Table 1: ECM Cooler Plate and Check Valve Compatibility	
ECM Cooler Part Number	Check Valve Part Number
3970204	3967782
4997021	4933571



06901020

Figure 1: ECM Cooler Plate Check Valve, Part Number 3967782.



06901021

Figure 2: ECM Cooler Plate Check Valve, Part Number 4933571.

## Document History

---

Date	Details
2014-2-17	Module Created

---

**Last Modified: 20-Feb-2014**

---

Copyright © 2000-2010 Cummins Inc. All rights reserved.

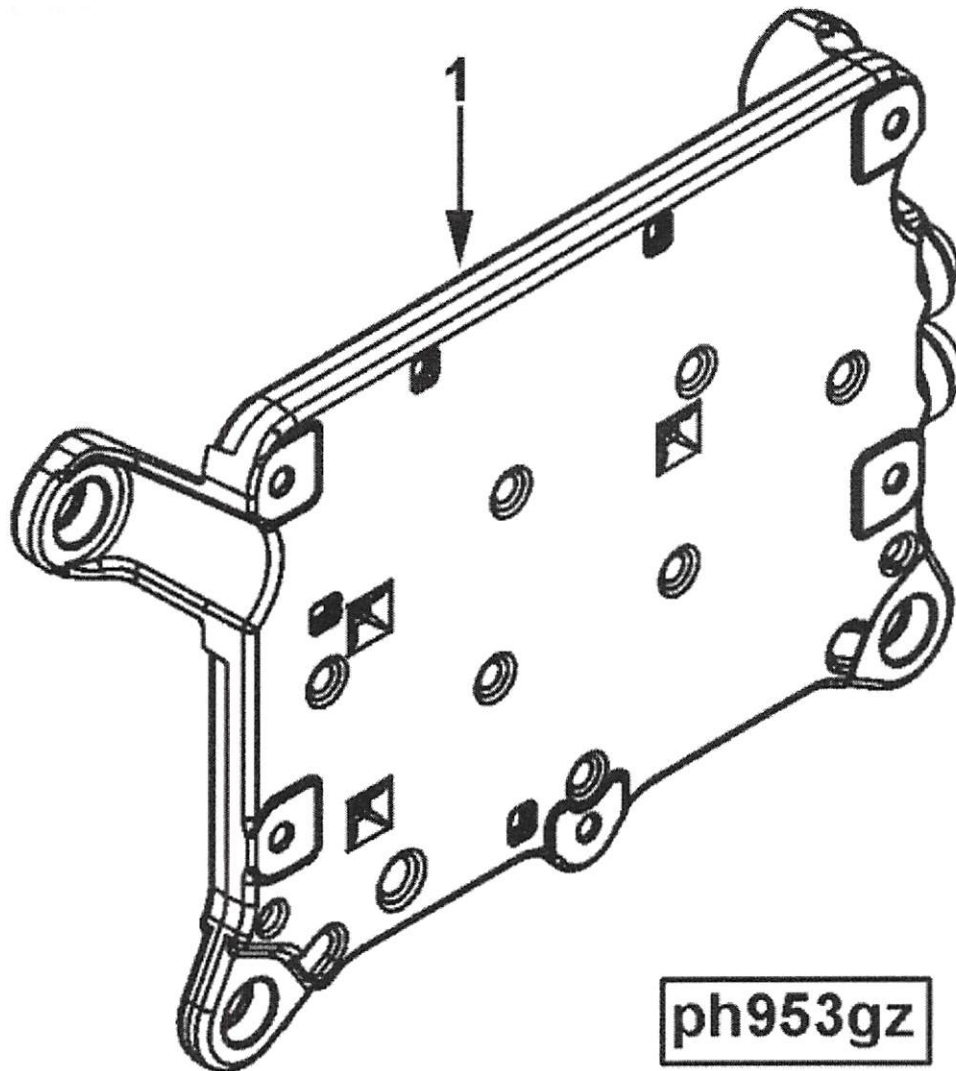
↑ ENG SN.



User: 214132mcommins

## Parts Catalog - Option Detail

Electronic Parts Catalog - Option Detail				
Option	Group	Graphic	Film Card	Date
PH9111	05.06	ph953gz	Z	06-MAY-04
Engines	C GAS PLUS CM556, ISC CM2150, ISC8.3 CM2250, ISL G CM2180, QSL9 CM2250, QSC8.3 CM554, ISL9 CM2250, QSL9 CM554, C8.3 G CM558, G8.3 CM558, ISL9 CM2350 L101, G8.3, QSL9 CM850, L8.9, C8.3 G, QSL9 G CM558, ISC CM554, QSC8.3 CM2250, ISC CM850, ISL CM554, GTA8.3 CM558, L GAS PLUS CM556, QSC8.3 CM850, ISL CM2150, ISL CM2150 SN, ISL CM850			



SMALL | MEDIUM | LARGE

Cart	Ref No	Part Number	Part Description	Required	Remarks

View My Cart					
		PH9111	ELECTRONIC CONTROL COOLER		MR - COOLER, ELECTRONIC... (More)
					CONTROL
					Engine Design Phase: Pegasus
					Engine Family: C & L Series
<input type="checkbox"/>	1	3970204	Cooler, Electronic Control	1	

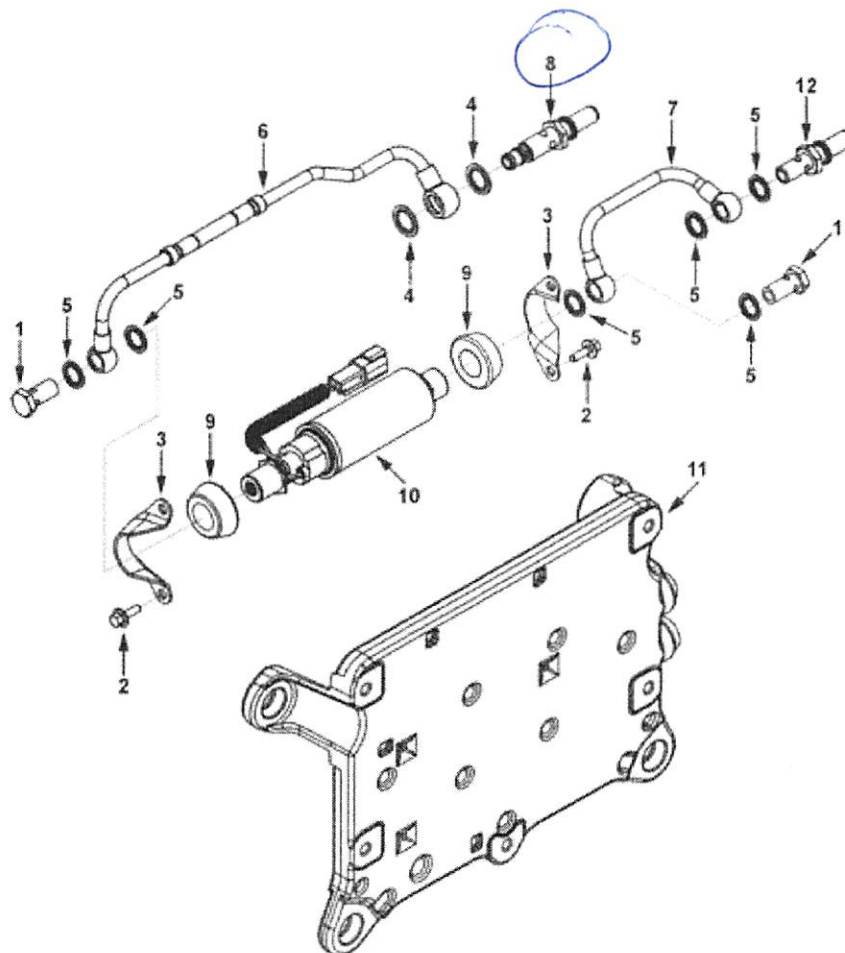
© 2000-2011 Cummins Inc , Box 3005, Columbus, IN 47202-3005 U.S.A.  
[Terms of Use and Disclaimers](#) | [Feedback / Help](#) | [Recommended System Requirements](#)



User: 214132mcommins

## Parts Catalog - Option Detail

Electronic Parts Catalog - Option Detail				
Option	Group	Graphic	Film Card	Date
FS9746-06	06.05	fs959gv	Z	22-SEP-09
<b>Engines</b>	ISC CM2150, C GAS PLUS CM556, ISL8.9 CM2150 L110, ISL G CM2180, ISC8.3 CM2250, QSL9 CM2250, ISL9 CM2350 L111, QSC8.3 CM554, ISL9 CM2250, QSL9 M CM2250 L106, G8.3 CM558, QSL9 CM554, L9.3 L105, QSL9 CM850, G8.3, ISL9 CM2350 L101, QSL9 G CM558, ISC CM554, QSC8.3 CM2250, L8.9, ISC CM850, ISL CM554, QSL9 CM2350 L102, ISL8.9 CM2880 L112, GTA8.3 CM558, 6C8.3, L GAS PLUS CM556, QSC8.3 CM850, ISL CM2150, ISL9 CM2150 SN, ISL CM850			



fs959gv

SMALL | MEDIUM | LARGE

Cart	Ref No	Part Number	Part Description	Required	Remarks
<input type="button" value="View My Cart"/>					
		FS9746-06	Fuel Transfer Pump		MR - FUEL TRANSFER PUMP... (More)
					Engine Design Phase: Pegasus
					Engine Cylinders: 6
					Engine Family: C & L Series
					Fuel Transfer Pump Voltage:
					24
<input type="checkbox"/>		4997187	Pump, Fuel Transfer	1	Service As 5260634
<input type="checkbox"/>	1	3903035	Screw, Banjo Connector	2	M12 x 1.50 x 24
<input type="checkbox"/>	2	3913638	Screw, Hex Flange Head Cap	4	M6 x 1.00 x 16
<input type="checkbox"/>	3	3955110	Bracket, Transfer Pump	2	
<input type="checkbox"/>	4	3963991	Washer, Sealing	1	M16
<input type="checkbox"/>	5	3963990	Washer, Sealing	6	M12
<input type="checkbox"/>	6	4935040	Tube, Fuel Supply	1	
<input type="checkbox"/>	7	3966320	Tube, Fuel Supply	1	
<input type="checkbox"/>	8	4933571	Valve, Check	1	16mm
<input type="checkbox"/>	10	5260634	Pump, Fuel Transfer	1	
<input type="checkbox"/>	9	3955114	Isolator, Vibration	2	
<input type="checkbox"/>	11	4997021	Cooler, Electronic Control	1	
<input type="checkbox"/>	12	3972088	Connection, Adapter	1	

© 2000-2011 Cummins Inc., Box 3005, Columbus, IN 47202-3005 U.S.A.  
[Terms of Use and Disclaimers](#) | [Feedback / Help](#) | [Recommended System Requirements](#)

WRONG # PER TSB FOR THE COOLER # PREVIOUSLY LISTED 3970204  
 CORRECT IF COOLER PLATE IS 4997021