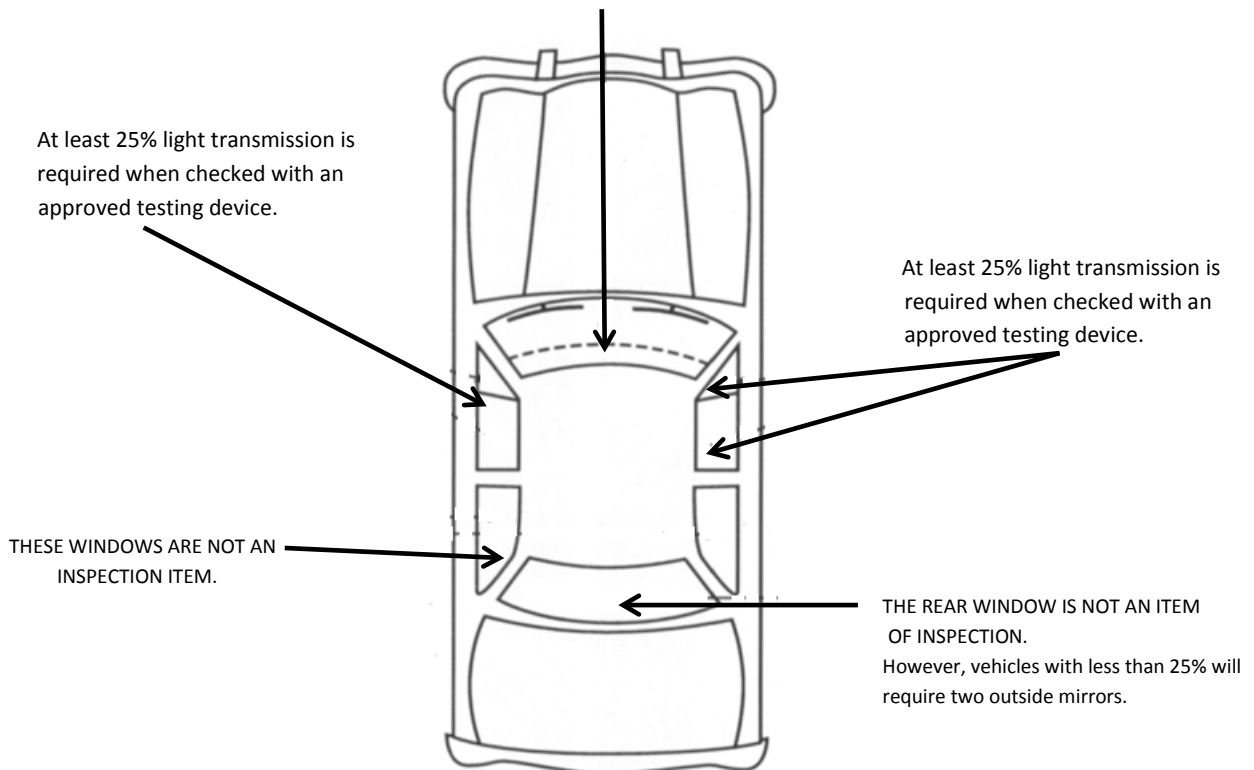


SUNSCREENING DEVICES

**INSPECTION PROCEDURE FOR SUNSCREENING DEVICES
ON MOTOR VEHICLES**

Glass coating or suncreening may not exceed downward below the AS-1 line;
or not more than 5 inches from top of the windshield.



EXEMPTIONS:

1. This inspection procedure does not apply to a vehicle that is used to transport passengers for a fee, (i.e., Taxi, Limousine, etc.)
2. This inspection procedure does not apply to a vehicle that is maintained by a law enforcement agency and used for law enforcement purposes.
3. For medical reasons an exemption is available for the driver or passenger with a physician’s written medical statement and a letter of authorization from the Department. An application by the individual seeking exemption accompanied with the physician’s written medical statement must be addressed to:

Texas Department of Public Safety
Regulatory Services Division, Compliance & Enforcement Service
Window Tint Medical Exemption
P. O. Box 4087
Austin, Texas 78773-0543

The letter and/or certificate of authorization for the exemption from the Department of Public Safety must be presented for inspection. It is not a violation to sell or offer for sale a vehicle with uncertified window film.