

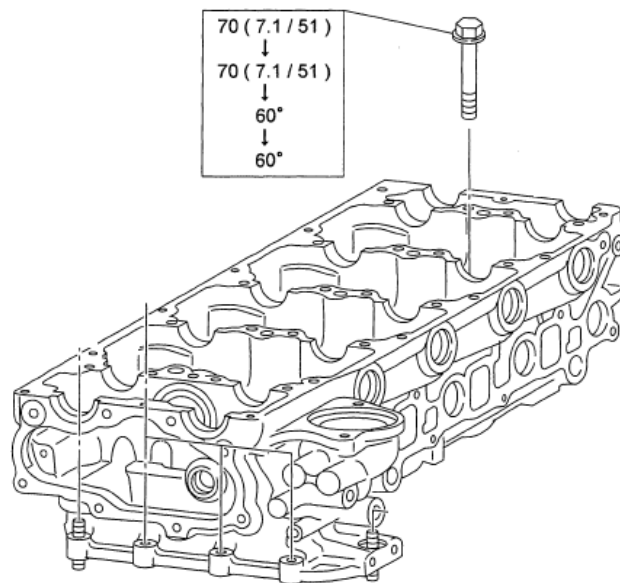


To: ISUZU POWERTRAIN DISTRIBUTOR AND DEALER PERSONNEL

SUBJECT: 4JJ1X CYLINDER HEAD BOLT TORQUE PROCEDURE

Isuzu Motors America, LLC PowerTrain Division (ISZAPT) is providing the installation procedure for the 4JJ1X cylinder head bolt torque below in an effort to further clarify and reinforce the content as provided in the workshop manual.

Per the Isuzu 4JJ1X workshop manual, the cylinder head bolts are to be installed and torqued to an initial 70 Nm (7.1 kg * m / 51 lb-ft) and then are to be reconfirmed with a second torque reading of 70 Nm (7.1 kg * m / 51 lb-ft). Following the proper torque procedure, the bolts are then to be angularly torqued to an initial 60 degrees and again to an angular torque of 60 degrees, thus creating a total of 120 degrees of angular torque. Please refer to the 4JJ1X workshop manual IDE-2430 regarding the cylinder head bolt installation procedure.



Best Regards,

Dan Luke
Service Specialist